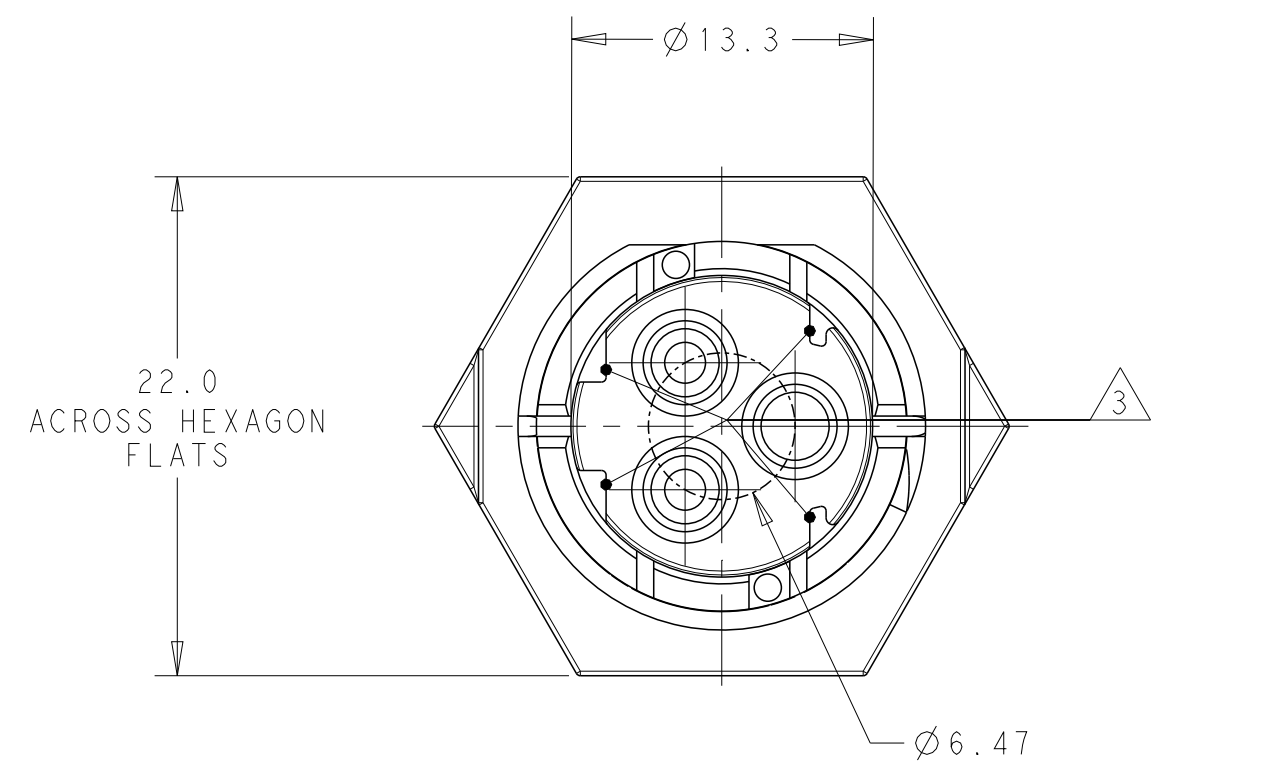


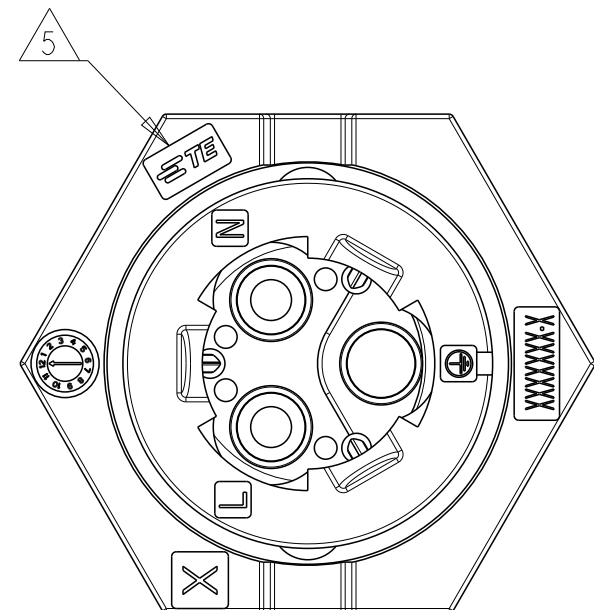
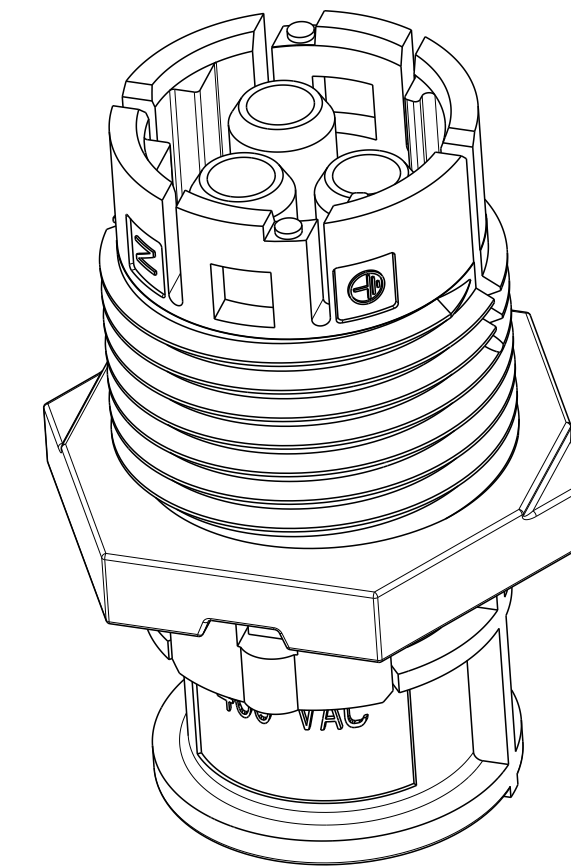
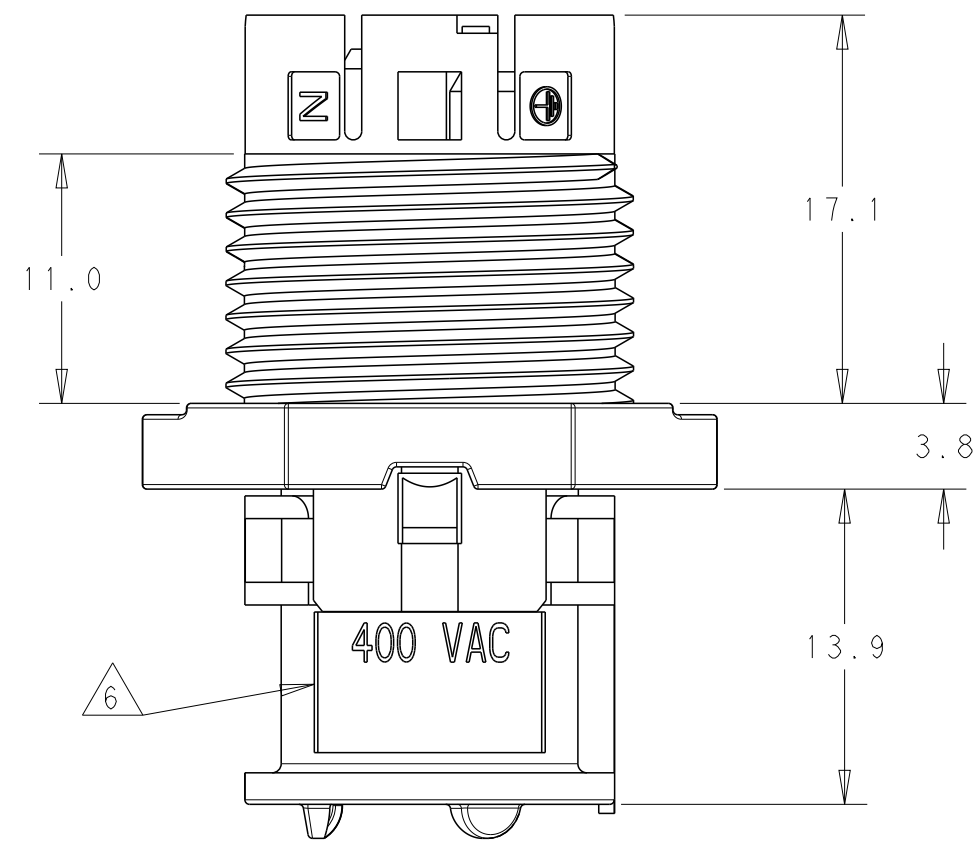
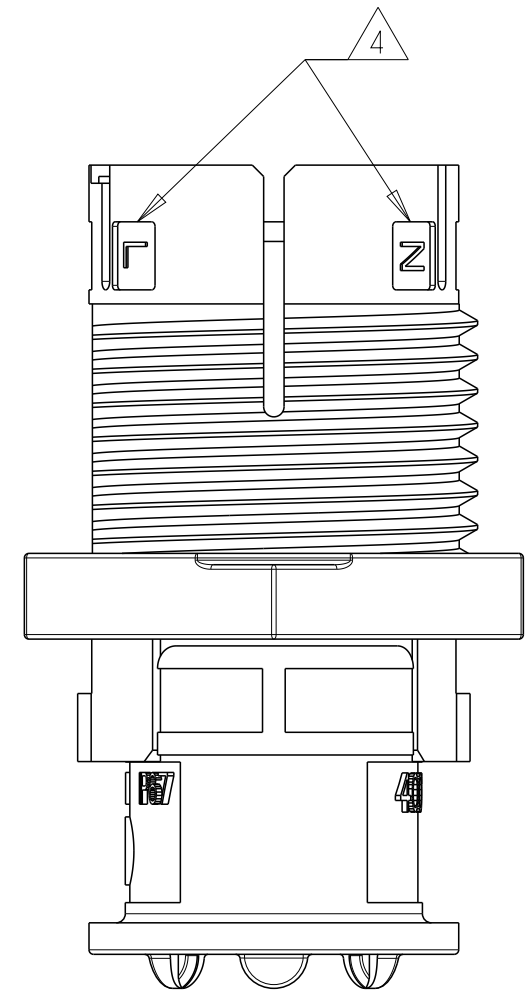
THIS DRAWING IS UNPUBLISHED. RELEASED FOR PUBLICATION 20
 © COPYRIGHT 20 BY - ALL RIGHTS RESERVED.

REVISIONS				
P	LTR	DESCRIPTION	DATE	APVD
A		REVISED AS PER ECR-15-005925	22APR2015	RS JL



NOTES:

- 1. MATERIAL: GLASS FILLED PBT, COLOR: BLACK
- 2. MUST COMPLY WITH DIRECTIVE 2002/95/EC (ROHS)
- 3. ALL POLARIZATION KEYS SHOWN FOR REF ONLY.
- 4. CIRCUIT I.D.
- 5. TE LOGO
- 6. VOLTAGE RATING
- 7. THIS PRODUCT HAS NOT COMPLETED VALIDATION TESTING



C	PANEL MOUNT SOCKET SEALED NECTOR 3 POSITION	2213468-3
B	PANEL MOUNT SOCKET SEALED NECTOR 3 POSITION	2213468-2
A	PANEL MOUNT SOCKET SEALED NECTOR 3 POSITION	2213468-1
POLARIZATION TYPE	DESCRIPTION	PART NUMBER

DIMENSIONS:		TOLERANCES UNLESS OTHERWISE SPECIFIED:		DWN J. SHAFFER 20MAR2014		CHK M. LUKSIC 20MAR2014		APVD M. LUKSIC 20MAR2014		NAME	
mm	0 PLC ±	1 PLC ±0.3	2 PLC ±0.20	3 PLC ±	4 PLC ±	108-133014	114-32111	SIZE A2	CAGE CODE -	DRAWING NO. C-2213468	RESTRICTED TO -
MATERIAL TBD	FINISH -	ANGLES ±3°	FINISH -	Customer Drawing		WEIGHT -	SCALE 1:1	SHEET 1 OF 2	REV A		

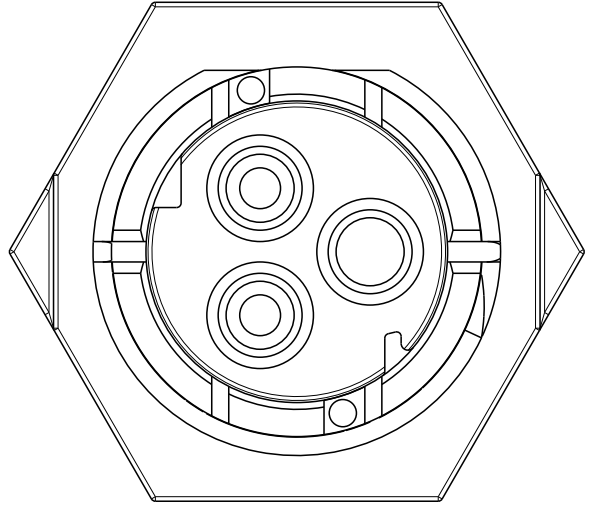
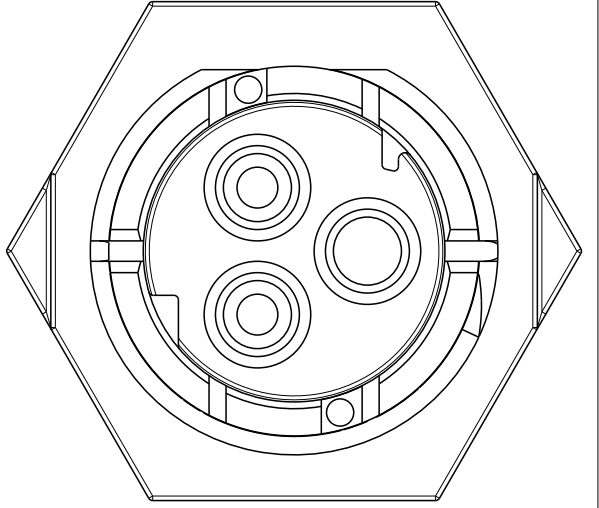
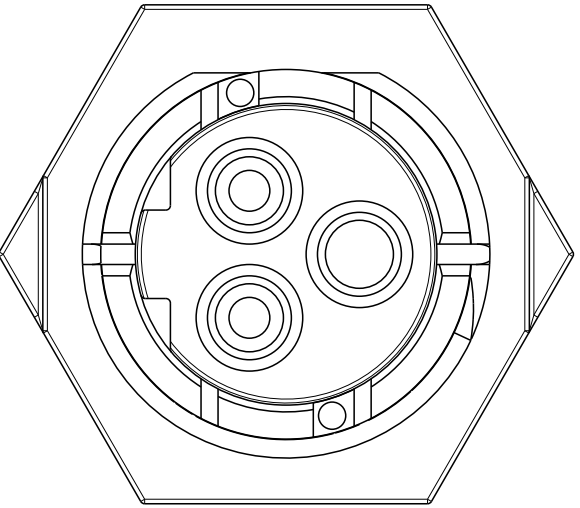


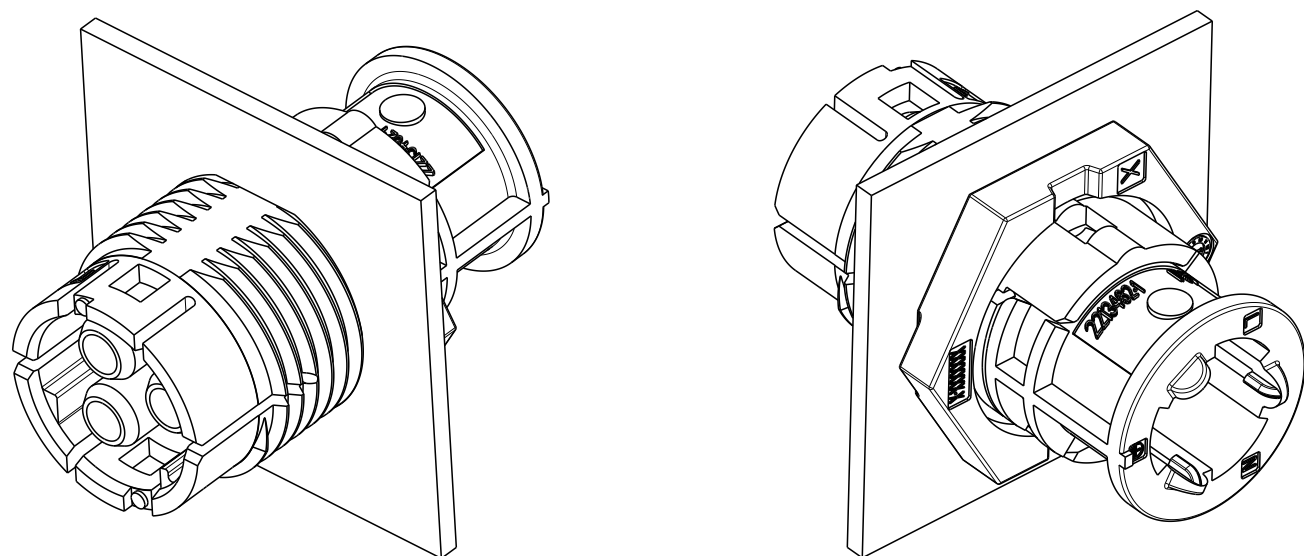
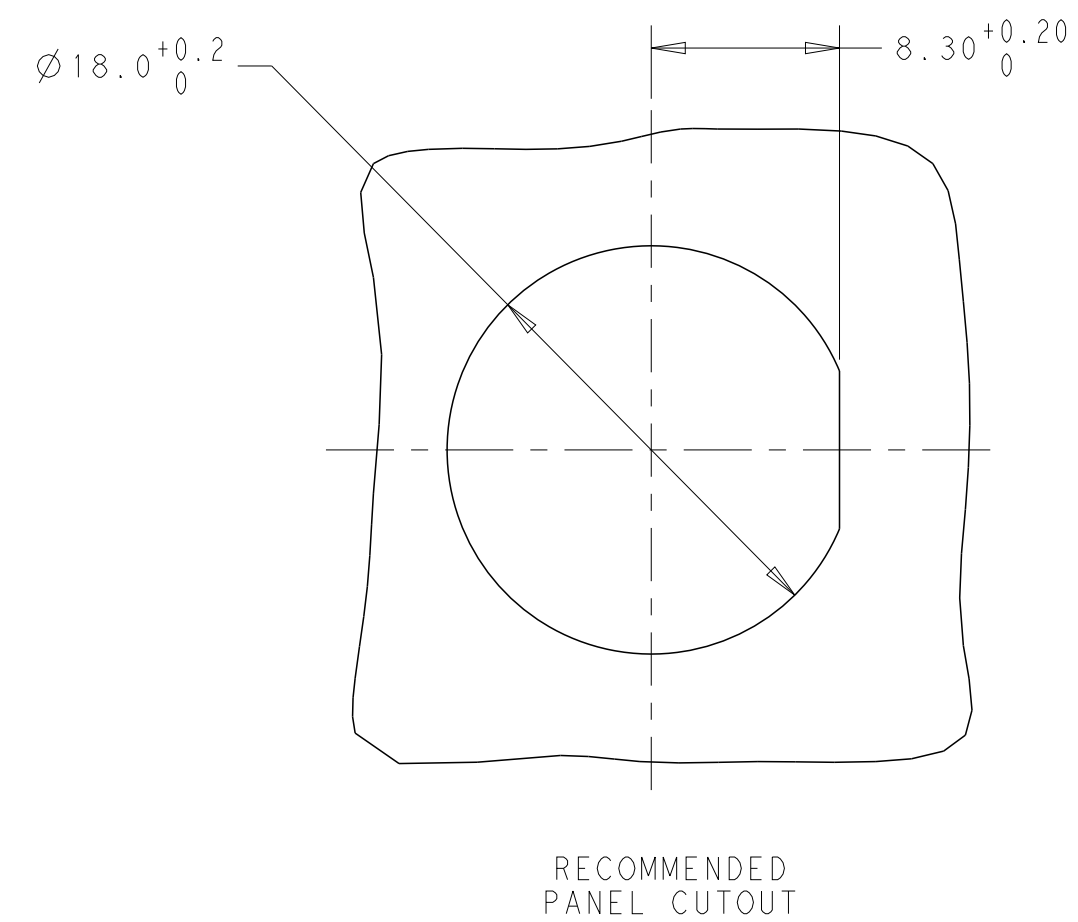
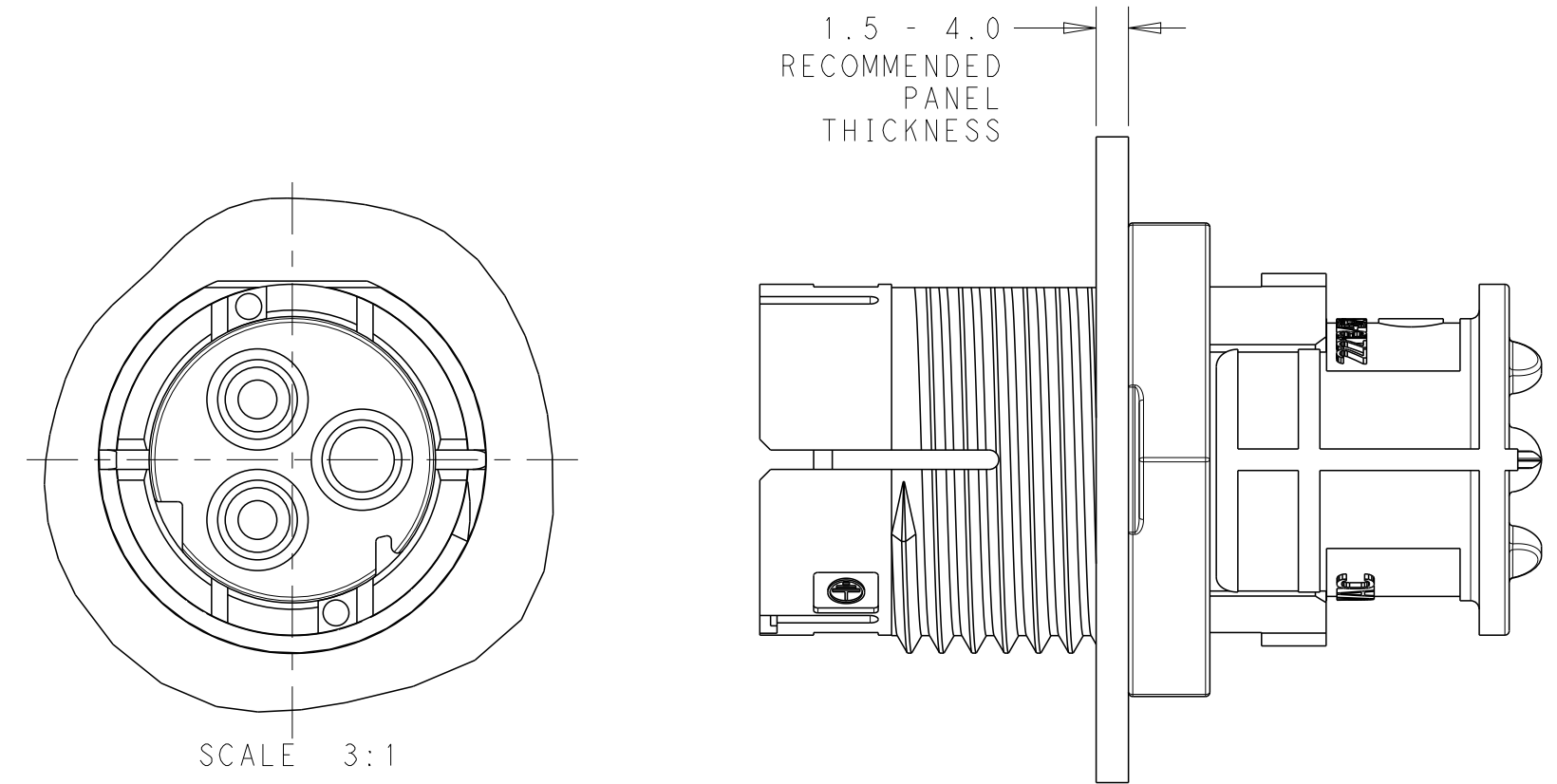
PANEL MOUNT, SOCKET; SEALED NECTOR M 3 POSITION

THIS DRAWING IS UNPUBLISHED. RELEASED FOR PUBLICATION 20
 © COPYRIGHT 20 BY - ALL RIGHTS RESERVED.


REVISIONS				
P	LTR	DESCRIPTION	DATE	APVD
-		SEE SHEET 1	-	-

POLARIZATION TYPES

POLARIZATION TYPE "A"	POLARIZATION TYPE "B"	POLARIZATION TYPE "C"
		
PN 2213468-1	PN 2213468-2	PN 2213468-3



3D VIEWS
FOR REFERENCE ONLY

THIS DRAWING IS A CONTROLLED DOCUMENT.		DWN J. SHAFFER 20MAR2014	 TE Connectivity	
DIMENSIONS: mm		CHK M. LUKSIC 20MAR2014		
TOLERANCES UNLESS OTHERWISE SPECIFIED:		APVD M. LUKSIC 20MAR2014	NAME PANEL MOUNT, SOCKET; SEALED NECTOR M 3 POSITION	
0 PLC ±		PRODUCT SPEC 108-133014	SIZE A2	
1 PLC ±0.3		APPLICATION SPEC 114-32111	CAGE CODE -	DRAWING NO C-2213468
2 PLC ±0.20		WEIGHT -	RESTRICTED TO -	
3 PLC ±		Customer Drawing	SCALE 1:1	SHEET 2 OF 2
4 PLC ±			REV A	
ANGLES ±3°				
FINISH				
MATERIAL TBD				