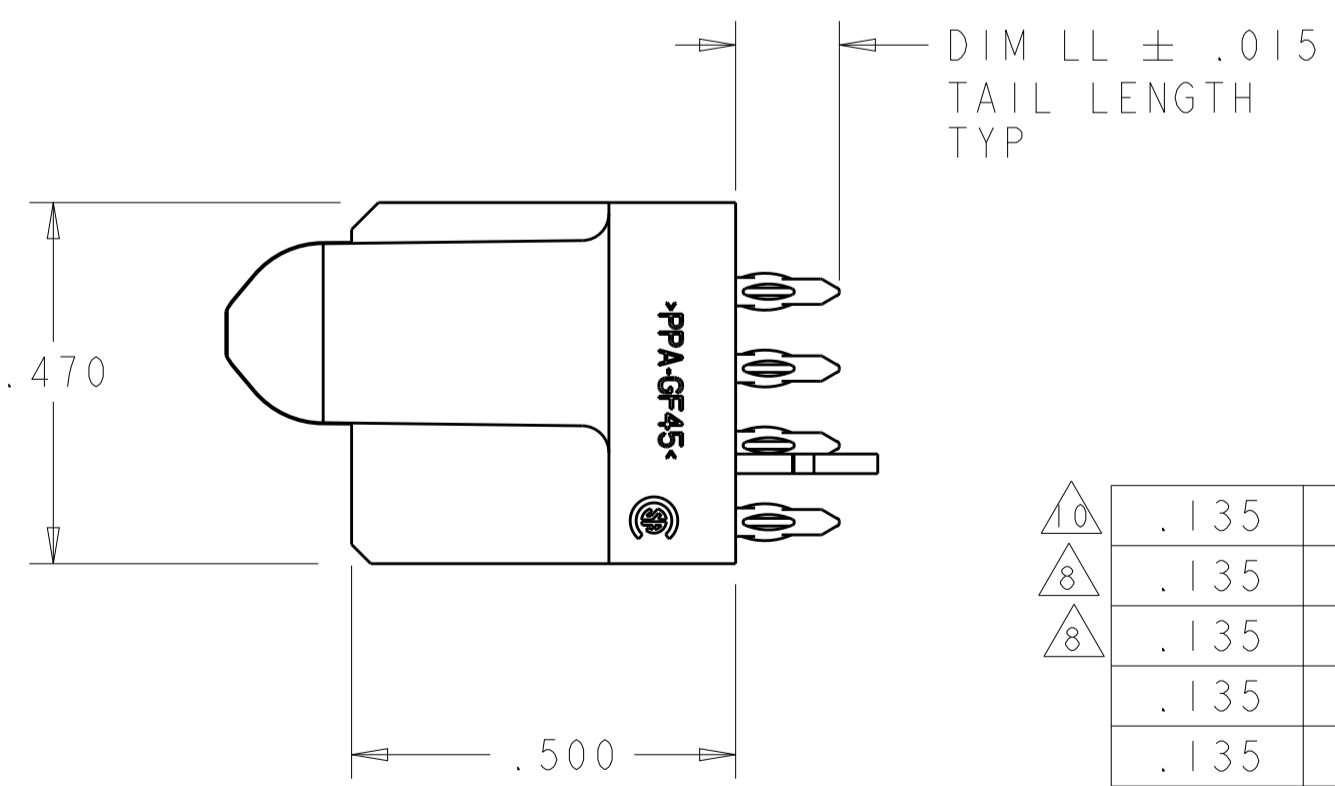
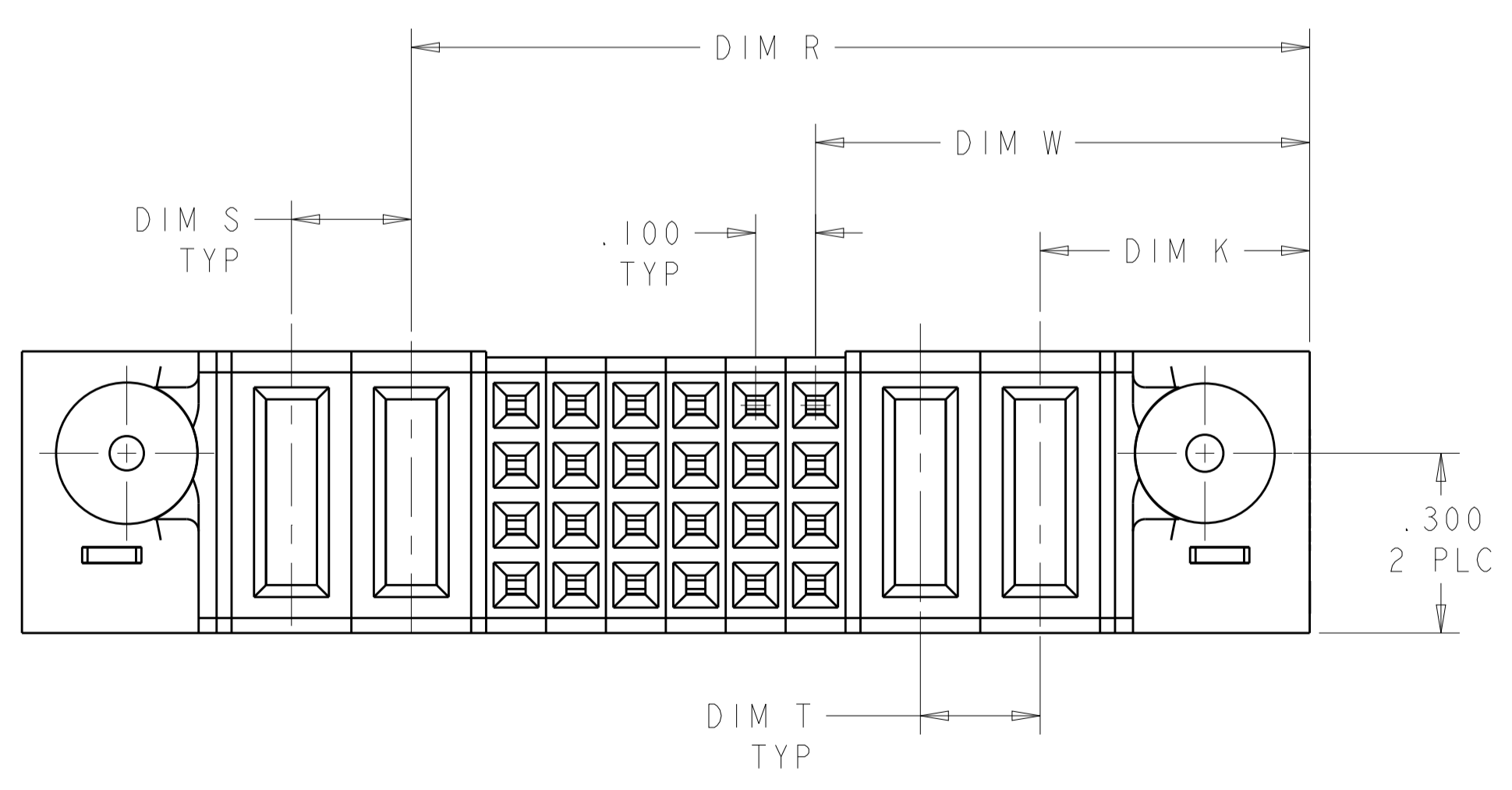
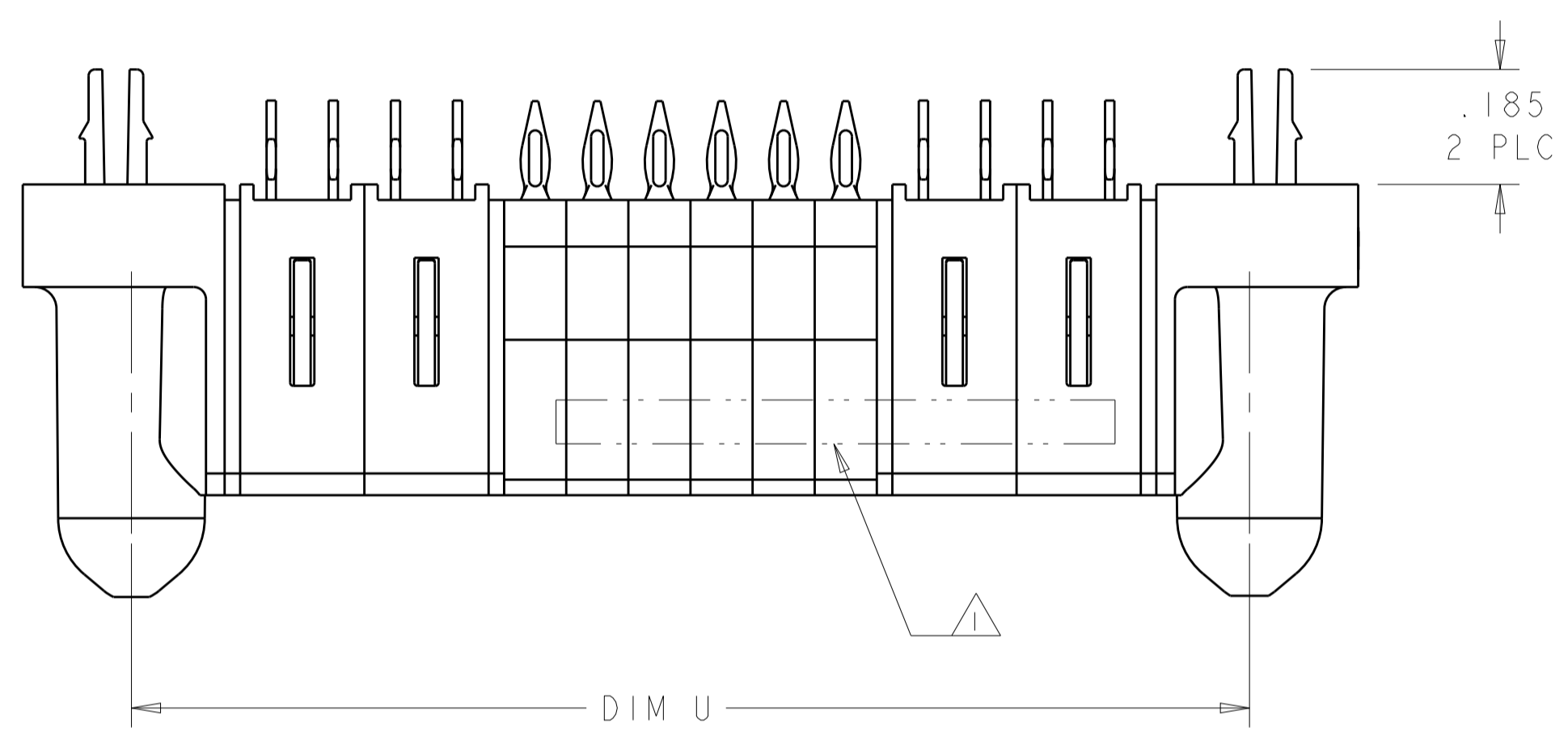
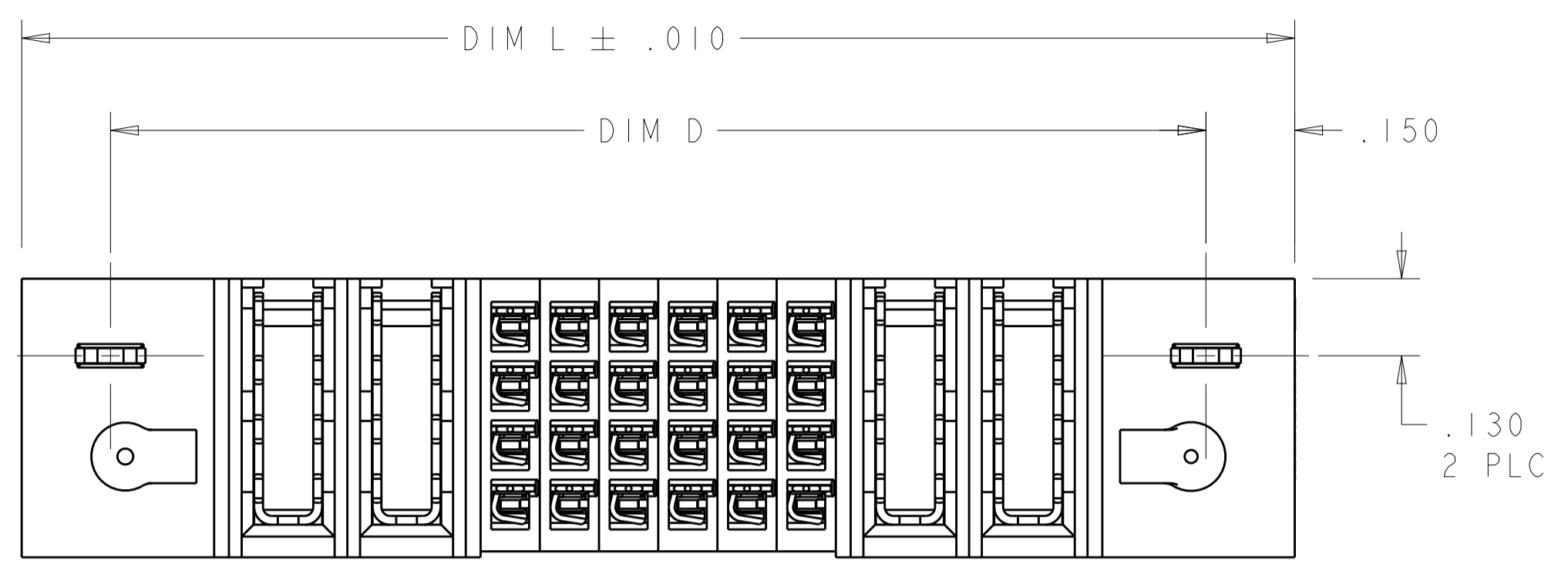


LOC	DIST	REVISIONS					
		P	LTN	DESCRIPTION	DATE	DWN	APVD
ES	00	D4		REV PER ECR-13-004638	20MAR2013	ML	SZ



- ⚠ PART NUMBER, AND DATE CODE MARKED IN AREA SHOWN.
- ⚠ MATERIAL:  
HOUSING - GLASS FILLED HIGH TEMP THERMO PLASTIC, UL94 V-0  
SIGNAL CONTACT - COPPER ALLOY  
POWER CONTACT - HIGH CONDUCTIVITY COPPER ALLOY
- ⚠ CONTACT PLATING: NOBLE METAL PLATING ON CONTACT FUNCTIONAL AREA OF SIGNAL AND POWER CONTACTS.
- ⚠ MECHANICAL CONNECTOR KEEP OUT ZONE.
- ⚠ DATUM AND BASIC DIMENSIONS ESTABLISHED BY CUSTOMER.
- ⚠ PCB - ALL HOLE DIAMETERS ARE FINISHED HOLE SIZES.
- ⚠ PCB - .0453±.0010 DRILLED HOLES PLATED WITH .0003 MIN Sn OVER .001 TO .003 Cu PLATING TO ACHIEVE A .040 HOLE.
- ⚠ NOT RELEASED FOR PRODUCTION.
- ⚠ POWER CONTACT AREA LUBRICATED WITH LUBRICANT.
- ⚠ THE SPECIAL DIMENSION ONLY FOR 1892430-6 (SEE SHEET 2)

⚠	.135	.200	4.725	4.175	.200	2.025	7.600	7.650	7.950	64S+11HDP+20S+15HDP	1892430-6
⚠	.135	.250	1.550	.875	.250	.450	1.900	1.950	2.250	2P + 24S + 2P	1892430-5
⚠	.135	.250	2.550	1.875	.250	.450	3.900	3.950	4.250	6P + 24S + 6P	1892430-4
	.135	.250	1.950	1.275	.300	.475	3.050	-	3.400	3ACP + 24S + 5P	1892430-3
	.135	-	1.425	.700	-	.475	1.575	-	1.925	1P + 24S + 1P	1892430-2
	.135	.200	1.500	.825	.200	.450	1.800	1.850	2.150	2HDP + 24S + 2HDP	1892430-1
	DIM LL	DIM S	DIM R	DIM W	DIM T	DIM K	DIM U	DIM D	DIM L	DESCRIPTION	PART NUMBER

THIS DRAWING IS A CONTROLLED DOCUMENT.

DIMENSIONS: INCHES

TOLERANCES UNLESS OTHERWISE SPECIFIED:

0 PLC	±
1 PLC	±.01
2 PLC	±.005
3 PLC	±.002
4 PLC	±.002

ANGLES: 40°/30°

MATERIAL:

FINISH:

Customer Drawing

DWN: C. ZHOU 11OCT2006  
CHK: SUNY ZHAO 10OCT2006  
APVD: S. YAO

NAME: VERTICAL RECEPTACLE ASSEMBLY PRESS FIT, W/GUIDES MULTI-BEAM XL

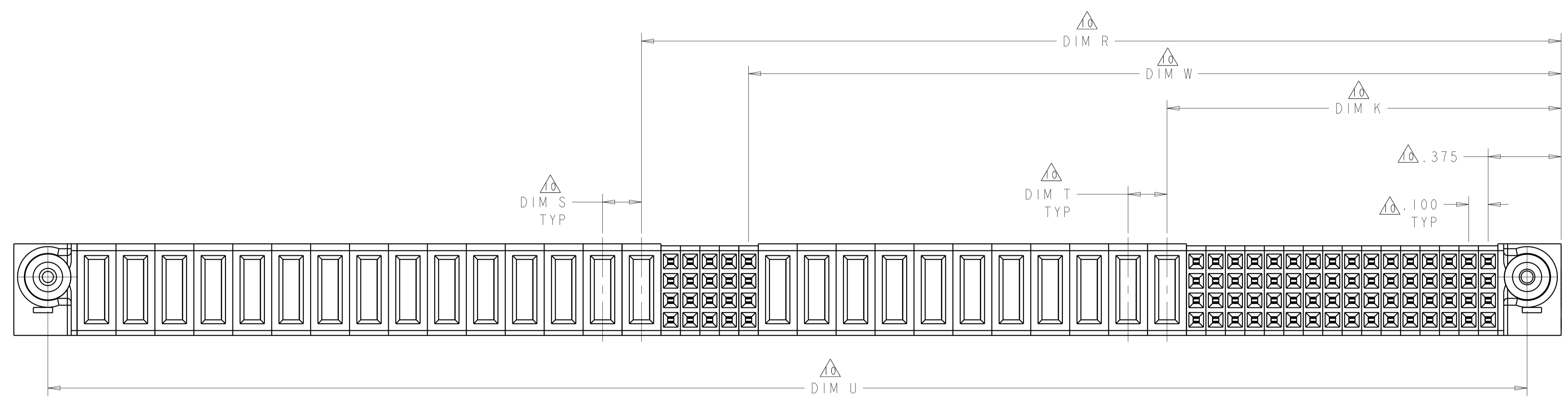
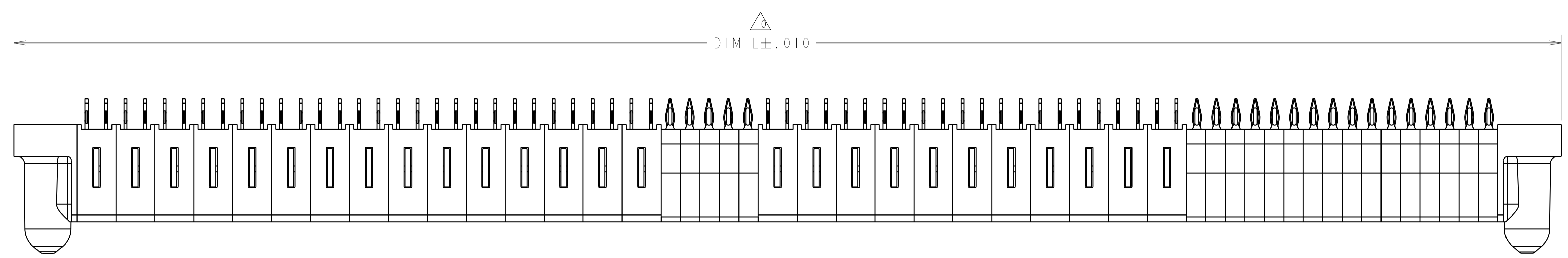
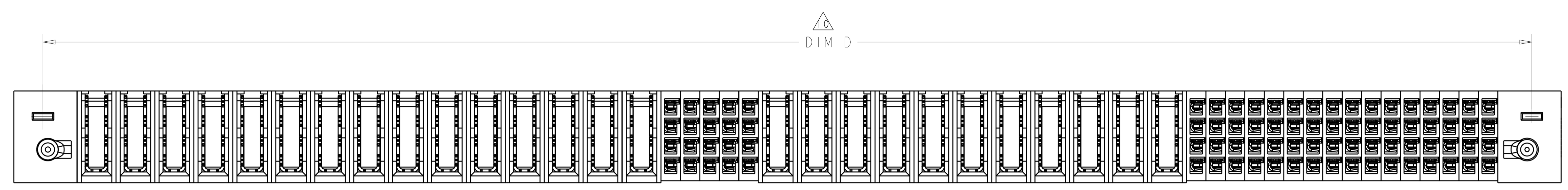
SIZE: 108-1973  
APPLICATION SPEC: 114-13038

WEIGHT: -  
SCALE: 4:1

RESTRICTED TO: A100779C=1892430

SHEET 1 OF 5 REV D4

LOC	DIST	REVISIONS					
ES	00	P	LTN	DESCRIPTION	DATE	DWN	APVD
-	-	-	-	SEE SHEET 1	-	-	-



PART NUMBER 1892430-6  
 UNSPECIFIED DIMENSION REFER TO SHEET 1

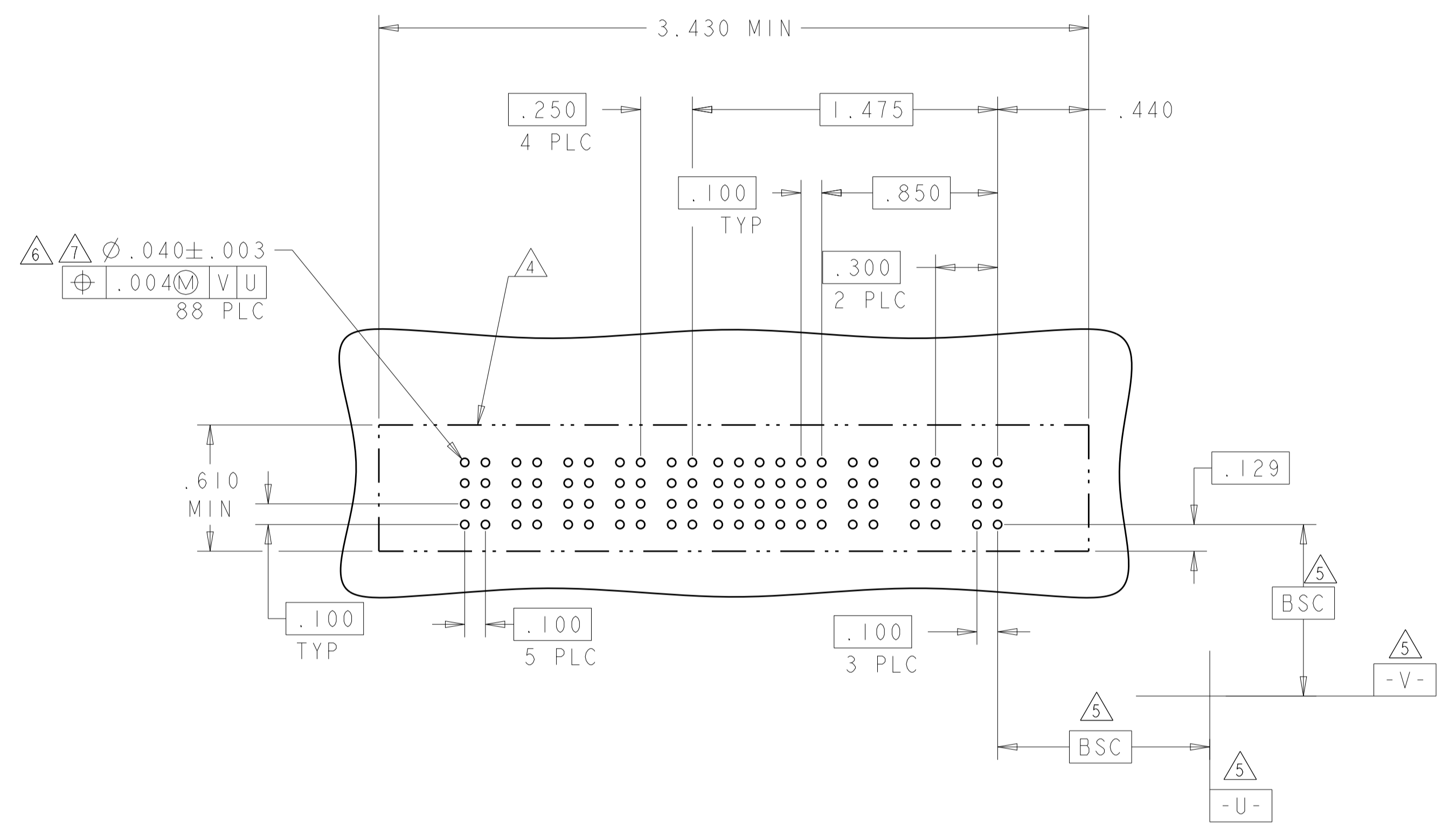
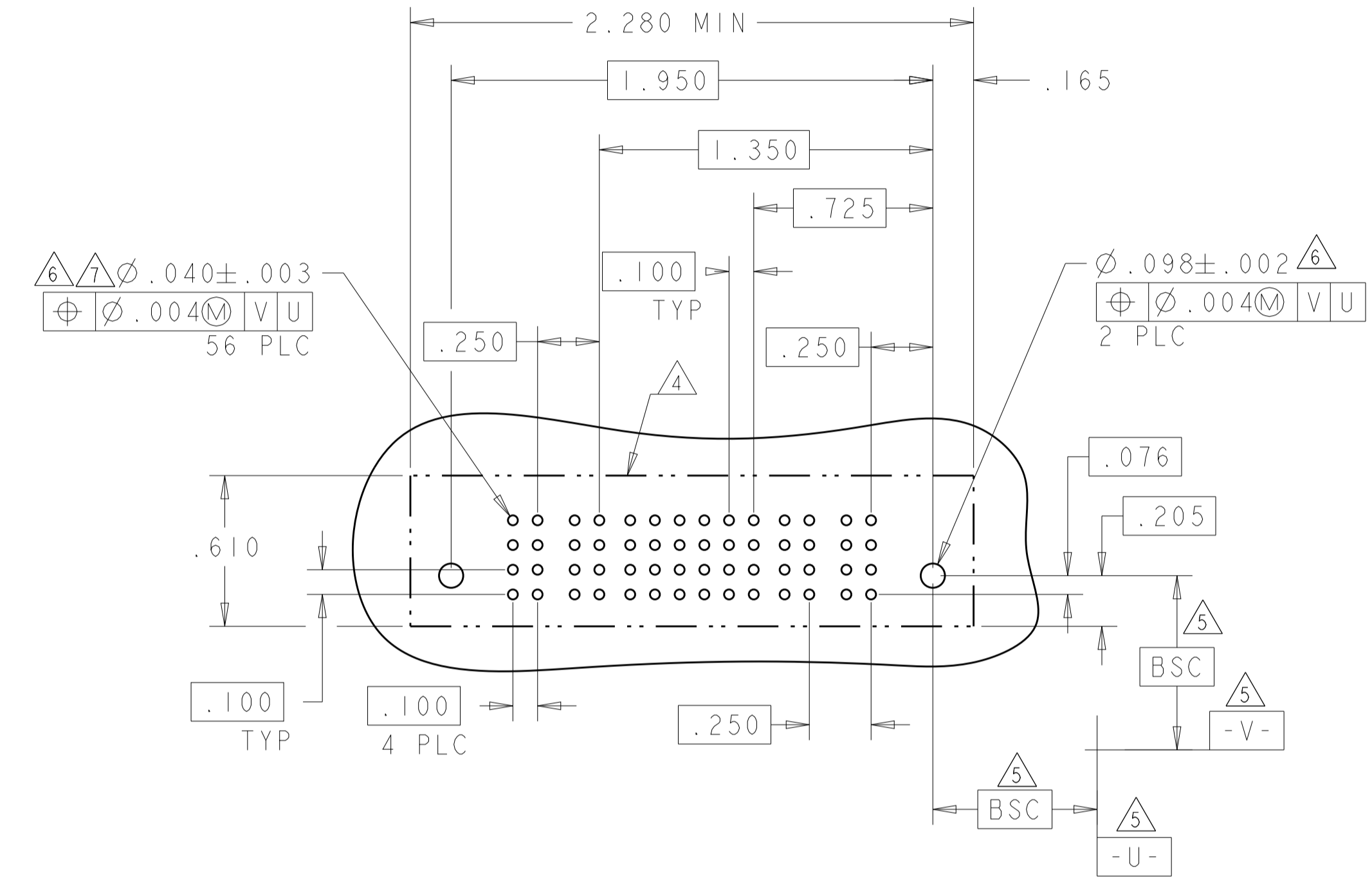
THIS DRAWING IS A CONTROLLED DOCUMENT.		DWN C. ZHOU CHK SUNY ZHAO APVD S. YAO	11OCT2006 10OCT2006 -	TE Connectivity <b>NAME</b> VERTICAL RECEPTACLE ASSEMBLY PRESS FIT, W/GUIDES MULTI-BEAM XL
DIMENSIONS: INCHES 		TOLERANCES UNLESS OTHERWISE SPECIFIED: 0 PLC ±. 1 PLC ±.01 2 PLC ±.01 3 PLC ±.005 4 PLC ±.0020 ANGLES 90°/30°		
MATERIAL -		FINISH -		SIZE CAGE CODE DRAWING NO A100779C=1892430 Customer Drawing
SCALE 4:1			SHEET 2 OF 5	REV D4



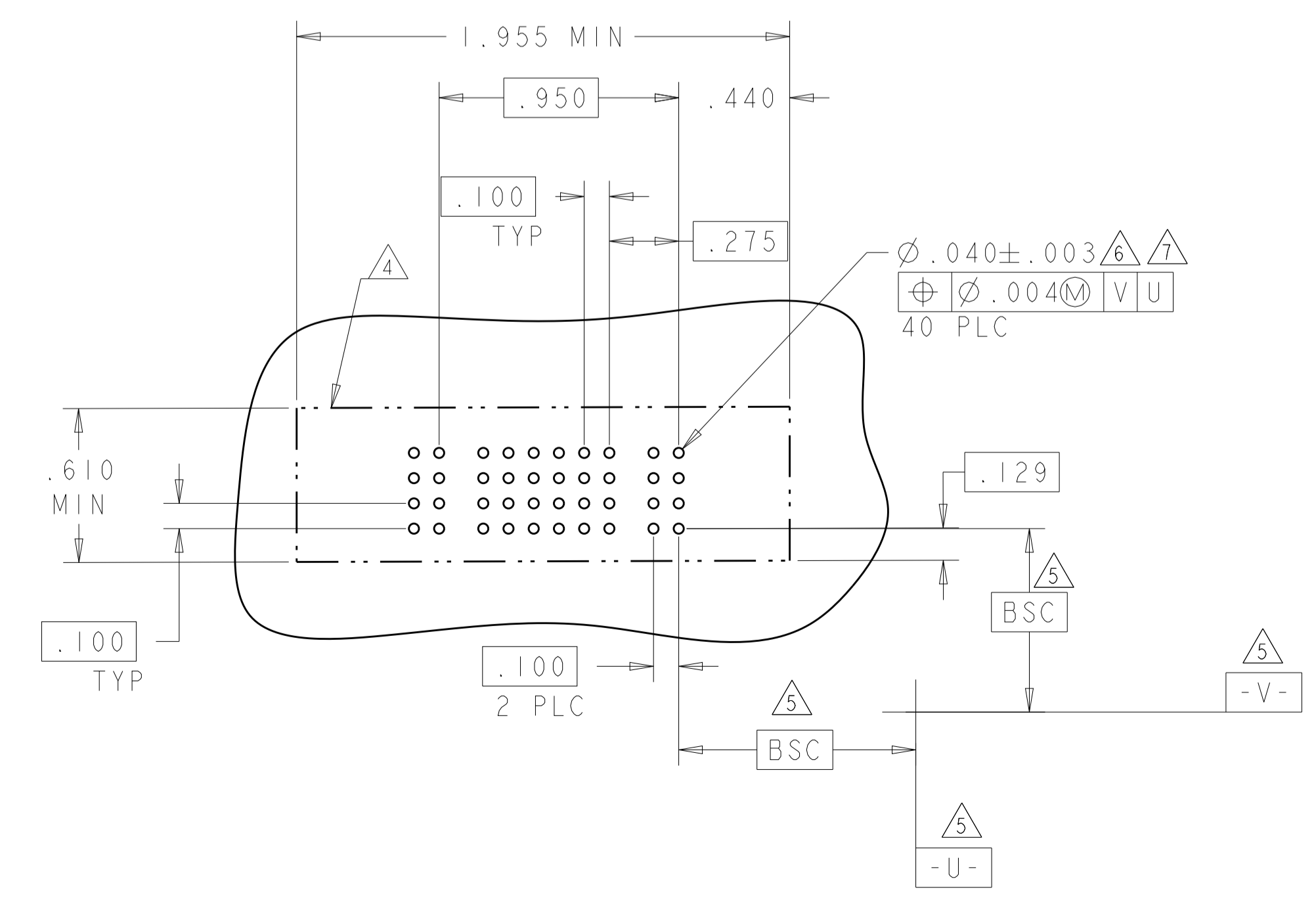
LOC	DIST	REVISIONS			
P	LTN	DESCRIPTION	DATE	DWN	APVD
-	-	SEE SHEET 1	-	-	-

PART NUMBER	ROWS	POWER				SIGNAL					POWER	
		P4	P3	6	5	4	3	2	1	P2	P1	
1892430-5	D C B A	GP	GP	AP	AP	AP	AP	AP	AP	AP	GP	GP
		AP	AP	AP	AP	AP	AP	AP	AP	AP	GP	GP
		AP	AP	AP	AP	AP	AP	AP	AP	AP	GP	GP
2P + 24S + 2P												

PART NUMBER	ROWS	POWER (L)				SIGNAL					POWER (R)			
		P8	P7	P6	P5	6	5	4	3	2	1	P3	P2	P1
1892430-3	D C B A	GS	GS	GS	GS	AP	AP	AP	AP	AP	AP	GP	GS	GS
		AP	AP	AP	AP	AP	AP	AP	AP	AP	AP	GP	GS	GS
		AP	AP	AP	AP	AP	AP	AP	AP	AP	AP	GP	GS	GS
3ACP + 24S + 5P														



PART NUMBER	ROWS	POWER		SIGNAL					POWER	
		P2	6	5	4	3	2	1	P1	
1892430-2	D C B A	GP	AP	AP	AP	AP	AP	AP	GP	GP
		AP	AP	AP	AP	AP	AP	AP	GP	GP
		AP	AP	AP	AP	AP	AP	AP	GP	GP
1P + 24S + 1P										



THIS DRAWING IS A CONTROLLED DOCUMENT.		DWN: C. ZHOU 11OCT2006	<b>STE</b> TE Connectivity
DIMENSIONS: INCHES		CHK: SUNY ZHAO 10OCT2006	
TOLERANCES UNLESS OTHERWISE SPECIFIED:		APVD: S. YAO	NAME: VERTICAL RECEPTACLE ASSEMBLY PRESS FIT, W/GUIDES MULTI-BEAM XL PRODUCT SPEC: 108-1973 APPLICATION SPEC: SIZE: 114-13038 WEIGHT: CAGE CODE: A100779 DRAWING NO: 1892430 SCALE: 4:1 SHEET 4 OF 5 REV: D4
0 PLC ±.01		RESTRICTED TO:	
1 PLC ±.01			
2 PLC ±.01			
3 PLC ±.005			
4 PLC ±.002			
ANGLES: ±.002			
FINISH: 40°/30°			
MATERIAL:		Customer Drawing	

