



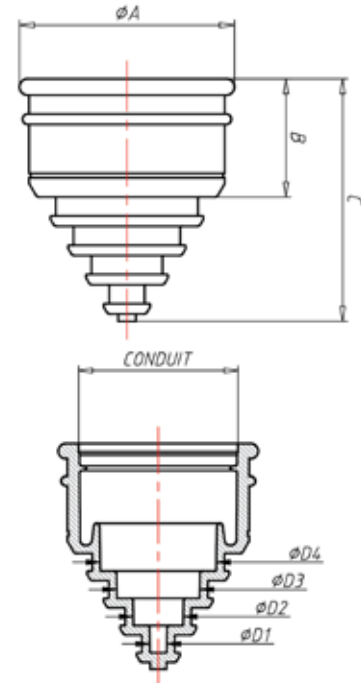
REC Rubber End Caps Corrugated Conduit

Rubber cap easily slides over un-terminated conduit ends to protect inside wire and cable bundles from debris. For use HelaGuard corrugated conduits.



| Conduit Size | | | Euro Size | HT Part Number | Mnf Ref Number | Dimensions | | | | | | | | | | | | | | | | | |
|--------------|----|------|-----------|----------------|----------------|------------|------|------|------|------|------|----|------|------|------|----|------|----|------|----|------|----|----|
| in. | mm | (NW) | | | | A | | B | | C | | D1 | | D2 | | D3 | | D4 | | D5 | | D6 | |
| | | | in. | mm | in. | mm | in. | mm | in. | mm | in. | mm | in. | mm | in. | mm | in. | mm | in. | mm | in. | mm | |
| 3/8 | 16 | 12 | REC0380 | REC16 | 0.89 | 22.7 | 0.69 | 17.5 | 1.32 | 33.6 | 0.12 | 3 | 0.27 | 7 | 0.43 | 11 | NA | NA | NA | NA | NA | NA | NA |
| 1/2 | 21 | 17 | REC0500 | REC21 | 1.12 | 28.4 | 0.74 | 18.8 | 1.51 | 38.3 | 0.12 | 3 | 0.27 | 7.0 | 0.43 | 11 | 0.59 | 15 | NA | NA | NA | NA | NA |
| 3/4 | 28 | 23 | REC0750 | REC28 | 1.43 | 36.2 | 0.78 | 19.8 | 1.6 | 40.8 | 0.12 | 3 | 0.35 | 9.0 | 0.59 | 15 | 0.83 | 21 | NA | NA | NA | NA | NA |
| 1.00 | 34 | 29 | REC1000 | REC34 | 1.67 | 42.5 | 0.83 | 21 | 1.67 | 42.3 | 0.12 | 3 | 0.39 | 10.0 | 0.67 | 17 | 0.98 | 25 | NA | NA | NA | NA | NA |
| 1.25 | 42 | 36 | REC1250 | REC42 | 2.02 | 51.3 | 0.83 | 21 | 1.85 | 47 | 0.2 | 5 | 0.47 | 12.0 | 0.75 | 19 | 1.02 | 26 | 1.34 | 34 | NA | NA | NA |
| 1.50 | 54 | 48 | REC1500 | REC54 | 2.48 | 63.1 | 0.83 | 21 | 2.04 | 51.9 | 0.2 | 5 | 0.47 | 12.0 | 0.75 | 19 | 1.06 | 27 | 1.38 | 35 | 1.81 | 46 | NA |

| Technical Properties and Performance | |
|--|--|
| Property | Rating |
| Material: | Thermoplastic elastomer |
| Application: | Pushes onto end of conduit to seal onto circular cable |
| IP (Ingress Protection) rating | IP66 dependent upon cable |
| Temperature Range | -50°C to +120°C |
| Color | Black |
| Thread Pattern | NA |
| Supplied with neoprene face seal washer | No |
| Suitable for fine or coarse pitch conduits | Yes |
| UL Recognized (File E229161) | No |
| UL Listed (File No. E247502) | No |
| UV Resistant | Yes |
| Halogen, Sulphur and Phosphorous free | Yes |
| Anti vibration and Tamper Resistant | No |
| Flammability: UL 94 | NA |
| Country of Origin | United Kingdom |



Warranty Policy HellermannTyton products are warranted to be free from defects in material and workmanship at the time sold by us; but our obligation under this warranty and that of the seller is limited to the replacement of the product, and neither we nor the seller are bound by any other warranty, expressed, implied or statutory. Under no circumstances are we or the seller liable for any loss, damage, expenses or consequential damages of any kind arising out of the use or inability to use these products. All are sold with the understanding that the user will test them in actual use and determine their adaptability for the intended uses. Every effort is made to ensure accuracy and completeness when describing the technical properties of these products.