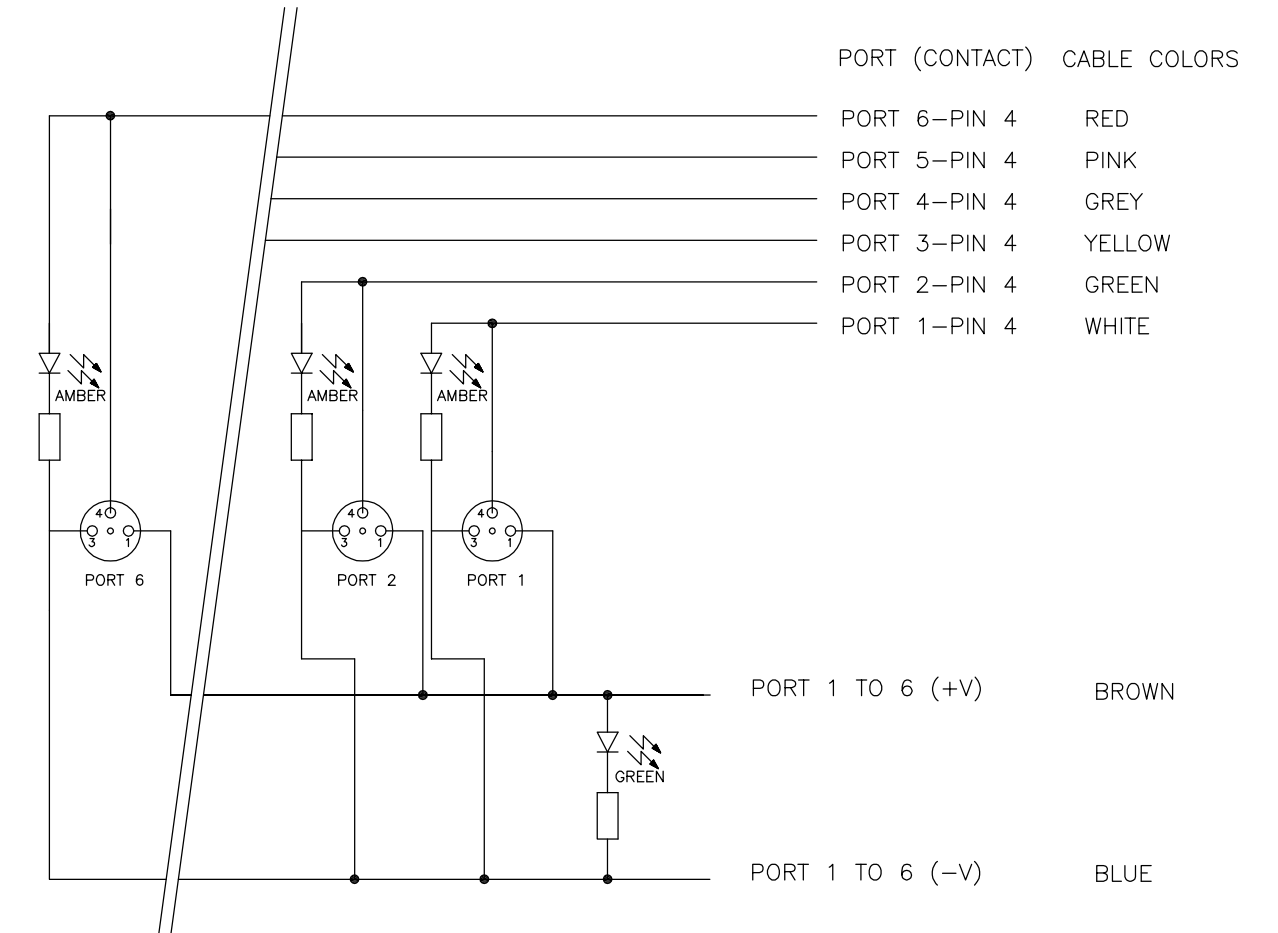
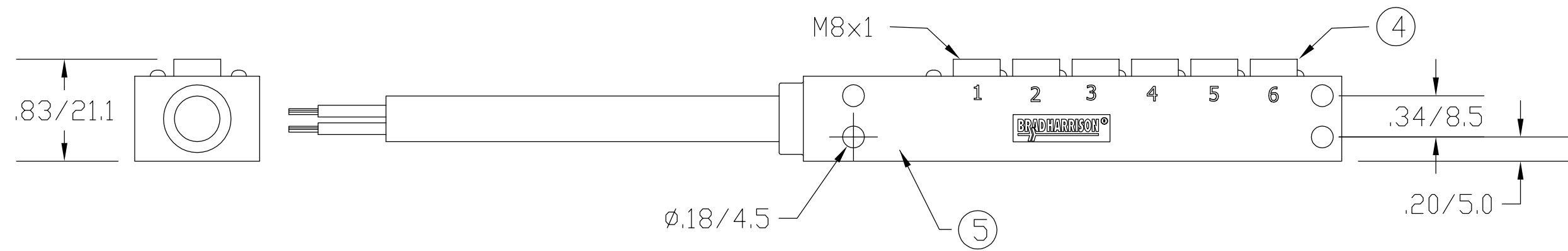
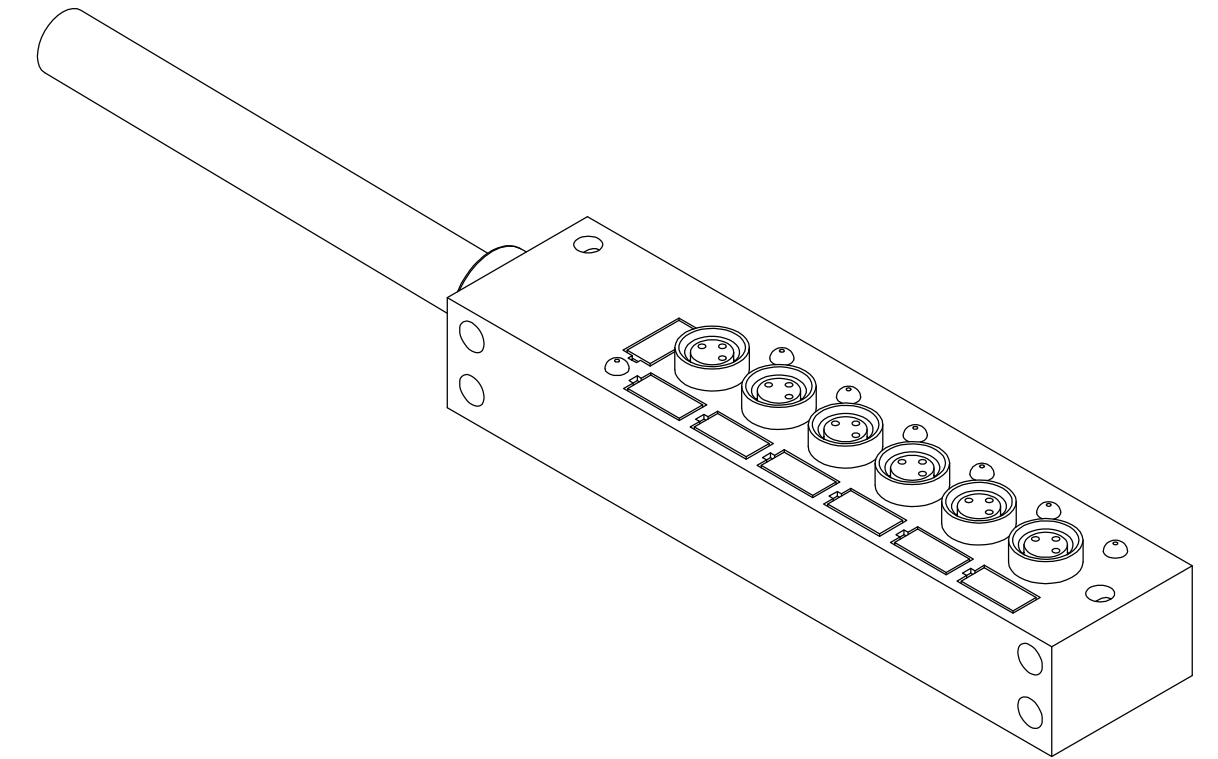
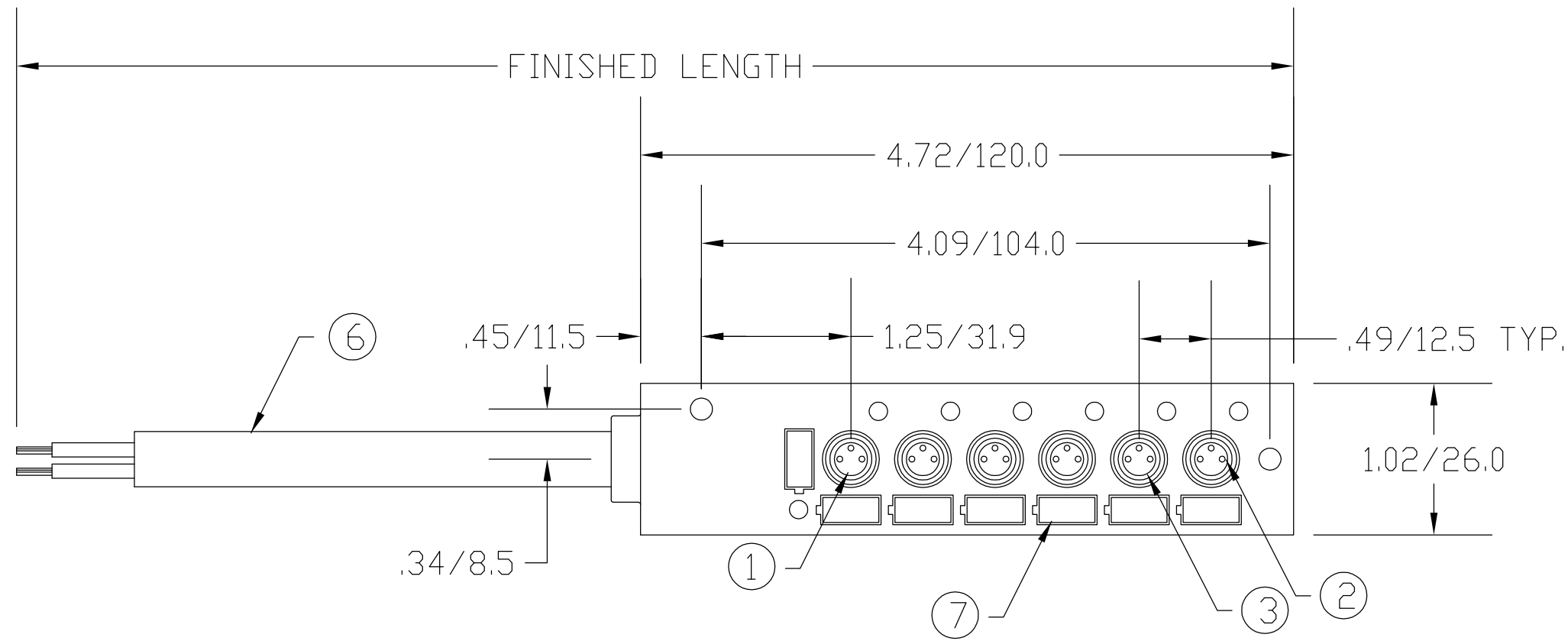


MATERIAL NUMBER	OLD PART NUMBER	FINISHED LENGTH
120113-0011	BEY601P-FBP-05	16.40' +6.50" -0 [5.0M +165.1 -0]



WIRING DIAGRAM

VOLTAGE RATING	10-30 VDC
AMPERAGE RATING PER PORT	2 AMPS
PROTECTION	IP67
OPERATING TEMPERATURE	-20°C TO 90°C

ITEM	COMPONENT	MATERIAL	FINISH
1	INSERT	POLYESTER	YELLOW
2	CONTACT SOCKET	COPPER ALLOY	GOLD OVER NICKEL
3	O-RING	VITON	RED
4	RECEPTACLE SHELL	BRASS	NICKEL PLATED
5	HOUSING	NYLON	YELLOW
6	CABLE- 18AWG, 2 CONDUCTOR; 22 AWG, 6 CONDUCTOR, 300V	PVC	YELLOW
7	LABEL	ABS	WHITE

RLSO DRAWING EC NO: WNA2009-0641 DRWN: BWOODMAN 3/31/09 CH'KD: JM APPR: JFMURPHY 2009/04/08	QUALITY SYMBOL	GENERAL TOLERANCES (UNLESS SPECIFIED)	DIMENSION STYLE	SCALE	DESIGN UNITS	THIRD ANGLE PROJECTION
	▽=0 ∇=0	4 PLACES ±--- 3 PLACES ±--- 2 PLACES ±--- 1 PLACE ±0.3	IN/MM	---	---	
	DESCRIPTION	ANGULAR ±---°	DRAFT WHERE APPLICABLE MUST REMAIN WITHIN DIMENSIONS	DRAWN BY DATE BW 2009/03/31	TITLE NANO-CHANGE MPIS 6 PORT PNP SIDE ENTRY 5 METER PUR CABLE	
	REV			CHECKED BY DATE VO 2009/03/31	MOLEX INCORPORATED	
			APPROVED BY DATE	MATERIAL NO. SEE CHART	DOCUMENT NO. SD-120113-001	SHEET NO. 1 OF 1
			SIZE C	THIS DRAWING CONTAINS INFORMATION THAT IS PROPRIETARY TO MOLEX INCORPORATED AND SHOULD NOT BE USED WITHOUT WRITTEN PERMISSION		