

THIS DRAWING IS UNPUBLISHED.

RELEASED FOR PUBLICATION

© COPYRIGHT - By -

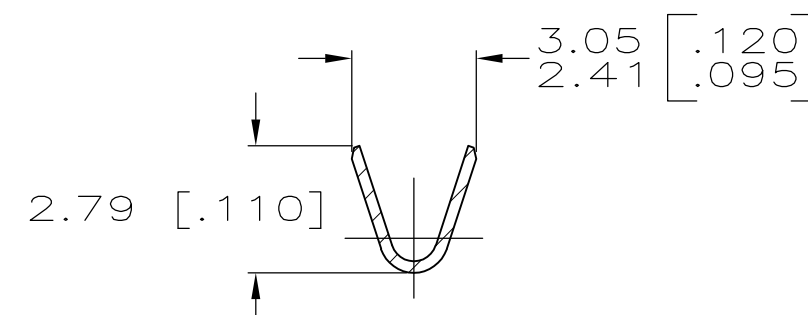
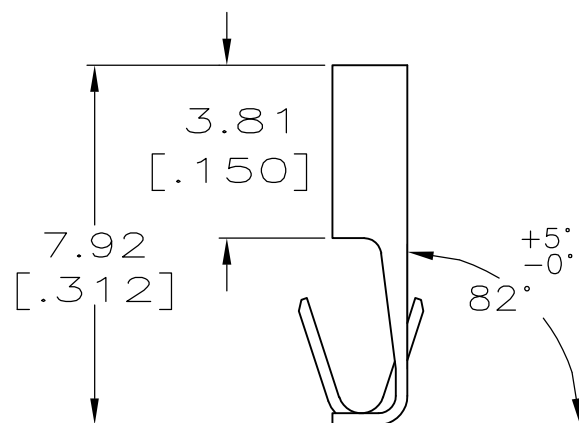
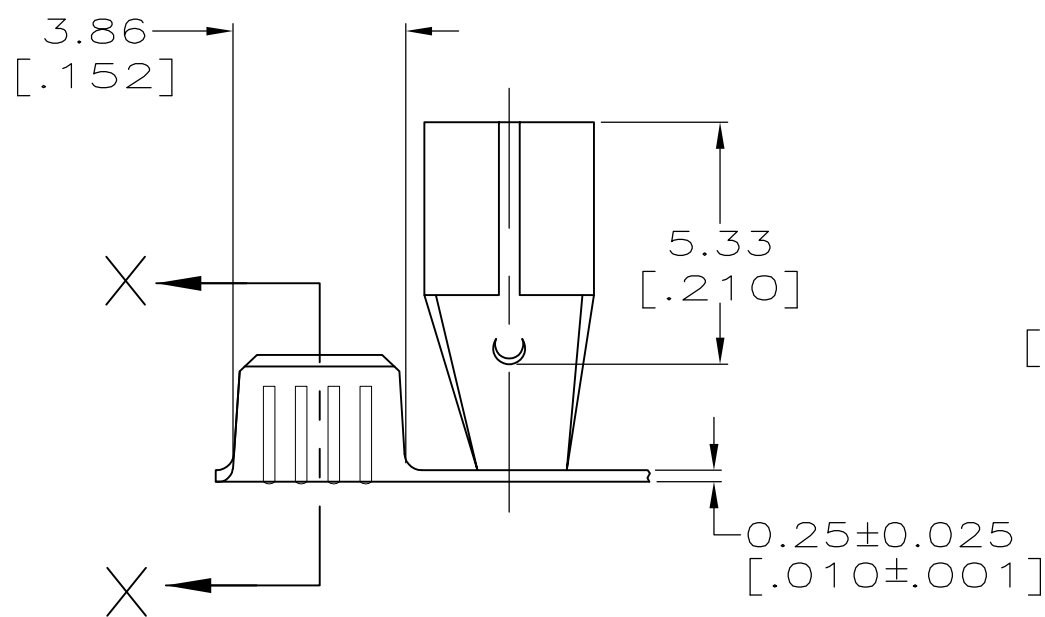
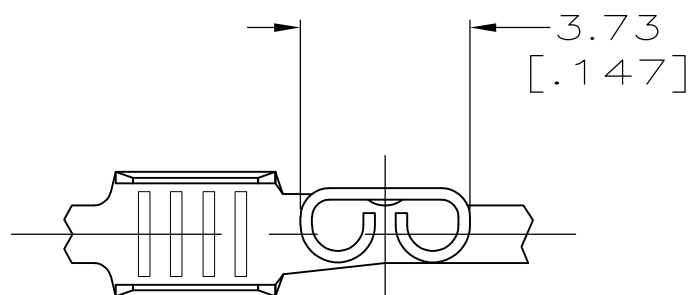
ALL RIGHTS RESERVED.

LOC AF DIST 50

REVISIONS


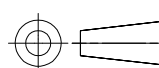
P	LTR	DESCRIPTION	DATE	DWN	APVD
	B	REVISED PER ECR-12-013518	24NOV12	KH	PD

- 1 CONTINUOUS STRIP ON REELS.
- 2 MATING TAB THK IS 0.38 ± 0.025 [.015 ± .001]
- 3 WIRE SIZE IS [#22-#16] AWG.



SECTION X-X

63990-1
PART NO.

THIS DRAWING IS A CONTROLLED DOCUMENT.		DWN JR RUTH 08APR99	 TE Connectivity				
DIMENSIONS: mm [INCHES]		CHK MS FEHER 08APR99					
TOLERANCES UNLESS OTHERWISE SPECIFIED: 0 PLC ± - 1 PLC ± - 2 PLC ± 0.25 [.010] 3 PLC ± - 4 PLC ± - ANGLES ± -		APVD S HEADER 08APR99	NAME				
		PRODUCT SPEC	RECEPTACLE, FASTON, FLAG, 2.54 [.110] SERIES				
MATERIAL BRASS		FINISH PRE-TIN	APPLICATION SPEC	SIZE A3	CAGE CODE 00779	DRAWING NO C-63990	RESTRICTED TO
CUSTOMER DRAWING			WEIGHT -	SCALE 5:1	SHEET 1 OF 1	REV B	