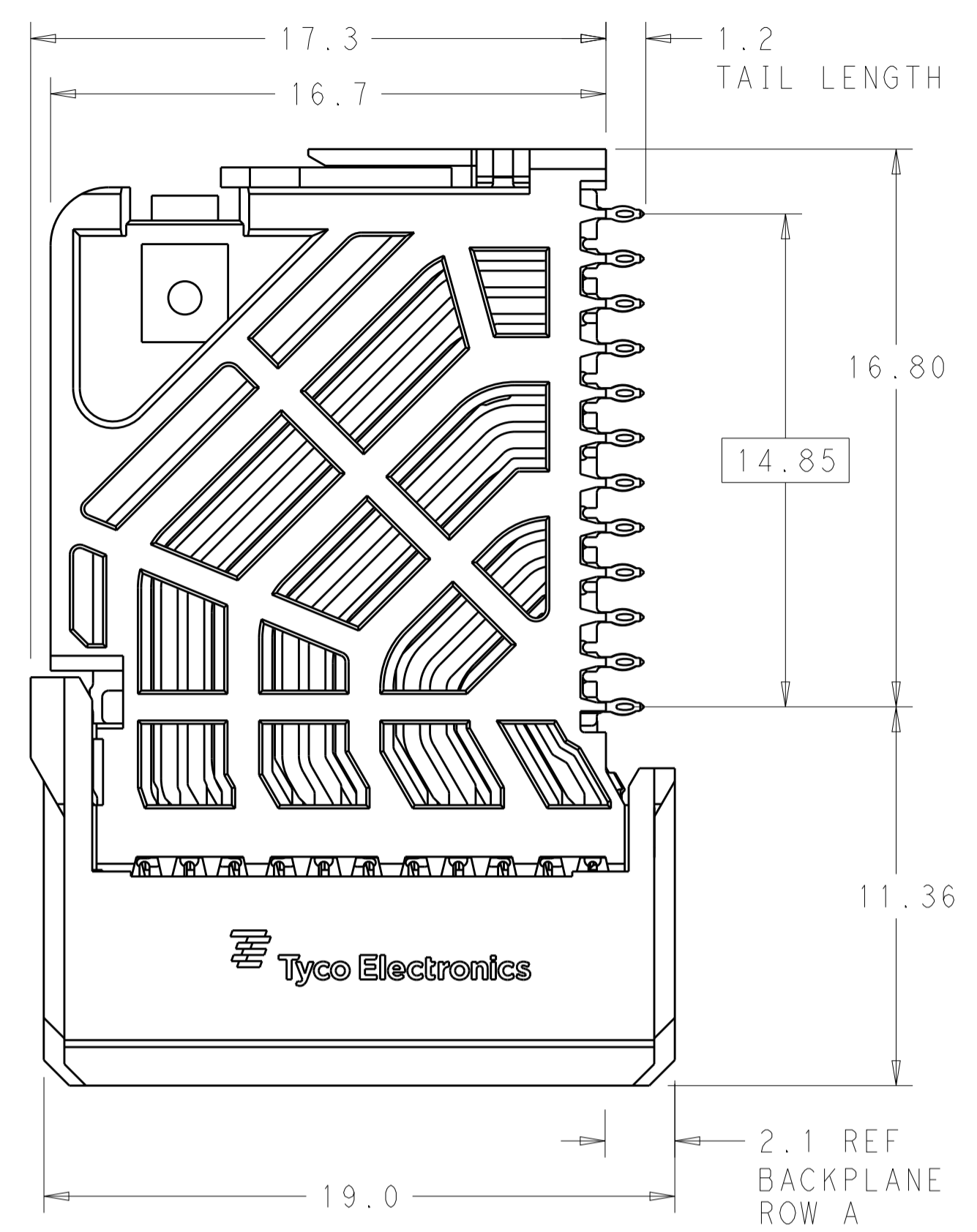
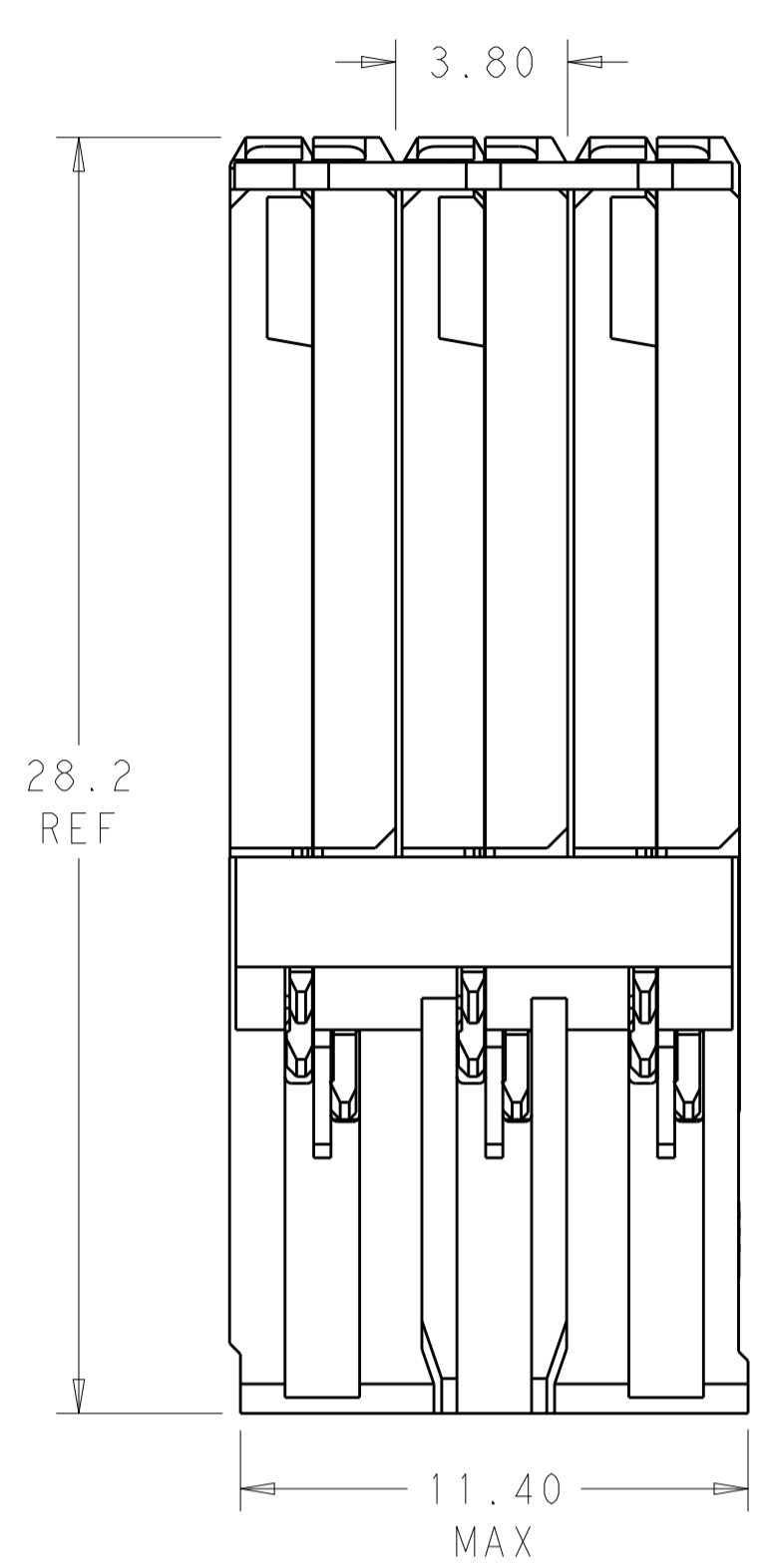
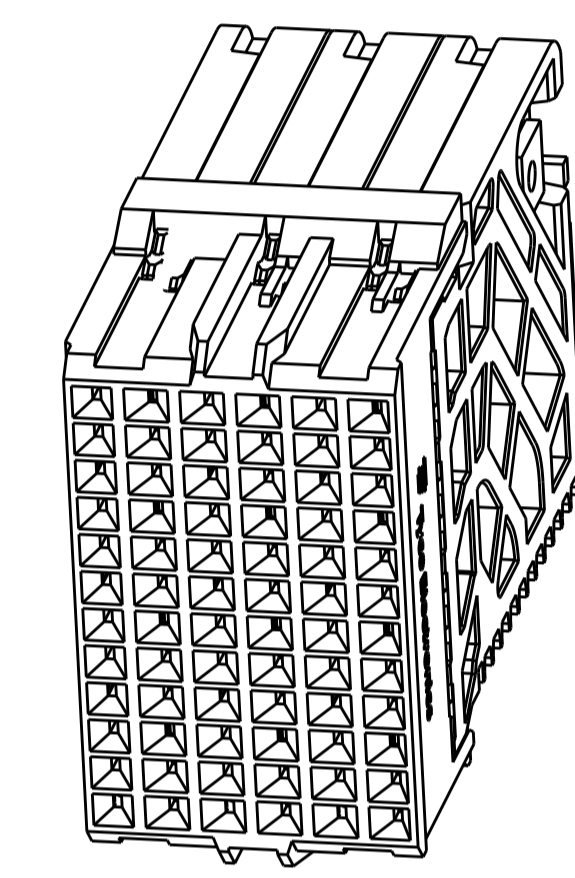


REVISIONS				
P.	LTN	DESCRIPTION	DATE	OWN APVD
C1		REVISED PER ECO-14-018036	18FEB2015	AP DD



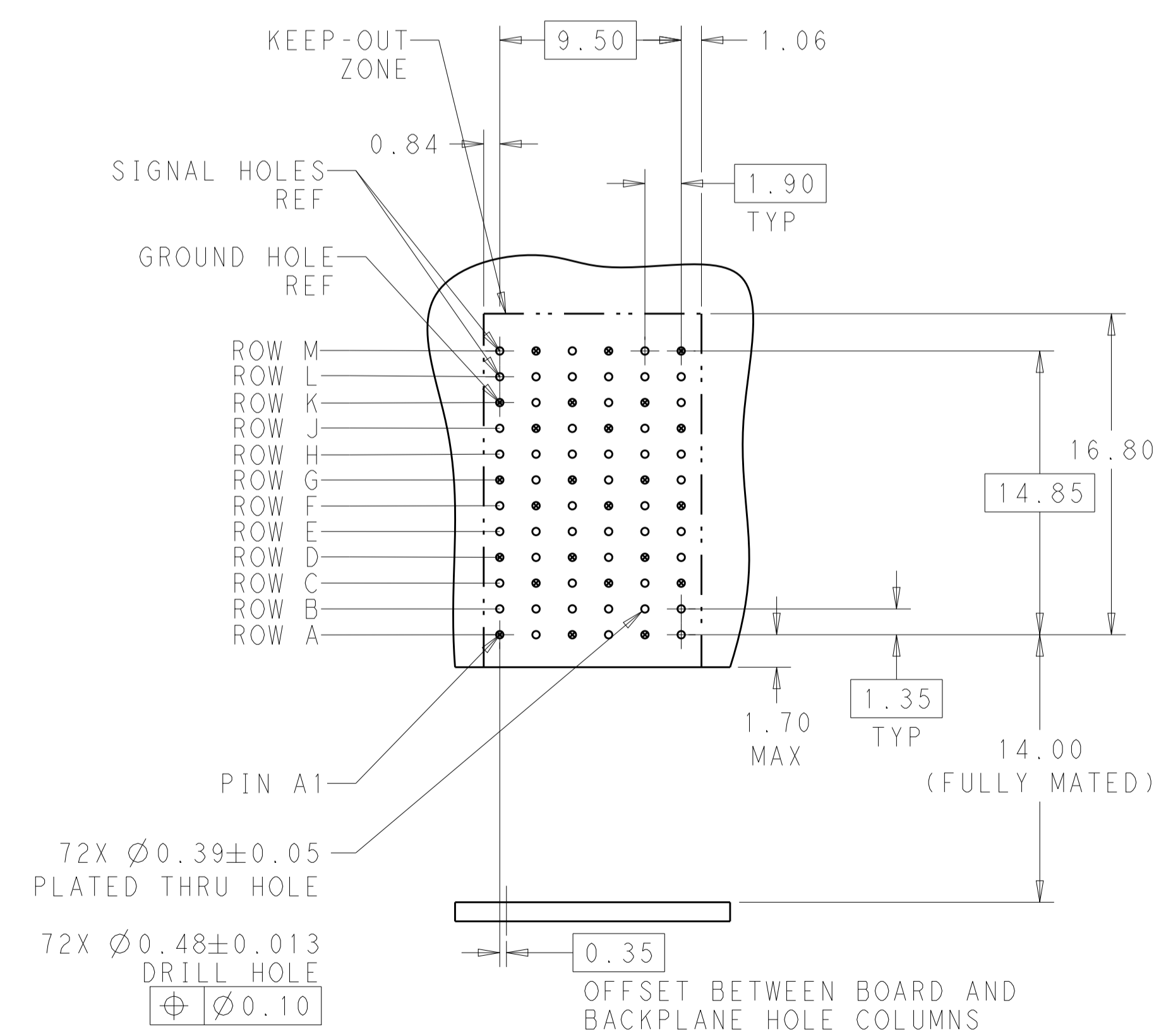
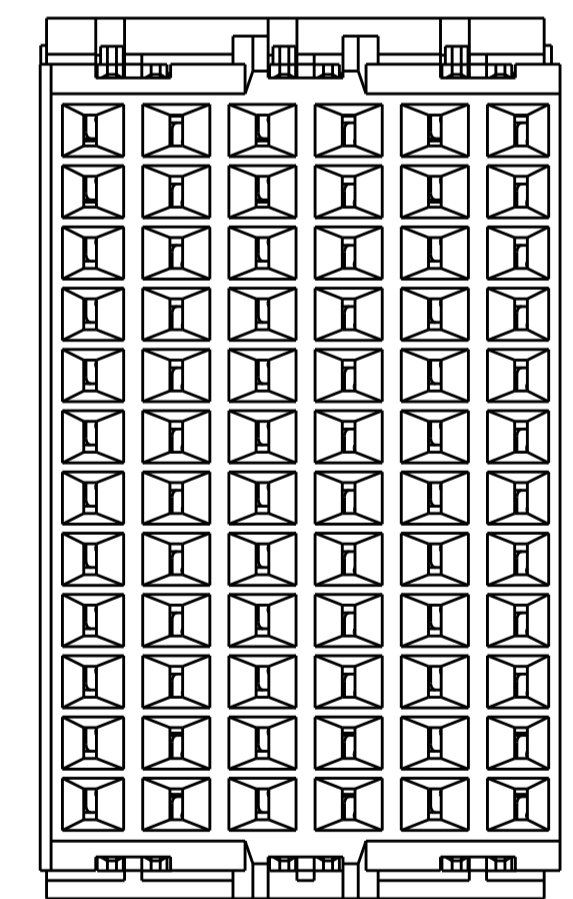
⚠ MATERIAL:
 HOUSING: LCP, GLASS FILLED, UL94V-0.
 TERMINALS: HIGH PERFORMANCE COPPER ALLOY.

⚠ FINISH:
 30μ" SELECTIVE GOLD IN CONTACT AREA. SELECTIVE TIN ON PCB TAILS, NICKEL OVERALL.



SCALE 4:1

REFER TO WWW.TE.COM FOR PRODUCT AVAILABILITY



RECOMMENDED PCB LAYOUT
 MIN BOARD THICKNESS 1.0

NONE	⚠	2132739-1
KEY POSITION	FINISH	PART NUMBER

THIS DRAWING IS A CONTROLLED DOCUMENT.		OWN: B. CARBO 01MAR2011		NAME: IMPACT, 4 PAIR, DAUGHTERCARD PRODUCT SPEC: 6 COLUMN, UNGUIDED, SIGNAL APPLICATION SPEC: MODULE, 0.39 EYELET
DIMENSIONS: mm		CHK: D. DIXON 01MAR2011		
TOLERANCES UNLESS OTHERWISE SPECIFIED: 0 PLC ± 1 PLC ±0.25 2 PLC ±0.13 3 PLC ± 4 PLC ± ANGLES ±		APVD: D. DIXON 01MAR2011		
MATERIAL: SEE TABLE		RESTRICTED TO: A100779C=2132739		
CUSTOMER DRAWING		SCALE: 6:1	SHEET: 1 OF 1	REV: C1