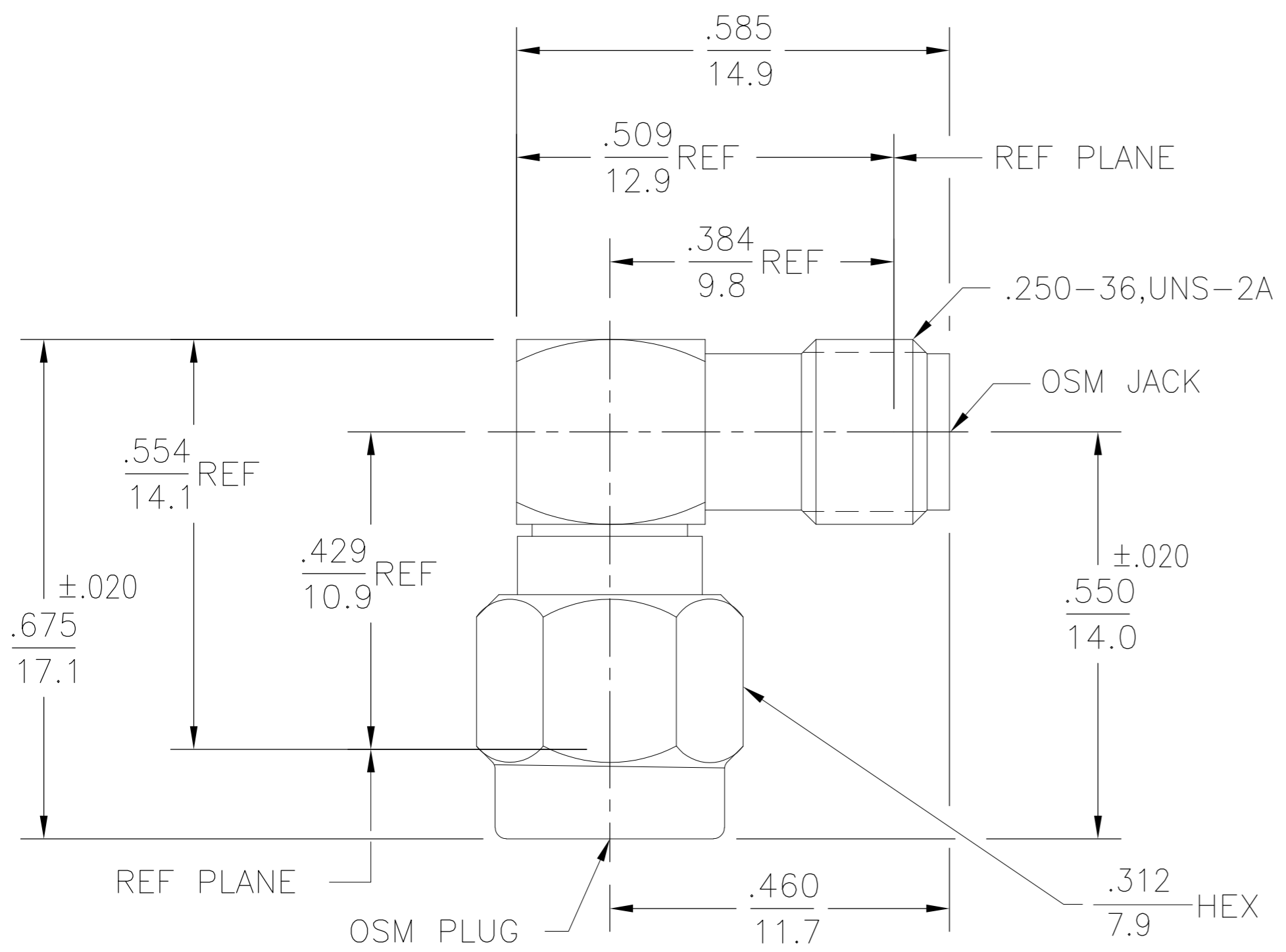


THIS DRAWING IS UNPUBLISHED. RELEASED FOR PUBLICATION  
 © COPYRIGHT BY TYCO ELECTRONICS CORPORATION. ALL INTERNATIONAL RIGHTS RESERVED.

LOC	DIST	REVISIONS			
P	LTR	DESCRIPTION	DATE	DWN	APVD
AJ	00	B	REV PER ECO 08-030677	12/12/2008	DW JO



ELECTRICAL	MECHANICAL	ENVIRONMENTAL
Nominal Impedance (Ohms) <u>50</u>	Interface Dimensions MIL-STD-348A, Fig. 310.1,,2	TEMPERATURE RATING <u>-65°C TO +125°C</u>
Frequency Range (GHz) DC to <u>18</u>	Recommended Mating Torque <u>7 to 10</u>	Vibration MIL-STD-202, Method 204, Condition D
Volt Rating (VRMS MAX) @ Sea Level <u>335</u>	Mating Characteristics:	Shock MIL-STD-202, Method 213, Condition I
VSWR <u>1.15 + .015(fGHz)</u>	Insertion (MAX Lbs) <u>3</u>	Thermal Shock MIL-STD-202, Method 107, Condition B, Except High Temp
Insertion Loss (dB MAX) <u>.06√f(GHz)</u>	Withdrawal (MIN Oz) <u>1</u>	Moisture Resistance MIL-STD-202, Method 106
RF Leakage (dB MIN) <u>-90-f(GHz)</u>	Force to Engage and Disengage (In-Lbs MAX) <u>2</u>	Corrosion - MIL-STD-202, Method 101, Condition B, 5% salt spray
Corona, 70,000 Ft (VRMS MIN) <u>250</u>	Center Contact Captivation	
Dielectric Withstanding Voltage (VRMS MIN) @ Sea Level <u>1000</u>	Axial (Lbs) <u>6</u>	
Contact Resistance (Milliohms MAX)	Radial (In-Oz) <u>4</u>	
Center Contact <u>2</u>	Cable Retention	
Outer Contact <u>2</u>	Axial Force (Lbs) <u>N/A</u>	
Cable to Housing <u>N/A</u>	Torque (In-Oz) <u>N/A</u>	
RF High Potential @ Sea Level (VRMS MIN @ 5 MHz) <u>670</u>	Weight (Grams) <u>TBD</u>	
I.R.(Megohms MIN) <u>10,000</u>		

COMPONENT	MATERIAL	FINISH
HOUSING COUPLING NUT CAP	STAINLESS STEEL PER ASTM-A484 AND ASTM-A582, TYPE 303	PASSIVATE PER ASTM-A380
DIELECTRIC	TFE FLUOROCARBON PER ASTM-D-1457	N/A
CENTER CONTACT	BERYLLIUM COPPER PER ASTM B 196, ALLOY C17300, CONDITION H	GOLD PLATE PER MIL-G-45204 OVER COPPER PLATE PER MIL-C-14550
RETAINING RING	BERYLLIUM COPPER PER ASTM B 194, ALLOY C17200, CONDITION H	N/A
GASKET	SILICONE RUBBER PER ZZ-R-765	N/A

THIS DRAWING IS A CONTROLLED DOCUMENT.

DWN	G.BEERS	8/18/81
CHK	RMF	8/21/81
APVD	JS	8/21/81

**Tyco Electronics** Tyco Electronics Corporation  
Harrisburg, PA 17105-3608

NAME: SMA RIGHT ANGLE PLUG TO JACK ADAPTER (2088-1230-02)

SIZE	CAGE CODE	DRAWING NO	RESTRICTED TO
A2	00779	C=1055070	-

CUSTOMER DRAWING SCALE 6:1 SHEET 1 of 1 REV B