

CGA5L2C0G1H683J160AD

TDK Item Description : CGA5L2C0G1H683JT**B



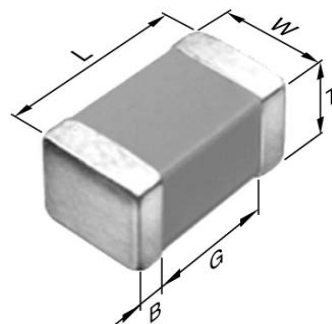
Equivalent C3216C0G1H683J for Automotive

Application & Main Feature

Automotive Grade (Conductive Epoxy Application)

Series

CGA5(3216) [EIA CC1206]



Dimensions

L 3.20mm +0.3,-0.1mm
 W 1.60mm +0.3,-0.1mm
 T 1.60mm +0.3,-0.1mm
 B 0.20mm Min.
 G 1.00mm Min.

Temperature Characteristic

C0G (-55 to 125 degC 0+/-30ppm/degC)

Rated Voltage

1H (50Vdc)

Capacitance

68nF

Capacitance Tolerance

J (+/-5%)

Q Factor

1000 Min.

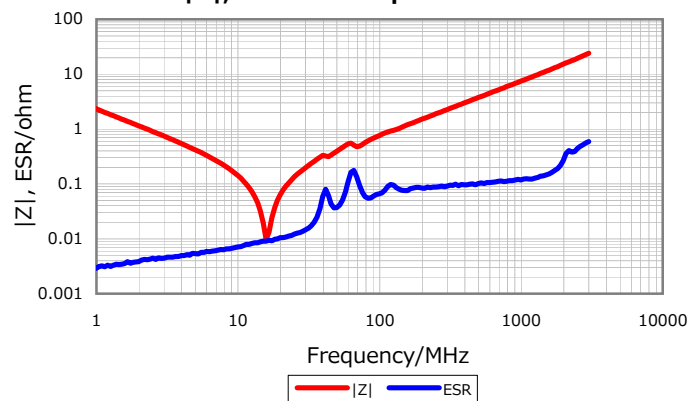
Insulation Resistance

7.35Gohm Min.

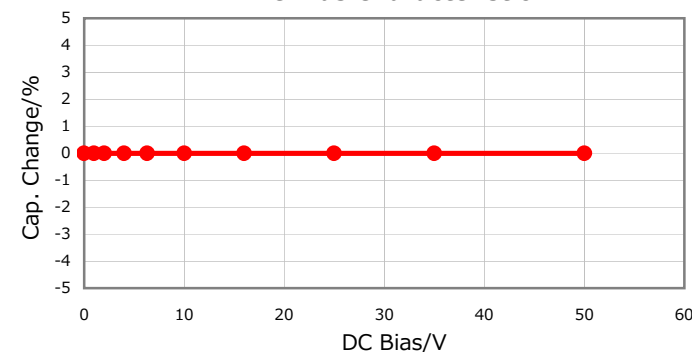
AEC-Q200

Yes

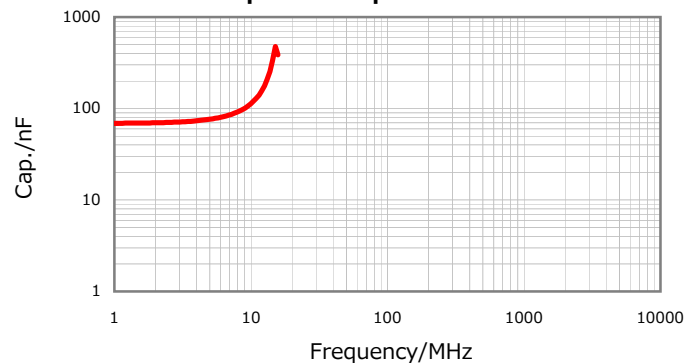
|Z|, ESR vs. Freq. Characteristics



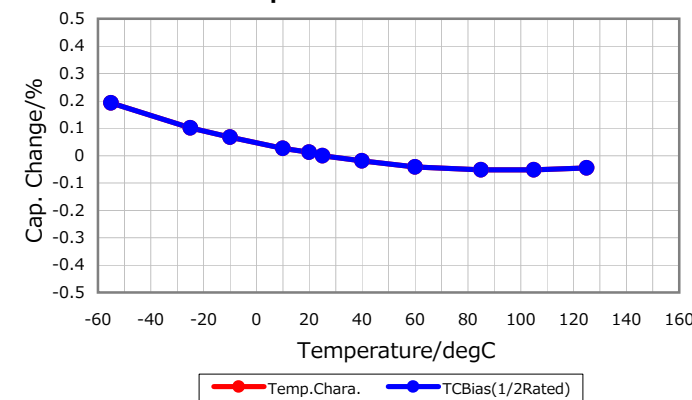
DC Bias Characteristic



Cap. vs. Freq. Characteristic



Temperature Characteristics



Characterization Sheet (Multilayer Ceramic Chip Capacitors)



All specifications are subject to change without notice.

January 4, 2016