

THIS DRAWING IS UNPUBLISHED. RELEASED FOR PUBLICATION 20
 © COPYRIGHT 20 BY TYCO ELECTRONICS CORPORATION. ALL RIGHTS RESERVED.

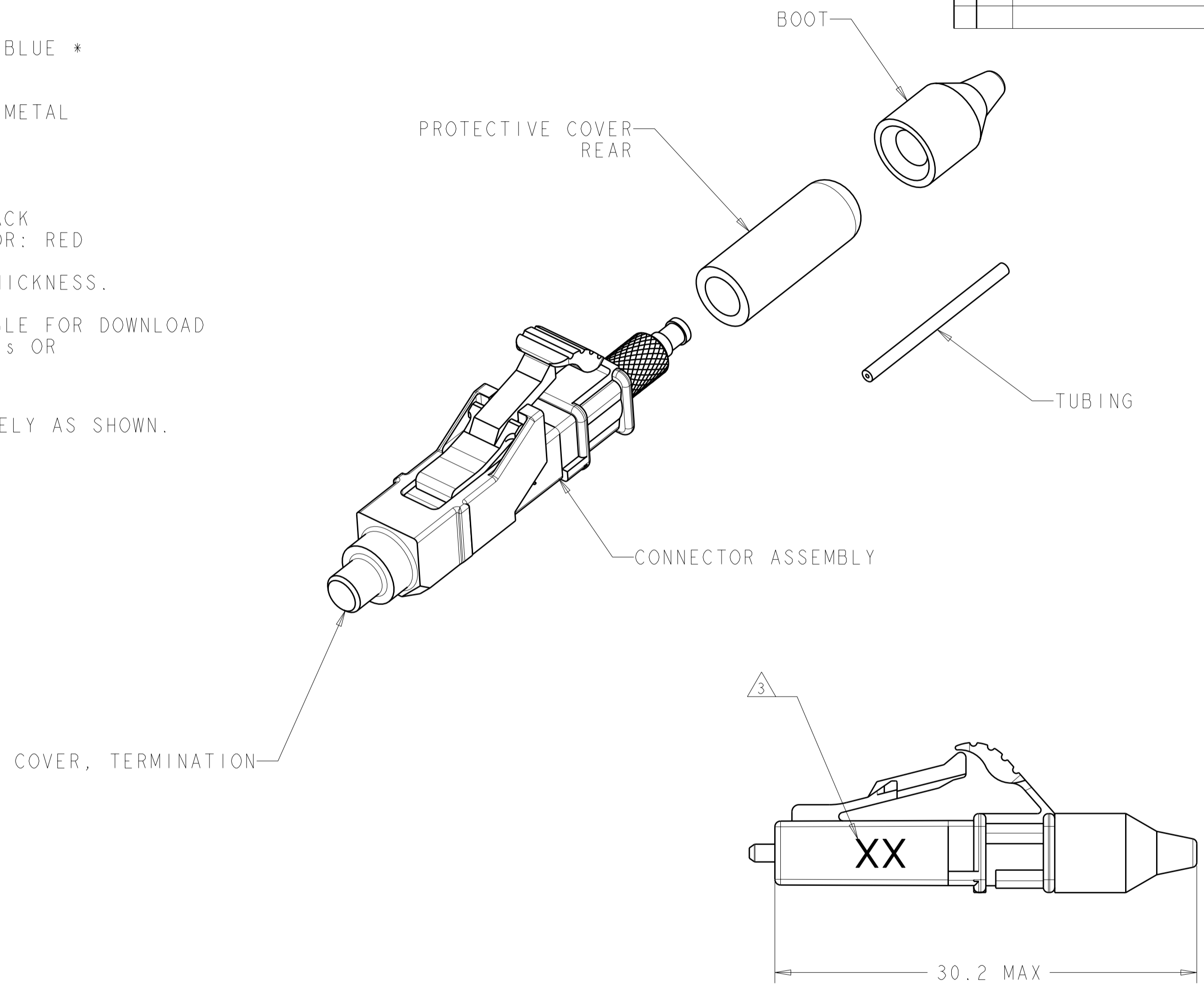
LOC	DIST	REVISIONS			
P	LTR	DESCRIPTION	DATE	DWN	APVD
CE	00				
	C	REV PER ECR-08-031840	18DEC2008	DDE	CB
	C1	REVISE NOTE 2	12MAR2009	BB	SB
	C2	REVISE PLUNGER VIEW	09APR2009	KG	CB

1 MATERIAL:
 CONNECTOR ASSEMBLY:
 CONNECTOR HOUSING: PPSU, COLOR: BLUE *
 REAR BODY: METAL
 COMPRESSION SPRING: METAL
 FERRULE SUB ASSEMBLY: ZIRCONIA/ METAL
 INTERNAL SPLICE: PEI *
 PLUNGER: METAL
 BOOT: TPE, COLOR: BLUE
 BUILD-UP TUBE: TPE
 TERMINATION COVER: PBT, COLOR: BLACK
 REAR PROTECTIVE COVER: VINYL, COLOR: RED

* UL 94 V-0 RATED AT QUALIFYING THICKNESS.

2. INSTRUCTION SHEET: 408-8925 AVAILABLE FOR DOWNLOAD
 AT www.tycoelectronics.com/documents OR
www.ampnetconnect.com/foguide.

3 MARK WITH "SM" LOCATED APPROXIMATELY AS SHOWN.



6754482-1
 PART NO.

THIS DRAWING IS A CONTROLLED DOCUMENT FOR TYCO ELECTRONICS CORPORATION IT IS SUBJECT TO CHANGE AND THE CONTROLLING ENGINEERING ORGANIZATION SHOULD BE CONTACTED FOR THE LATEST REVISION.		DWN D. ERDMAN 02DEC2005	Tyco Electronics Harrisburg, PA 17105-3608	
DIMENSIONS: mm		CHK M. GURRER 02DEC2005	NAME KIT, CONNECTOR, LightCrimp Plus LC SIMPLEX, SM, 250-900um BUFFER	
TOLERANCES UNLESS OTHERWISE SPECIFIED:		APVD D. BAECHTLE 02DEC2005	PRODUCT SPEC	
0 PLC ±-		APPLICATION SPEC		
1 PLC ±0.5		WEIGHT		
2 PLC ±0.13		SCALE 4:1		
3 PLC ±0.013		SHEET 1 OF 1		
4 PLC ±0.0001		REV C2		
ANGLES ±-		CUSTOMER DRAWING		
FINISH		RESTRICTED TO		