

4

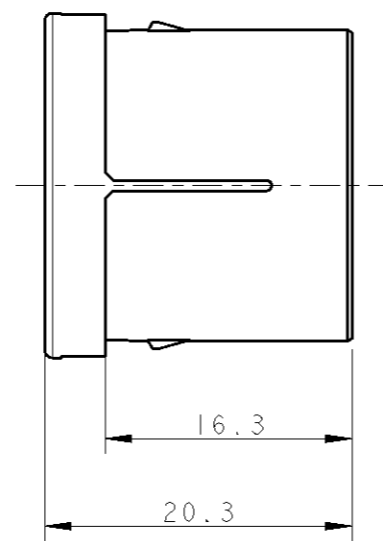
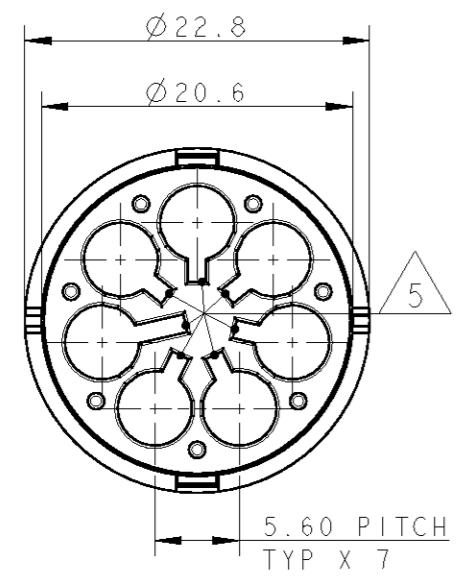
3

2

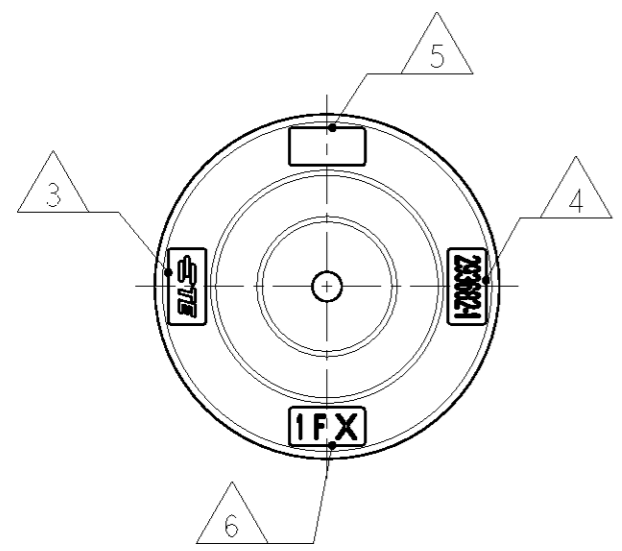
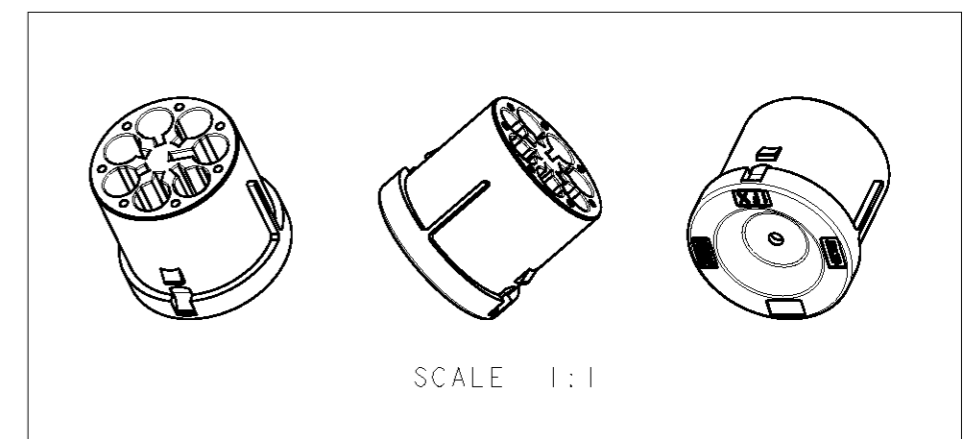
1

THIS DRAWING IS UNPUBLISHED. RELEASED FOR PUBLICATION 20  
 © COPYRIGHT 20 BY - ALL RIGHTS RESERVED.

LOC	DIST	REVISIONS					
		P	LTR	DESCRIPTION	DATE	DWN	APVD
1	-		5	UPDATED	07JUN2011	AB	GT
			6	UPDATED	28JUL2011	AB	GT
			A	RELEASED ACC. TO ECR-11-021683	25OCT2011	AB	GT
			AI	UPDATED	08NOV2011	AB	GT



- NOTE:
- 1) MATERIAL: PA GF (GREY COLOUR)
  - 2) ALL POSSIBLE POLARIZATION KEYS ARE SHOWN FOR REF ONLY
  - 3) AREA FOR TE LOGO
  - 4) TE PART NUMBER
  - 5) AREA FOR AGENCIES APPROVAL LOGO
  - 6) DATE MONTH&YEAR AND MOULD IMPRESSION ID
  - 7) TO BE USED ON SOCKET HOUSING TO GET IP 40 ON SEALED AND UNSEALED VERSION



NOTE	COLOUR	DESCRIPTION	REV.	P/N
1	GREY	SOCKET CAP 5,6,7 POLES NECTOR* M-LINE	A	0-293682-1

THIS DRAWING IS A CONTROLLED DOCUMENT.		DWN A. BERNARDI 25JAN2011	TE Connectivity	
DIMENSIONS: mm		CHK -		
TOLERANCES UNLESS OTHERWISE SPECIFIED:		APVD G. TURCO 25JAN2011	NAME SKT HSG LOCKING CAP 5,6,7 POLES M-LINE NECTOR	
0 PLC ±- 1 PLC ±0.3 2 PLC ±0.20 3 PLC ±- 4 PLC ±- ANGLES ±3°		PRODUCT SPEC 108-20324	SIZE A300779	
MATERIAL -		FINISH -	APPLICATION SPEC 114-20169	DRAWING NO C=293682
		WEIGHT -	RESTRICTED TO -	
		CUSTOMER DRAWING		SCALE 2:1
				SHEET 1 OF 1
				REV AI