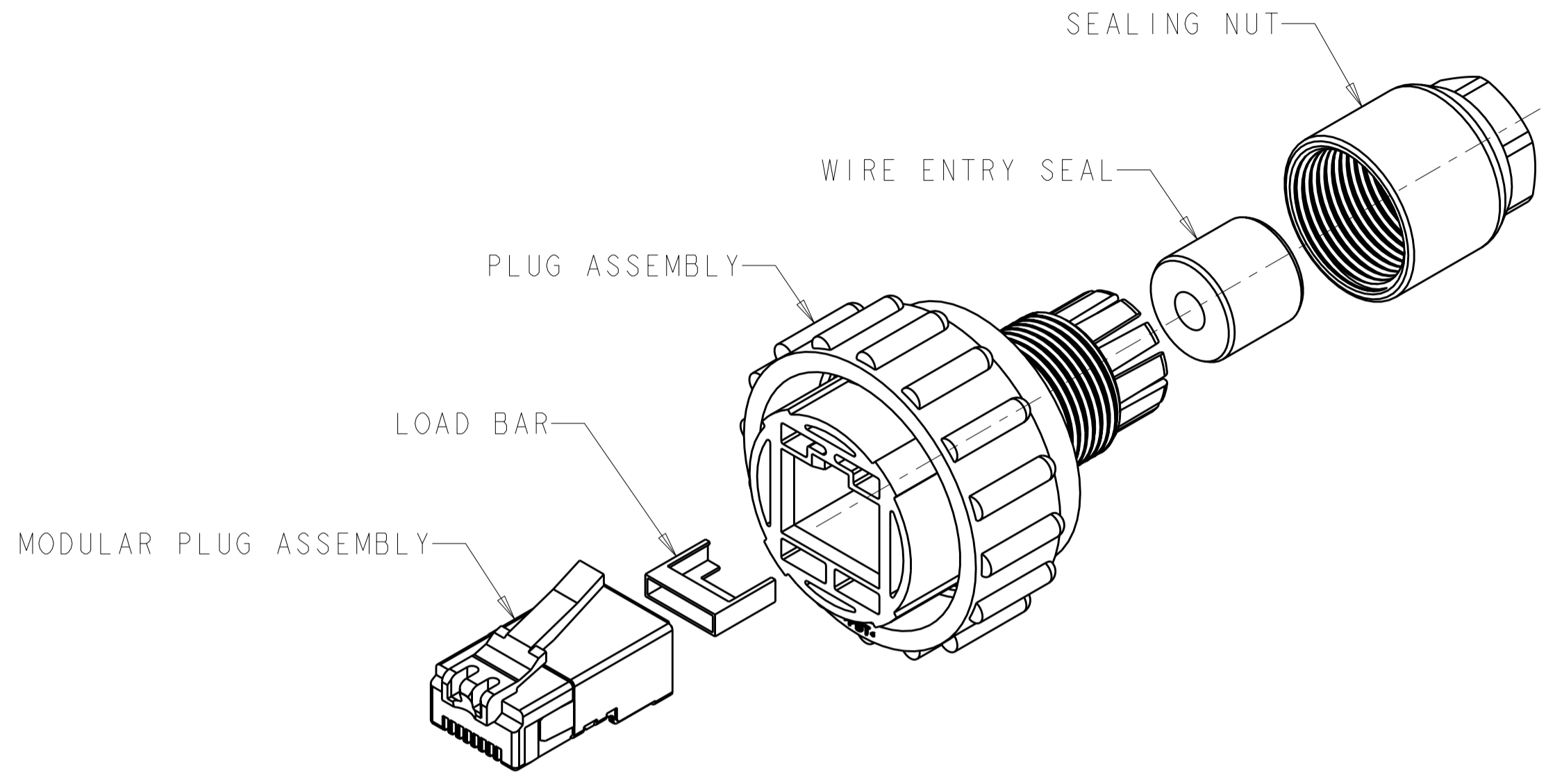
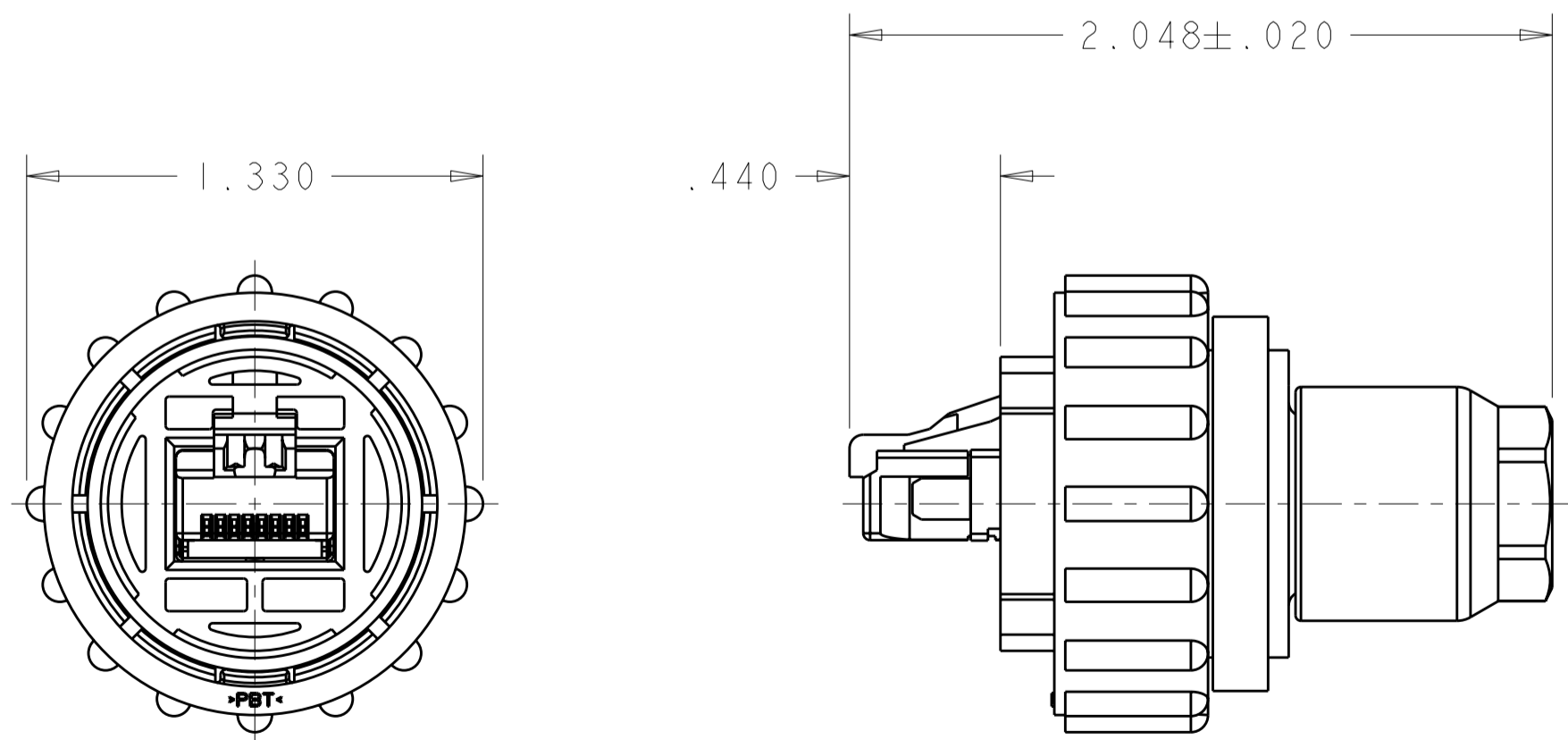


THIS DRAWING IS UNPUBLISHED. RELEASED FOR PUBLICATION 20  
 © COPYRIGHT 20 BY TYCO ELECTRONICS CORPORATION. ALL RIGHTS RESERVED.

LOC		DIST		REVISIONS			
P	LTR	DESCRIPTION	DATE	DWN	APVD		
	A	REVISED EC 063B-0222-04	08MAR2004	SW	HW		
	B	REVISED ECO-07-009503	24APR2007	SW	CR		



- 1. PARTS PACKAGED UNASSEMBLED.
- 3. CABLE DIAMETER RANGE: .180[4.6]-.236[6.0].



ASSEMBLED VIEW

STRANDED	1546907-2
SOLID	1546907-1
WIRE TYPE	PART NUMBER

THIS DRAWING IS A CONTROLLED DOCUMENT FOR TYCO ELECTRONICS CORPORATION. IT IS SUBJECT TO CHANGE AND THE CONTROLLING ENGINEERING ORGANIZATION SHOULD BE CONTACTED FOR THE LATEST REVISION.		DWN	08MAR2004	<b>AMP</b> Tyco Electronics Harrisburg, PA 17105-3608	
DIMENSIONS: INCHES		CHK	08MAR2004		
TOLERANCES UNLESS OTHERWISE SPECIFIED:		APVD	08MAR2004		
0 PLC ± 1 PLC ±0.1 2 PLC ±0.02 3 PLC ±0.005 4 PLC ±0.0005 ANGLES ± FINISH		PRODUCT SPEC			
MATERIAL		APPLICATION SPEC		NAME	PLUG KIT, UNASSEMBLED, SHIELDED, CPC INDUSTRIAL ETHERNET
		WEIGHT		SIZE	A2
		CUSTOMER DRAWING		CAGE CODE	00779
				DRAWING NO	1546907
				RESTRICTED TO	
				SCALE	2:1
				SHEET	1
				OF	1
				REV	B