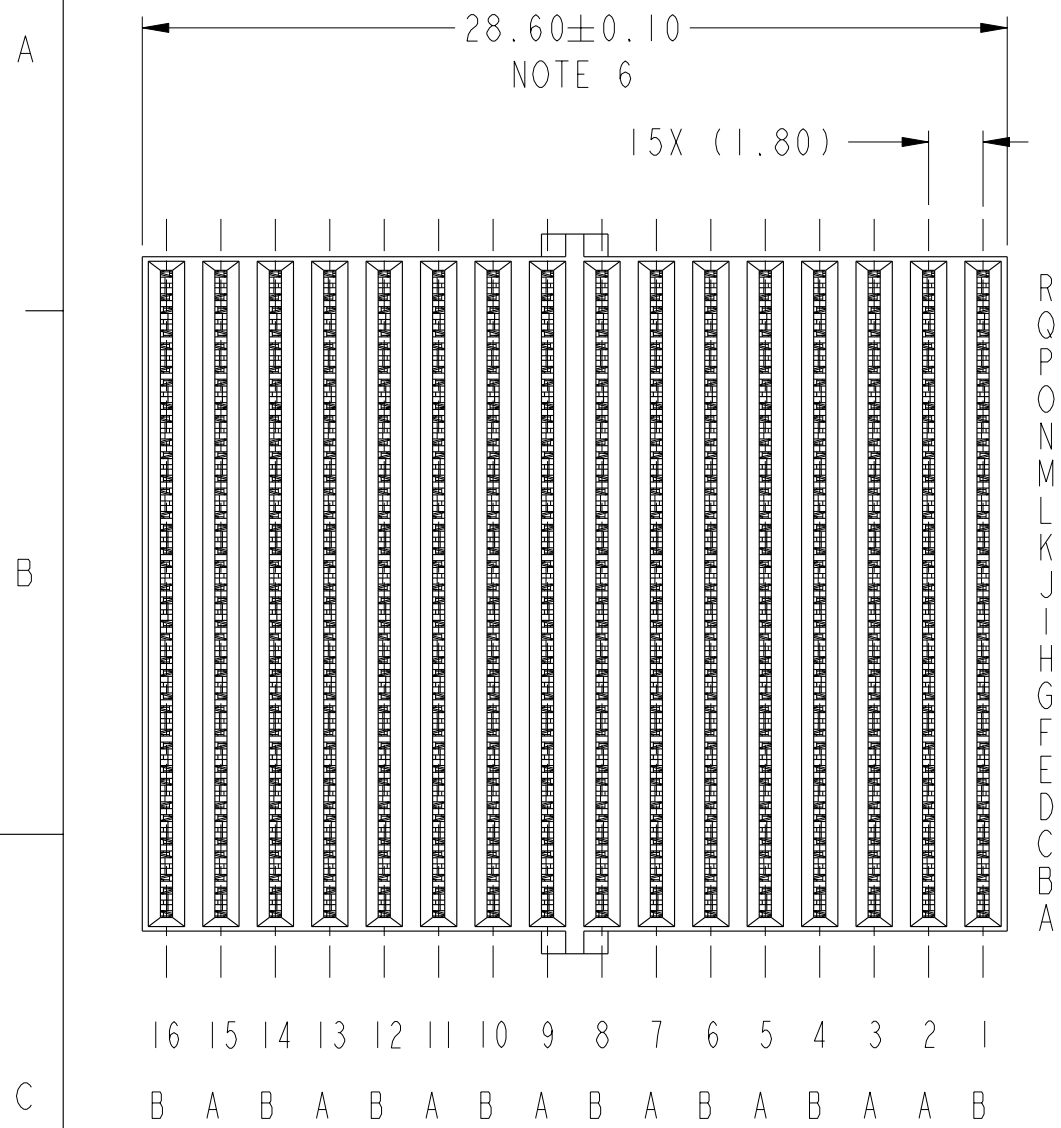
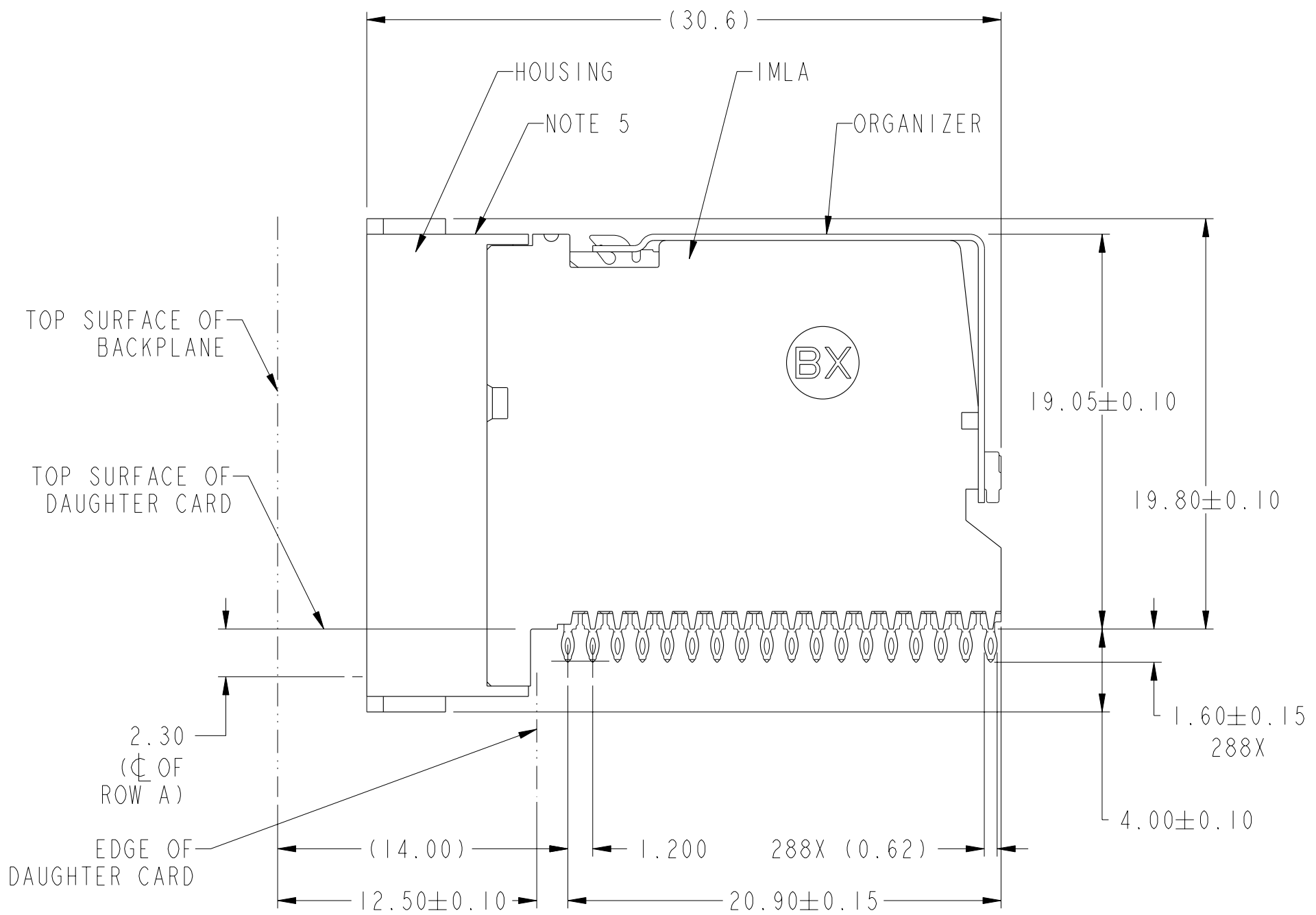


PRODUCT NUMBER  
SEE SHEET 3



NOTE 12



FCj  
Copyright FCI.

rev	ecn no	dr	date
A	V09-0423	MRG	2009-08-12
-	-	-	-
-	-	-	-
-	-	-	-
-	-	-	-
-	-	-	-

www.fciconnect.com		surface - ✓	tolerance std	projection	MM
		TOLERANCES UNLESS OTHERWISE SPECIFIED			Scale 4:1
Dr	STU STONER	2008-07-10	ANGULAR	0.X	±
Eng	S MINICH	2008-07-10	LINEAR	0.XX	±
Chr	S MINICH	2008-07-10	0° ±°	0.XXX	±
Appr	S MINICH	2008-07-10	Product family	ZipLine	Spec ref ---
FCj		Title		Rev.	
		ZipLine R/A REC ASSY		10088314	
		6 PR,16 IMLA,1.8MM PITCH,28.8MM, JUNIPER SPECIAL		A	
		catalog no		CUSTOMER sheet 1 of 3	

1

2

3

4

A

B

C

D

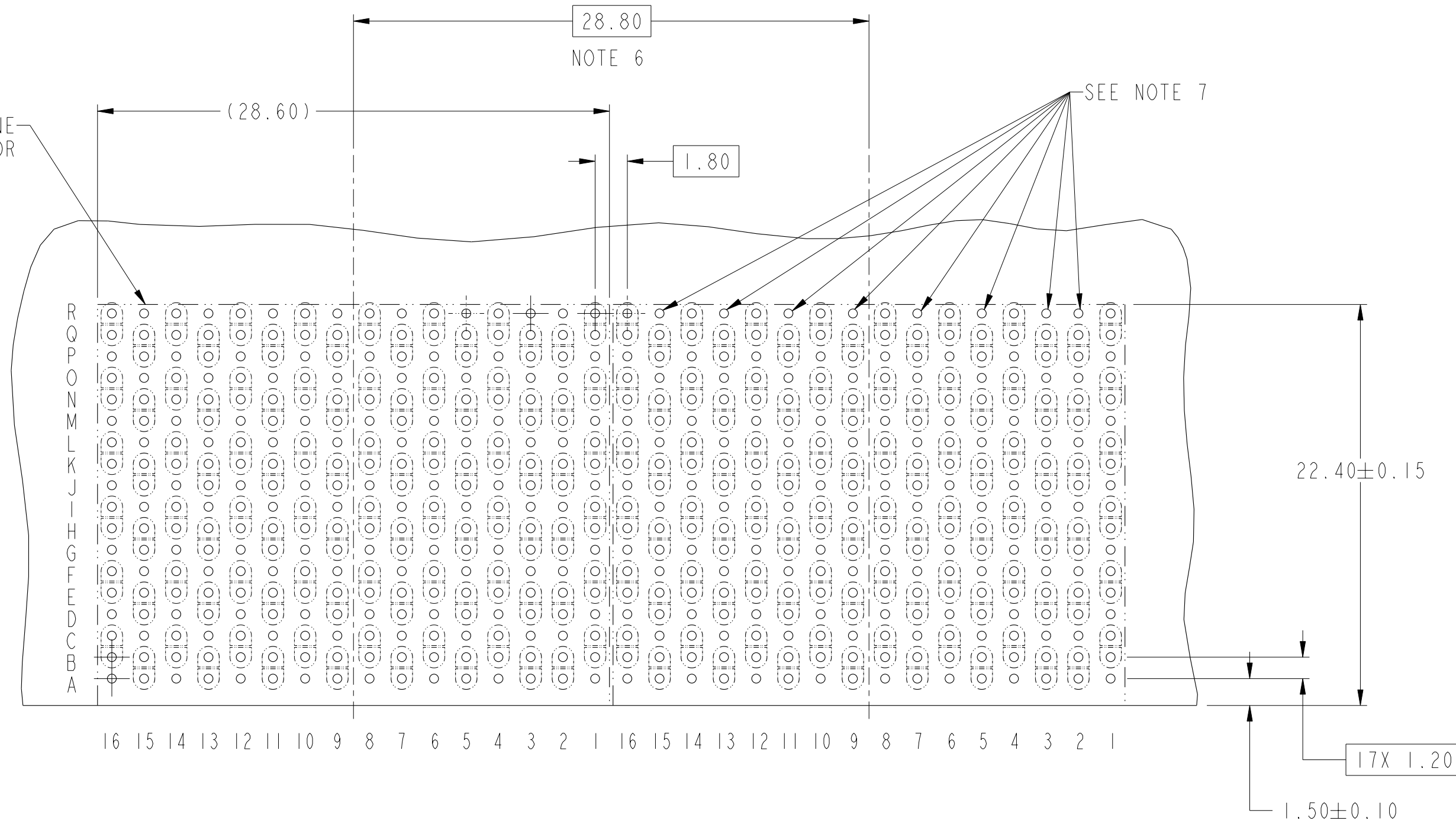
A

B

C

D

NOMINAL OUTLINE  
OF CONNECTOR



RECOMMENDED PCB LAYOUT  
 FOR DIFFERENTIAL APPLICATIONS  
 COMPONENT SIDE  
 (TWO ADJACENT FOOTPRINTS SHOWN)  
 NOTES 6, 7, & 8



Copyright FCI.

	Title ZipLine R/A REC ASSY 6 PR, 16 IMLA, 1.8MM PITCH, 28.8MM, JUNIPER SPECIAL	dwg no 10088314	Rev. A
	catalog no -	CUSTOMER	sheet 2 of 3

2

3

PRODUCT NUMBER	PRESS-FIT TAIL PLATING TYPE
10088314-101	TIN/LEAD ALLOY OVER NICKEL
10088314-101LF	TIN OVER NICKEL (LEAD FREE)

- ① - CONNECTOR MATERIALS:  
HOUSING: HIGH TEMP THERMOPLASTIC, BLACK, UL94-V0  
IMLA PLASTIC: HIGH TEMP THERMOPLASTIC, BLACK, UL94-V0  
CONTACT: COPPER ALLOY  
ORGANIZER: STAINLESS STEEL
- 2 - CONTACT PLATING:  
SEPARABLE INTERFACE:  
PERFORMANCE-BASED PLATING, QUALIFIED TO MEET THE REQUIREMENTS OF FCI PRODUCT SPECIFICATION GS-12-452 INCLUDING TELCORDIA GR-1217-CORE (NOVEMBER 1995) CENTRAL OFFICE TEST SEQUENCE
- PRESS-FIT TAILS: SEE TABLE
- 3 - PRODUCT SPECIFICATION: GS-12-452
- 4 - APPLICATION SPECIFICATION: GS-20-094
- ⑤ - PRODUCT MARKING, (PART NUMBER & LOT CODE), ON THIS SURFACE.
- ⑥ - THE MINIMUM CENTERLINE SPACING BETWEEN ADJACENT MODULES IS 28.8MM.
- ⑦ - THERE IS NO GROUND BUSSING WITHIN THE CONNECTOR EXCEPT FOR POSITIONS R2, R3, R5, R7, R9, R11, R13, & R15. THESE MUST BE ASSIGNED AS GROUNDS.

- ⑧ - REFER TO CUSTOMER DRAWING 10045979 FOR INFORMATION ON PCB HOLE DIAMETERS AND PLATING OPTIONS
- 9 - LEAD FREE PRODUCT MEETS THE EUROPEAN UNION DIRECTIVES & OTHER COUNTRY REGULATIONS AS DESCRIBED IN GS-22-008
- 10 - THE HOUSING WILL WITHSTAND EXPOSURE TO 260°C PEAK TEMPERATURE FOR 40 SECONDS IN A CONVECTION, INFRA-RED, OR VAPOR PHASE REFLOW OVEN.
- 11 - PACKAGING MEETS GS-14-920 LEAD FREE LABELING SPECIFICATION.
- ⑫ - A AND B IMLA LOCATIONS ARE REVERSED FOR COLUMNS 1 & 2.



Copyright FCI.

	<b>title</b> ZipLine R/A REC ASSY 6 PR, 16 IMLA, 1.8MM PITCH, 28.8MM, JUNIPER SPECIAL	<b>dwg no</b> 10088314	<b>Rev.</b> A
	<b>catalog no</b> -	CUSTOMER	sheet 3 of 3