

## Distributor - SAC-ASI-J-Y-Y-N - 1405622


Please be informed that the data shown in this PDF Document is generated from our Online Catalog. Please find the complete data in the user's documentation. Our General Terms of Use for Downloads are valid (<http://phoenixcontact.com/download>)



AS-Interface H-distributor with a high degree of protection, parallel wired, for the distribution of AS-Interface flat-ribbon conductors



### Key Commercial Data

Packing unit	1 STK
GTIN	 4 046356 754934
GTIN	4046356754934

### Technical data

#### Mechanical characteristics

Number of positions	4
Connection method	AS-i penetration technique
Color	black
Tightening torque, min.	1.65 Nm
Degree of protection	IP65/IP67

#### Ambient conditions

Ambient temperature (operation)	-25 °C ... 75 °C (Plug / socket)
Ambient temperature (storage/transport)	-25 °C ... 85 °C
Degree of protection	IP65
	IP67

#### Material data

Housing material	PBT
Contact material	CuSn
Contact surface material	Au

#### Electrical characteristics

Rated voltage (III/3)	≤ 32 V
-----------------------	--------

# Distributor - SAC-ASI-J-Y-Y-N - 1405622

## Technical data

### Electrical characteristics

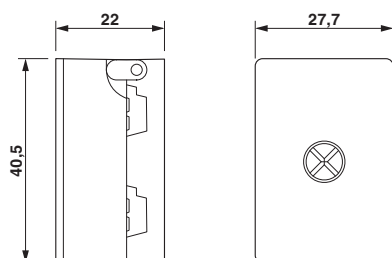
Rated current	≤ 8 A
---------------	-------

### Environmental Product Compliance

China RoHS	Environmentally friendly use period: unlimited = EFUP-e
	No hazardous substances above threshold values

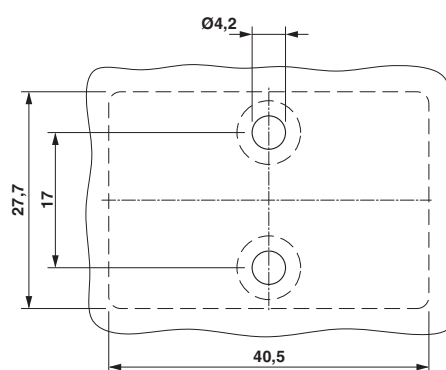
## Drawings

Dimensional drawing



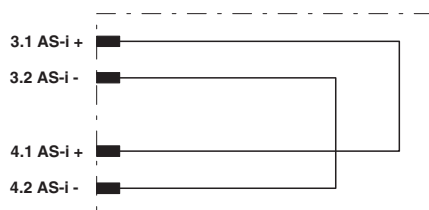
Distributor, AS-Interface

Dimensional drawing



Distance and position of the mounting holes

Circuit diagram



Contact assignment of the AS-Interface distributor