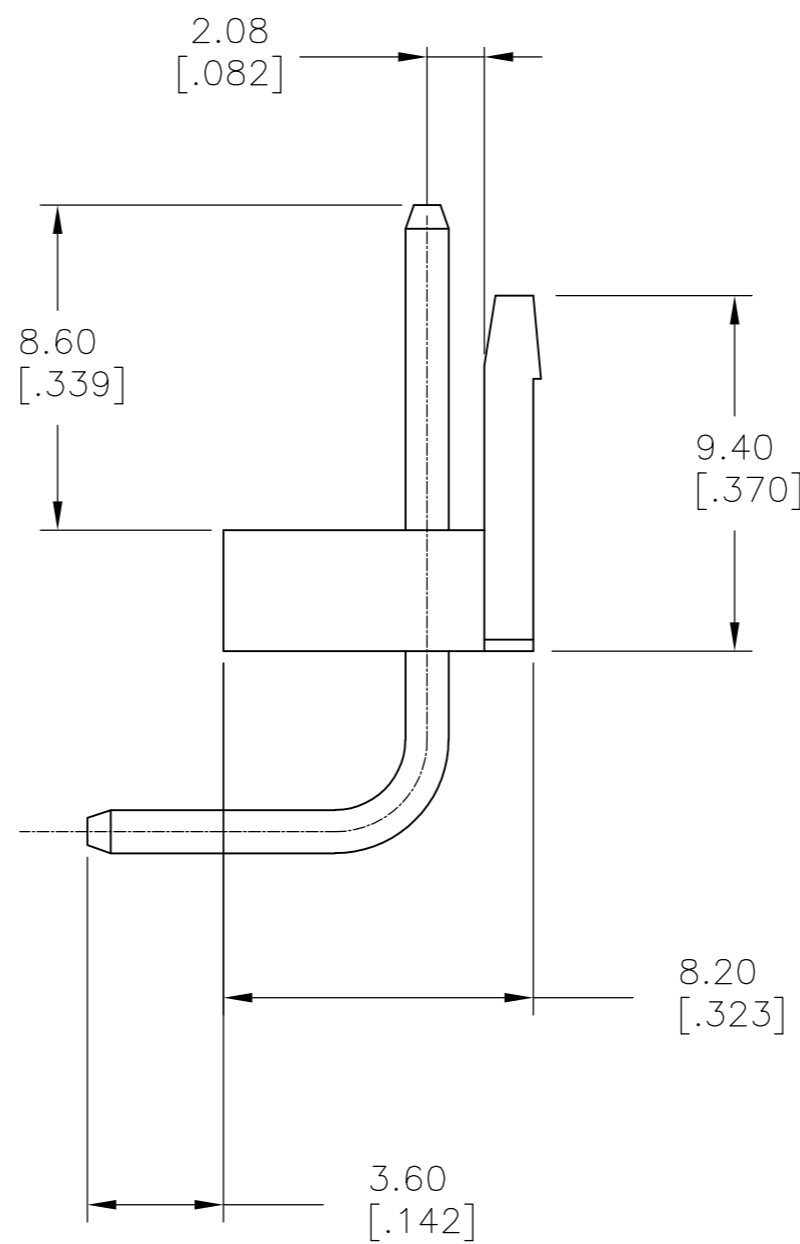
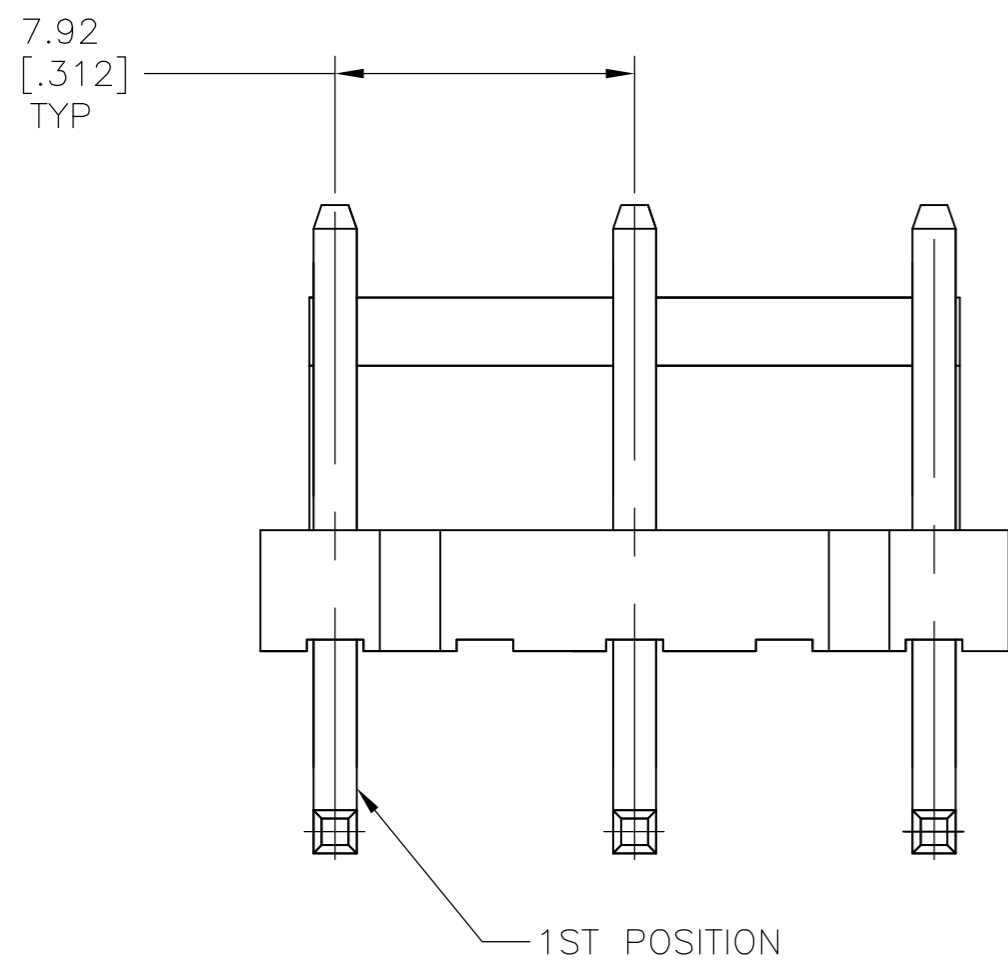
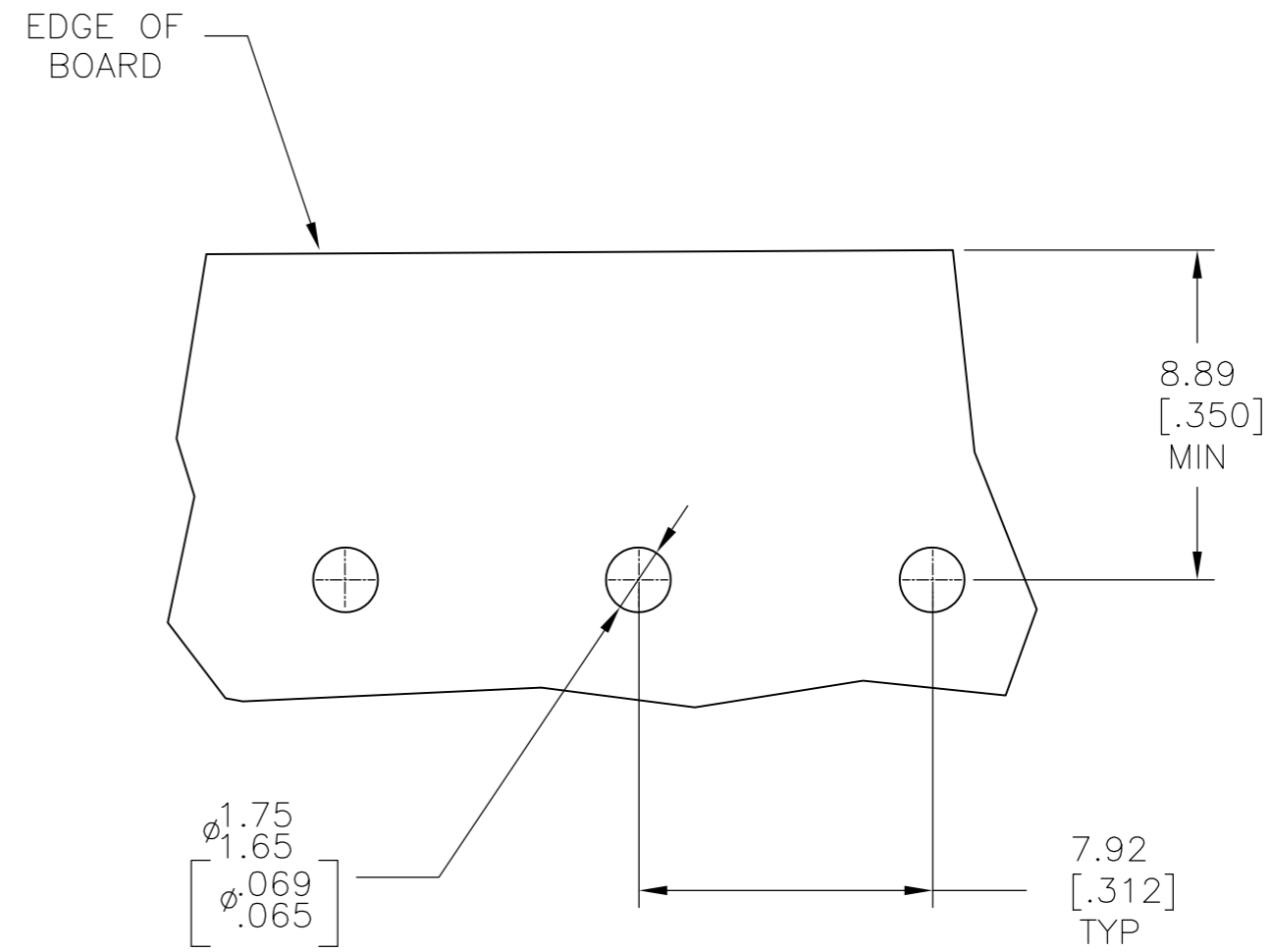
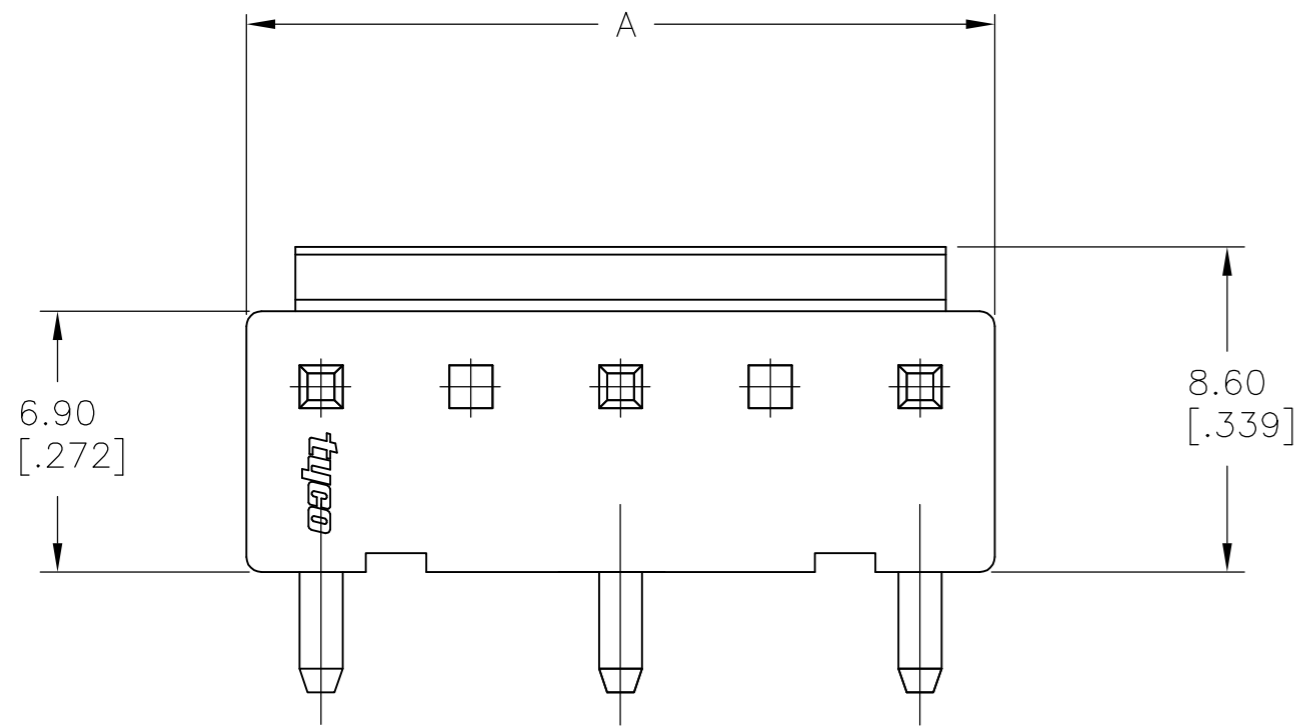


THIS DRAWING IS UNPUBLISHED. RELEASED FOR PUBLICATION
 © COPYRIGHT BY TYCO ELECTRONICS CORPORATION. ALL INTERNATIONAL RIGHTS RESERVED.

LOC		DIST		REVISIONS			
P	LTR	DESCRIPTION		DATE	DWN	APVD	
GP	00	E		REV PER ECO-09-018042	04AUG2009	CR	CR



1. HOUSING MATERIAL: THERMOPLASTIC NYLON 66, UL94V-0 NATURAL
2. CONTACT MATERIAL: BRASS
3. CONTACT PLATING: 80u" TIN PLATED ON CONTACT AREA.

2, 4	19.80	[.780]	1744336-1
POST NO. OMITTED	mm	[IN]	PART NUMBER
DIM A ±0.30			

THIS DRAWING IS A CONTROLLED DOCUMENT.		DWN K. WHITAKER 29MAY2008	Tyco Electronics Corporation Harrisburg, PA 17105-3608	
DIMENSIONS: mm [INCHES]		CHK S. RIDGILL 29MAY2008	NAME S. RIDGILL 29MAY2008	
TOLERANCES UNLESS OTHERWISE SPECIFIED:		APVD S. RIDGILL 29MAY2008	PRODUCT SPEC	
0 PLC ± -		APPLICATION SPEC		
1 PLC ± -		WEIGHT		
2 PLC ± -		SCALE		
3 PLC ± 0.13 [.005]		CAGE CODE		
4 PLC ± -		DRAWING NO		
ANGLES ± -		RESTRICTED TO		
FINISH		A2 00779 C=1744336		
MATERIAL		CUSTOMER DRAWING		
SEE NOTES		SCALE 5:1 SHEET 1 OF 1 REV E		

METRIC