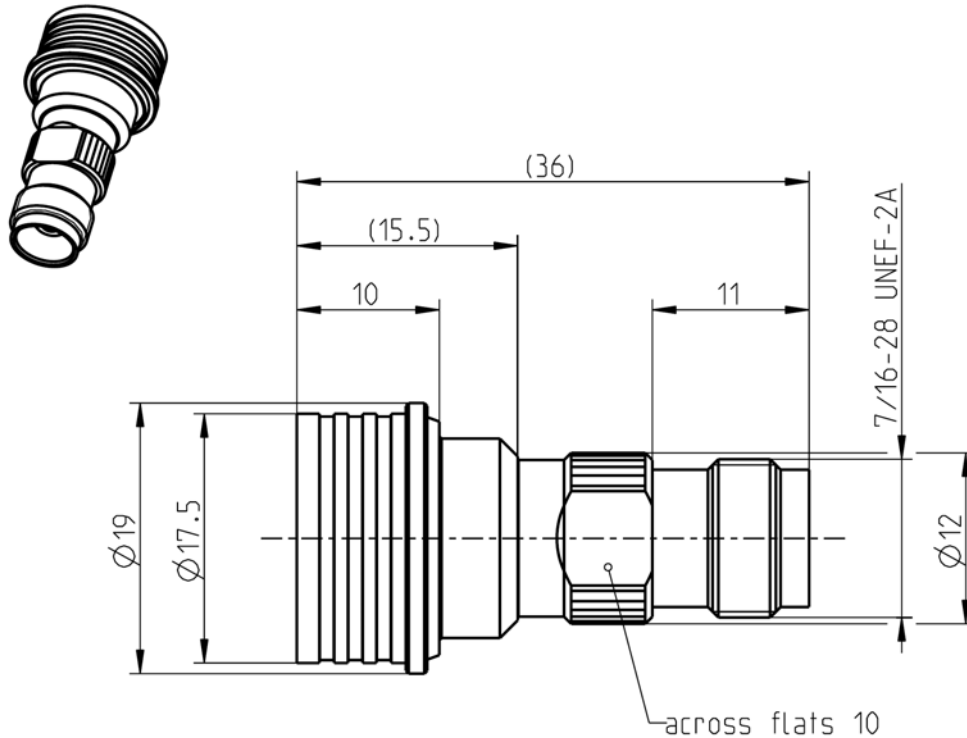


ADAPTOR  
QN 50Ω PLUG – TNC 50Ω JACK

**153QS156-K00N5**



All dimensions are in mm; tolerances according to ISO 2768 m-H

**Interface**

QN according to

QLF® (Quick Lock Formula)

Rosenberger is an authorized QLF® manufacturer

TNC according to

IEC 60169-17, MIL-PRF-39012, DIN EN 122200

**Documents**

N/A

**Material and plating**

**Connector parts**

- Center contact
- Outer contact
- Contact spring
- Body
- Dielectric

**Material**

- CuBe
- Brass
- CuBe
- Brass
- PTFE

**Plating**

- AuroDur®, gold plated
- Flash white bronze over silver(e.g. Optargen®)
- AuroDur®, gold plated
- Flash white bronze over silver(e.g. Optargen®)

Dieses Dokument ist urheberrechtlich geschützt • This document is protected by copyright • Rosenberger Hochfrequenztechnik GmbH & Co. KG

RF\_35/05.10/6.0

**Electrical data**

Impedance	50 Ω	
Frequency	DC to 6 GHz	
Return loss	≥ 30 dB, DC to 3 GHz	
	≥ 20 dB, 3 to 6 GHz	
Insertion loss	≤ 0.05 dB x √ f [GHz]	
Insulation resistance	≥ 5 x10 <sup>3</sup> MΩ	
Center contact resistance	≤ 1.5 mΩ, QN side	≤ 1.5 mΩ, TNC side
Outer contact resistance	≤ 1.5 mΩ, QN side	≤ 1 mΩ, TNC side
Test voltage	1500 V rms	
Working voltage	500 V rms	
RF-leakage	≤ -90 dB @ DC to 3 GHz	
Power handling (at 20 °C, sea level, VSWR 1.0)	80 W @ 2 GHz	
Intermodulation (3 <sup>rd</sup> order)	≤ -112 dBm @ 2 x 20 W	

**Mechanical data**

	QN side	TNC side
Mating cycles	min. 100	min. 500
Center contact captivation axial	≥ 28 N	≥ 28 N
Engagement force	30 N (typ.)	N/A
Disengagement force	30 N (typ.)	N/A
Coupling test torque	N/A	max. 1.7 Nm
Recommended torque	N/A	0.46 Nm to 0.69 Nm

**Environmental data**

Temperature range	-40 °C to +125 °C
Thermal shock	IEC 60169-1, Sub-clause 16.4
Corrosion resistance	MIL-STD-202, Method 101, Condition B
Vibration	MIL-STD-202, Method 204, Condition A
Shock	MIL-STD-202, Method 213, Condition I
Degree of protection (mated pair)	IEC 60529, IP68 0.3 bar (interface only)
RoHS	compliant

**Tooling**

Crimping tool	N/A
Crimp insert	N/A

**Suitable cables**

N/A

**Weight**

Weight	21.85 g/pce
--------	-------------

While the information has been carefully compiled to the best of our knowledge, nothing is intended as representation or warranty on our part and no statement herein shall be construed as recommendation to infringe existing patents. In the effort to improve our products, we reserve the right to make changes judged to be necessary.

Draft	Date	Approved	Date	Rev.	Engineering change number	Name	Date
Christian Janßen	10/11/08	Sa. Krautenbacher	11.03.14	b00	14-0352	T. Krojer	11.03.14
Rosenberger Hochfrequenztechnik GmbH & Co. KG P.O.Box 1260 D-84526 Tittmoning Germany <a href="http://www.rosenberger.de">www.rosenberger.de</a>					Tel. : +49 8684 18-0 Fax : +49 8684 18-499 Email : <a href="mailto:info@rosenberger.de">info@rosenberger.de</a>		Page 2 / 2