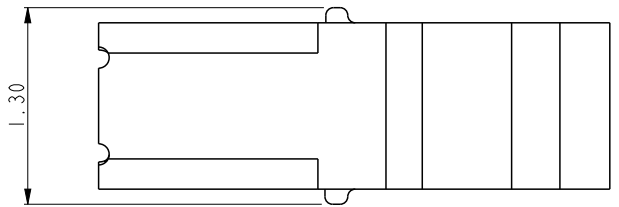
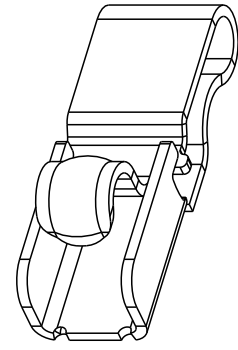
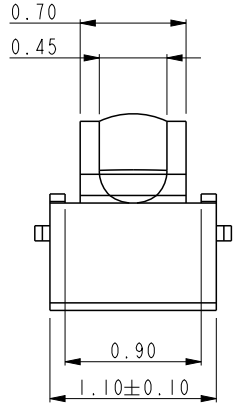
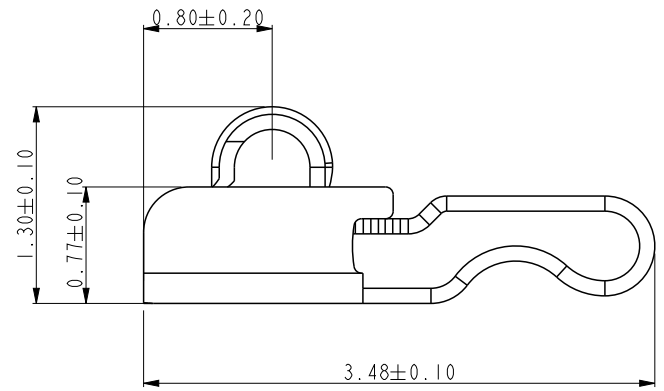




Copyright FCI.

| | |
|-----|---|
| | PRODUCT NO. |
| FCI | 10104320-001RLF 10104320-003RLF 10104320-009RLF |



NOTES:
 1.MATERIAL: BERYLLIUM COPPER ALLOY.
 2.CONTACT PLATING:
 CONTACT AREA: PLATING 1um Au OVER 1.0/3.0um Ni UNDERPLATE,
 or PLATING 0.05 to 0.15um Au OVER 1.0/3.0um Ni UNDERPLATE
 or PLATING 1um GXT OVER 1.0/3.0um Ni UNDERPLATE
 (1um GXT is 0.025~0.125um Au + 0.875um PdNi)
 SOLDER AREA : PLATING 0.05 TO 0.15um Au OVER 1.0/3.0um Ni UNDERPLATE.
 3.PACKAGING: TAPE & REEL
 4.PART NUMBER DESCRIPTION:
 10104320-0 0 X X X

LF: LEAD FREE
 R: TAPE & REEL
 CONTACT PLATING:
 1. 1um Au OVER Ni
 3. 0.05~0.15um Au OVER Ni
 9. 1um GXT OVER Ni

| rev | ecn no | dr | date |
|-----|-----------------|------|------------|
| A | DG09-0331 | NZ | 2009-11-10 |
| B | DG11-0048 | SM | 2011-02-22 |
| C | ELX-DG-010840-1 | ANDY | 2012-03-23 |
| - | - | - | - |
| - | - | - | - |

| | | | | | | | | | | |
|---------------|---------------------------------------|------------------------|----------------|--------------|---|----------------------|------------------------|--------------|-----------------|---------------------------------|
| spec ref | * | dr | Louis Ng | 2009/10/06 | projection | mm | size | A4 | scale | 20.000 |
| tolerance std | TOLERANCES UNLESS OTHERWISE SPECIFIED | eng | Andy Lu | 2012/03/23 | | | ecn no | | ELX-DG-010840-1 | |
| ASME Y14.5 | | chr | Young Ou | 2012/03/26 | | | rel level | | Released | |
| surface | linear | appr | Pei-Ming Zheng | 2012/03/26 | product family | - | dwg no | | 10104320 | |
| | 0.X ±0.25 | | | | title ANTENNA CONNECTOR UNIVERSAL CONTACT | cat. no. 10104320 | Product - Customer Drw | sheet 1 of 1 | rev C | ASME Y14.5 angular 0° ±2° |
| | 0.XX ±0.10 | | | | | | | | | |
| | 0.XXX ±0.050 | | | | | | | | | |
| www.fci.com | | Product - Customer Drw | | sheet 1 of 1 | | | | | | |

ProjE File - REV C - 2009-06-09