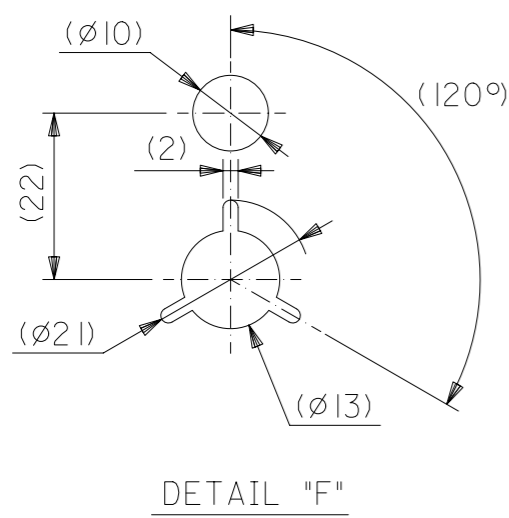
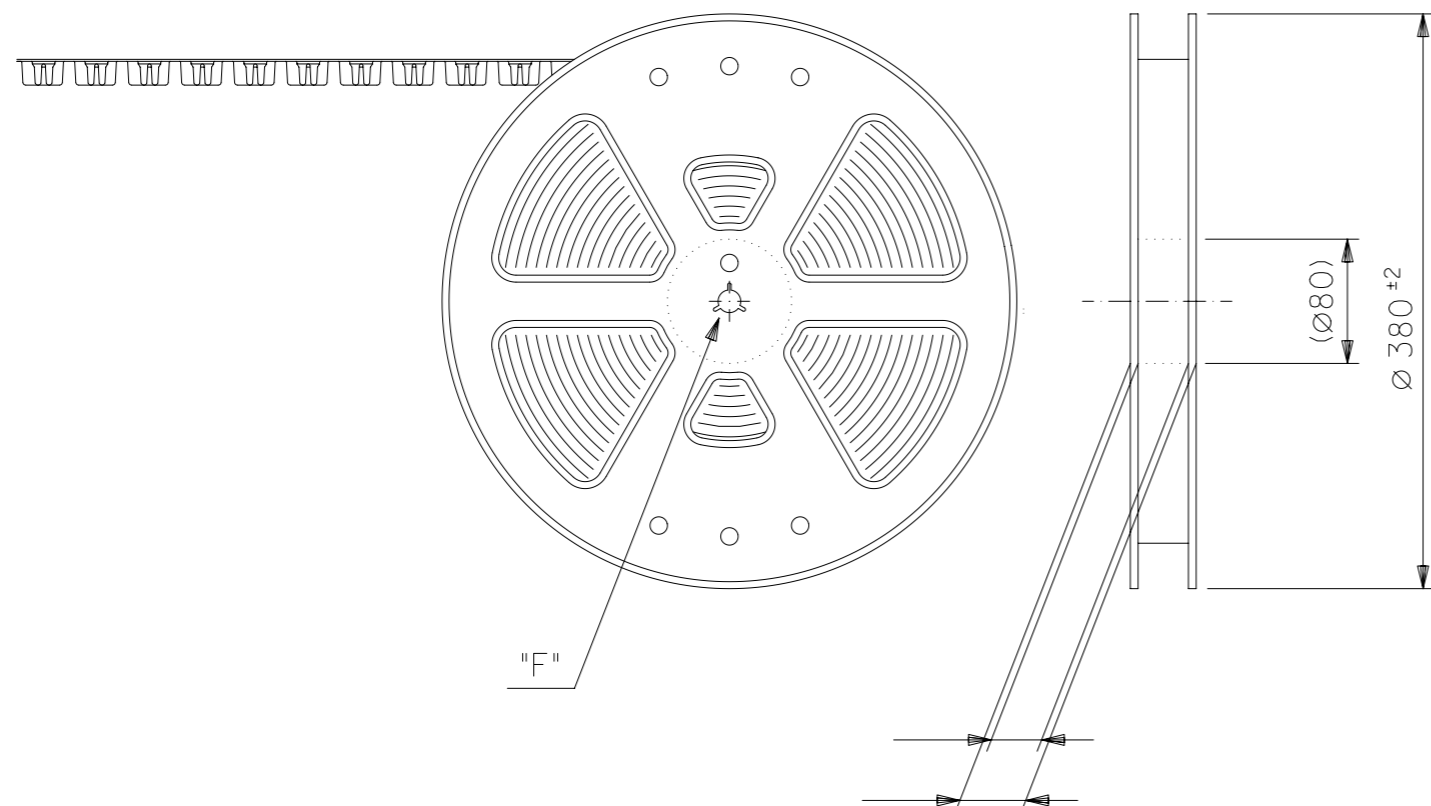


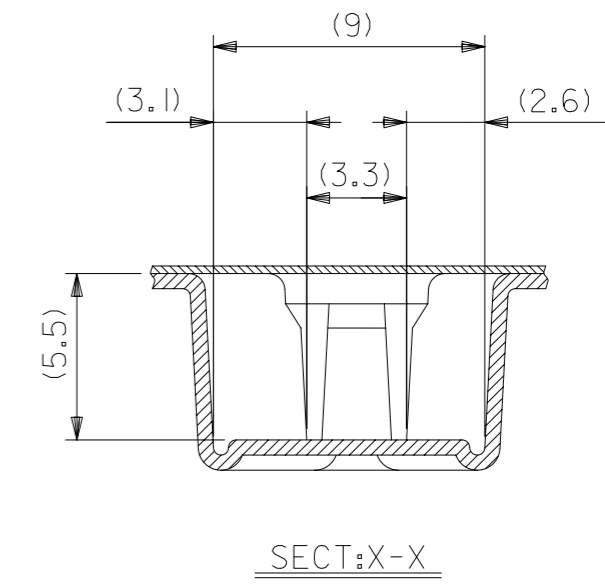
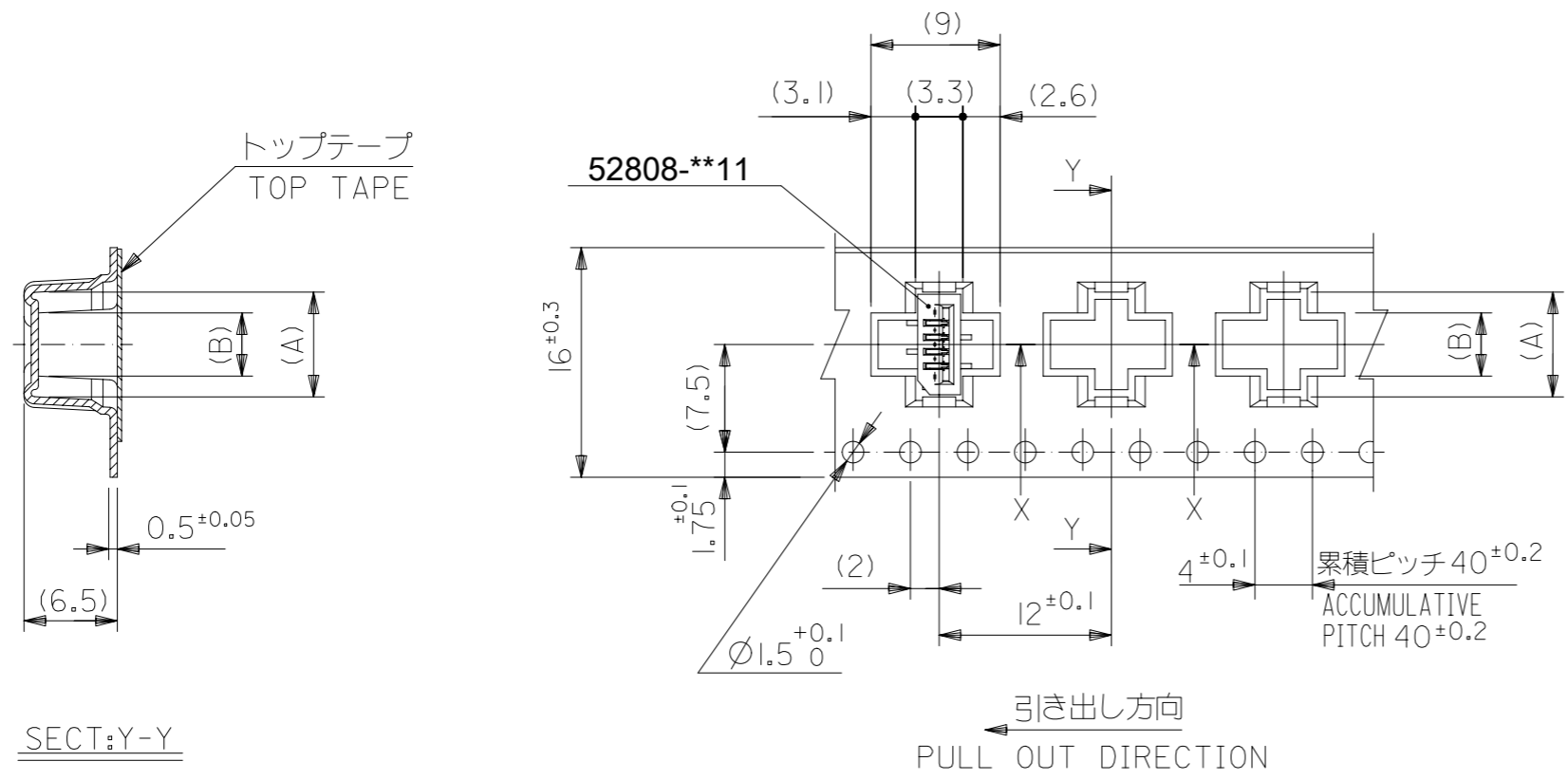
引き出し方向
PULL OUT



NOTE

- 製品詳細寸法については528081002_000を参照下さい。
RE DETAILED DIMENSION, SEE 528081002_000
- 梱包数量:1000個/リール
NUMBER OF CONNECTORS:1000PCS/REEL
- リードテープ長さ LEAD TAPE LENGTH
- カバーテープの剥離強度については IEC 60286-3 に準拠
COVER TAPE PEEL FORCE IS DEFINED BY IEC 60286-3
- 材料 (MATERIAL)
 キャリアテープ(CARRIER TAPE):ポリプロピレン(POLYPROPYLENE)
 トップテープ(TOP TAPE):PET,PE, PEF
 リール(REEL):ポリスチレン(PS) 〈リサイクル材を含む〉
 POLYSTYREN(PS) 〈RECYCLE MATERIAL CONTAINED〉
- 本製品は52808シリーズの金メッキ品です。
THIS PRODUCT IS Au PLATING OF 52808 SERIES.
- ELV 及び RoHS適合品
ELV AND RoHS COMPLIANT.

THIS DRAWING CONTAINS INFORMATION THAT IS PROPRIETARY TO MOLEX ELECTRONIC TECHNOLOGIES, LLC AND SHOULD NOT BE USED WITHOUT WRITTEN PERMISSION										
RELEASED	EC NO. 102905	DRWN: MTAKAHASHI04	CHK'D: KTAKAHASHI	APPR: TKUSUHARA01	DATE: 2016/02/12	DATE: 2016/02/12	DATE: 2016/02/12	GENERAL TOLERANCES (UNLESS SPECIFIED)		
	4 PLACES		± 0.0		ANGULAR TOL ± 0.0°		DIMENSION UNITS		SCALE	
	3 PLACES		± 0.0		2 PLACES		± 0.0		MM	≠≠
	2 PLACES		± 0.0		1 PLACE		± 0.0		DRWN BY	DATE
	0 PLACES		± 0.0		0 PLACES		± 0.0		MTAKAHASHI04	2016/01/29
DRAFT WHERE APPLICABLE MUST REMAIN WITHIN DIMENSIONS					DRAWING SIZE		THIRD ANGLE PROJECTION			
A					A3					
							1.0 FFC CONN NON ZIF SMT ST PKG			
PRODUCT CUSTOMER DRAWING							SERIES	MATERIAL NUMBER	CUSTOMER	
							52808	SEE CHART	GENERAL	
DOCUMENT NUMBER							DOC TYPE	DOC PART	SHEET NUMBER	
528080002							PSD	000	1 OF 6	



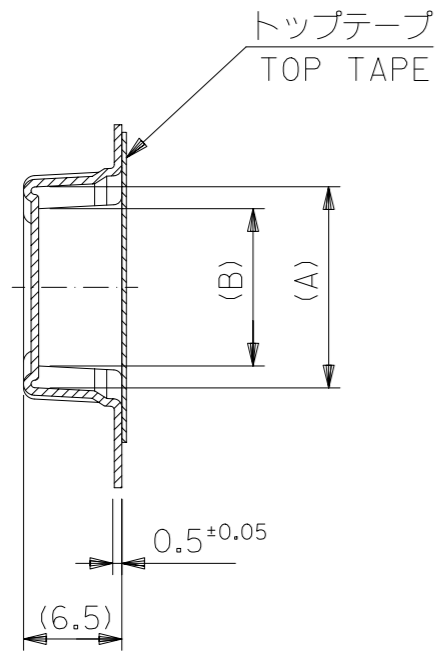
SECT:Y-Y

SECT:X-X

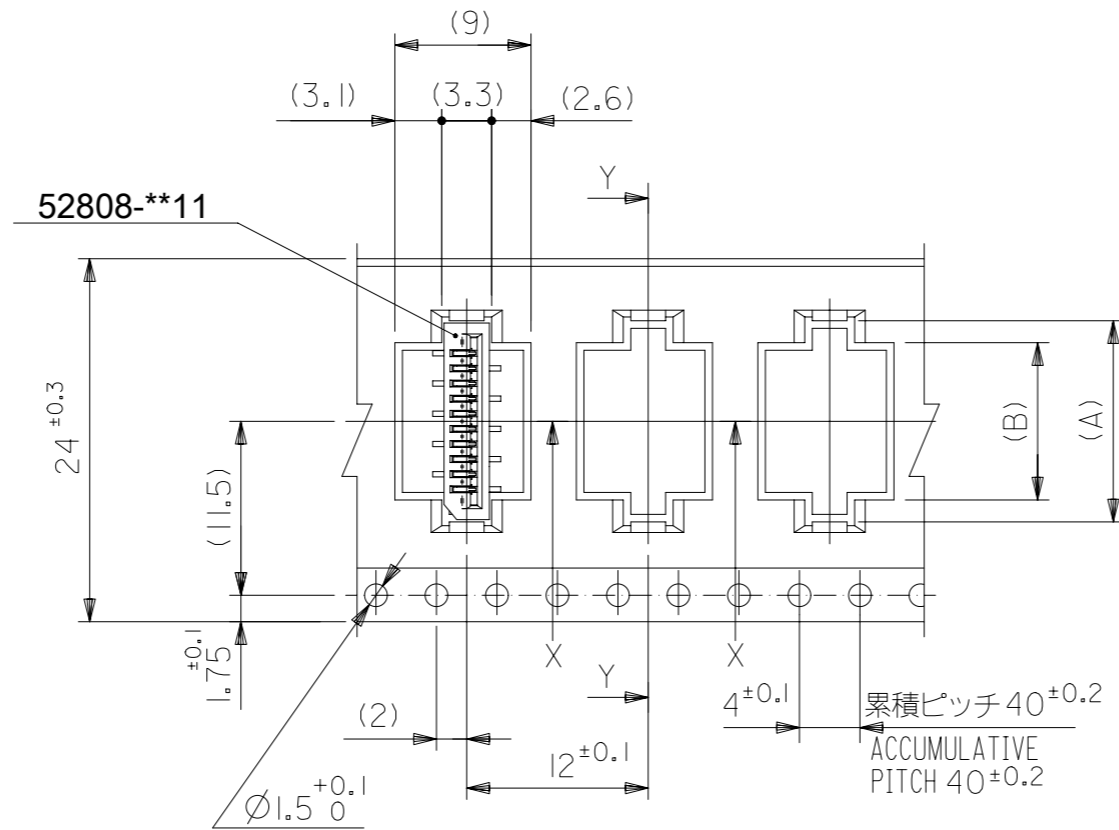
16mm幅キャリアテープ
16mm WIDTH CARRIER TAPE

16	21.4	17.4	5.4	8.3	52808-0572	5
			4.4	7.3	52808-0472	4
キャリアテープ幅 CARRIER TAPE WIDTH	D	C	(B)	(A)	EMBOSSED PACKAGE オーダー番号 ORDER NO.	極数 CKT.
					MODEL NO.	52808-**72

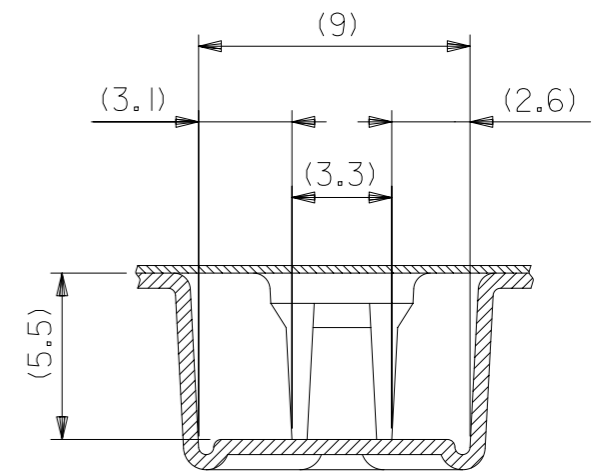
THIS DRAWING CONTAINS INFORMATION THAT IS PROPRIETARY TO MOLEX ELECTRONIC TECHNOLOGIES, LLC AND SHOULD NOT BE USED WITHOUT WRITTEN PERMISSION						
EC NO: 102905 DRWN: MTAKAHASHI04 CHK'D: KTAKAHASHI APPR: TKUSUHARA01	2016/01/29	2016/02/12	2016/02/12	GENERAL TOLERANCES (UNLESS SPECIFIED)	DIMENSION UNITS	SCALE
				ANGULAR TOL ± 0.0°	MM	≠≠
	4 PLACES	± 0.0			DRWN BY	DATE
	3 PLACES	± 0.0			MTAKAHASHI04	2016/01/29
	2 PLACES	± 0.0			CHK'D BY	DATE
				KTAKAHASHI	2016/02/12	
				1 PLACE	± 0.0	
				0 PLACES	± 0.0	
				DRAFT WHERE APPLICABLE MUST REMAIN WITHIN DIMENSIONS	DRAWING SIZE	THIRD ANGLE PROJECTION
					A3	
					1.0 FFC CONN NON ZIF SMT ST PKG	
					PRODUCT CUSTOMER DRAWING	
SERIES		MATERIAL NUMBER		CUSTOMER		
52808		SEE CHART		GENERAL		
DOCUMENT NUMBER			DOC TYPE	DOC PART	SHEET NUMBER	
528080002			PSD	000	2 OF 6	



SECT:Y-Y



引き出し方向
PULL OUT DIRECTION



SECT:X-X

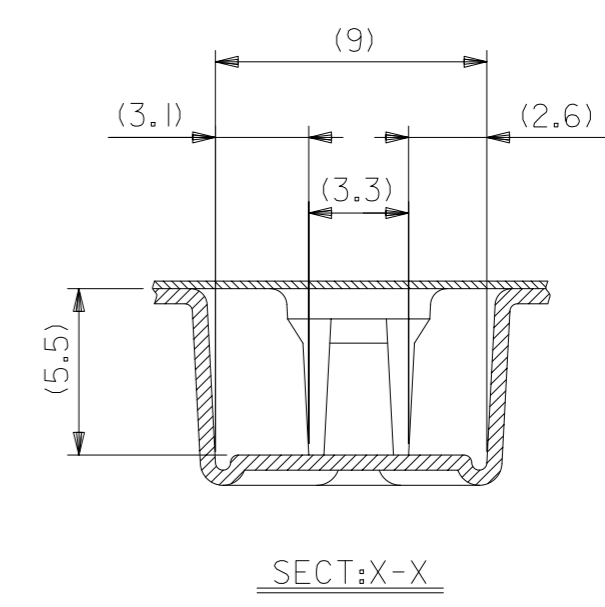
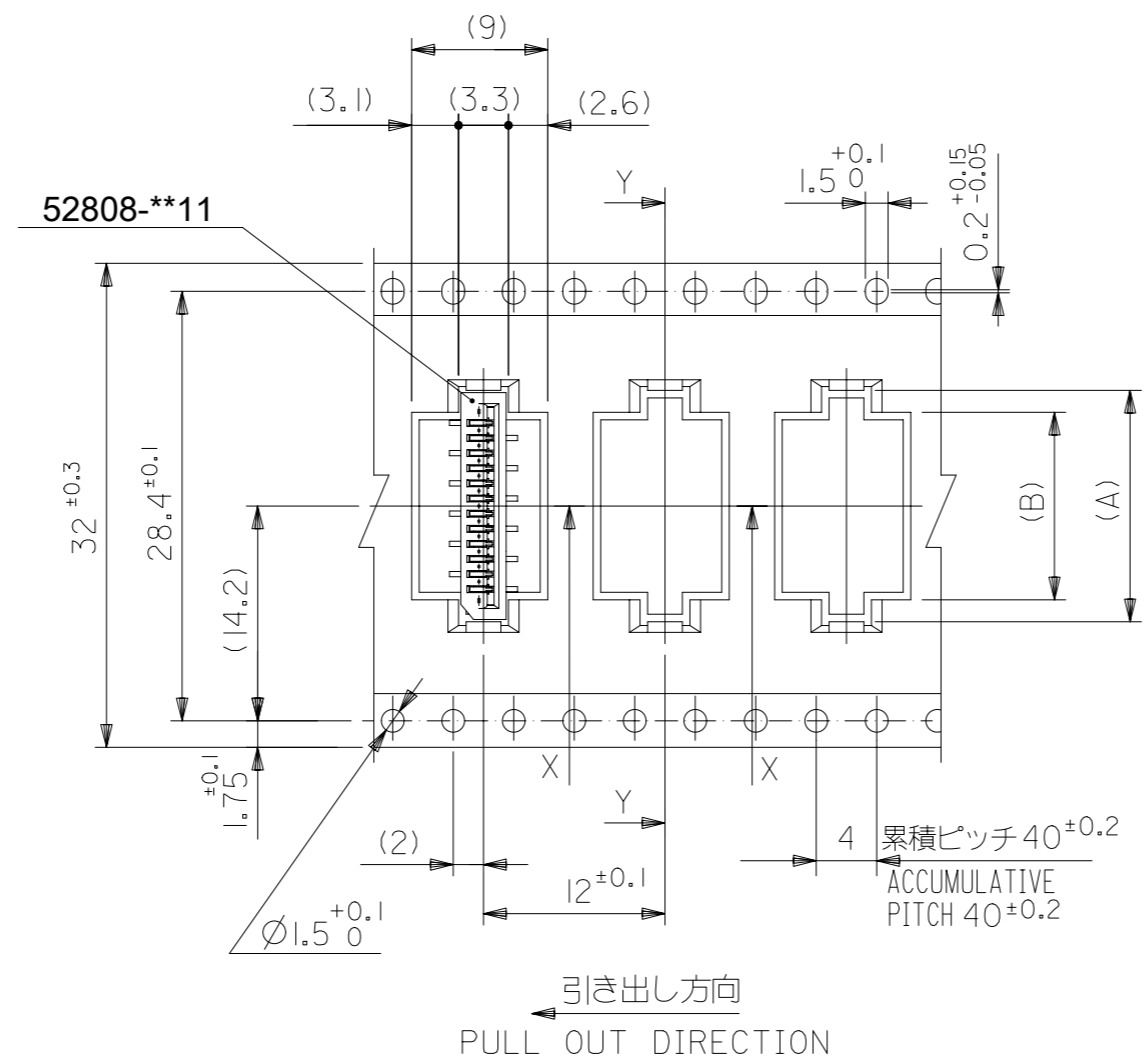
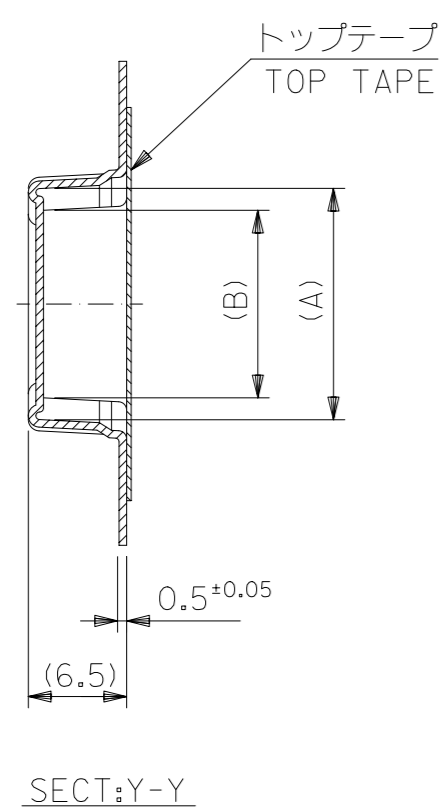
24mm幅キャリアテープ
24mm WIDTH CARRIER TAPE

24	29.4	25.4	10.4	13.3	52808-1072	10
			9.4	12.3	52808-0972	9
			8.4	11.3	52808-0872	8
			7.4	10.3	52808-0772	7
			6.4	9.3	52808-0672	6
キャリアテープ幅 CARRIER TAPE WIDTH		D	C	(B)	(A)	EMBOSSED PACKAGE 極数 オーダー番号 ORDER NO. CKT.

MODEL NO. 52808-**72

THIS DRAWING CONTAINS INFORMATION THAT IS PROPRIETARY TO MOLEX ELECTRONIC TECHNOLOGIES, LLC AND SHOULD NOT BE USED WITHOUT WRITTEN PERMISSION

EC NO: 102905 DRWN: MTAKAHASHI04 CHK'D: KTAKAHASHI APPR: TKUSUHARA01	2016/01/29	2016/02/12	2016/02/12	GENERAL TOLERANCES (UNLESS SPECIFIED) ANGULAR TOL ± 0.0° 4 PLACES ± 0.0 3 PLACES ± 0.0 2 PLACES ± 0.0 1 PLACE ± 0.0 0 PLACES ± 0.0 DRAFT WHERE APPLICABLE MUST REMAIN WITHIN DIMENSIONS	DIMENSION UNITS	SCALE			
	MM	≠≠	DRWN BY		DATE	1.0 FFC CONN NON ZIF SMT ST PKG			
	MTAKAHASHI04	2016/01/29	CHK'D BY		DATE				
	KTAKAHASHI	2016/02/12	APPR BY		DATE				
	TKUSUHARA01	2016/02/12	DRAWING SIZE		THIRD ANGLE PROJECTION				
A3		SERIES	MATERIAL NUMBER	CUSTOMER					
RELEASED	A	REV	52808	SEE CHART	GENERAL	DOCUMENT NUMBER	DOC TYPE	DOC PART	SHEET NUMBER
			528080002	PSD	000	3 OF 6			



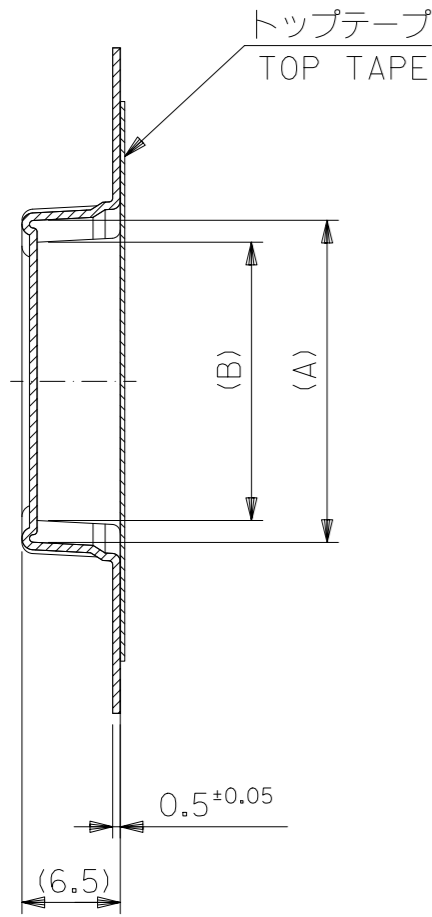
32mm幅キャリアテープ
32mm WIDTH CARRIER TAPE

32	37.4	33.4	15.4	18.3	52808-1972	15	
			14.4	17.3	52808-1772	14	
			13.4	16.3	52808-1572	13	
			12.4	15.3	52808-1372	12	
			11.4	14.3	52808-1172	11	
キャリアテープ幅 CARRIER TAPE WIDTH		D	C	(B)	(A)	EMBOSSED PACKAGE オーダー番号 ORDER NO.	極数 CKT.

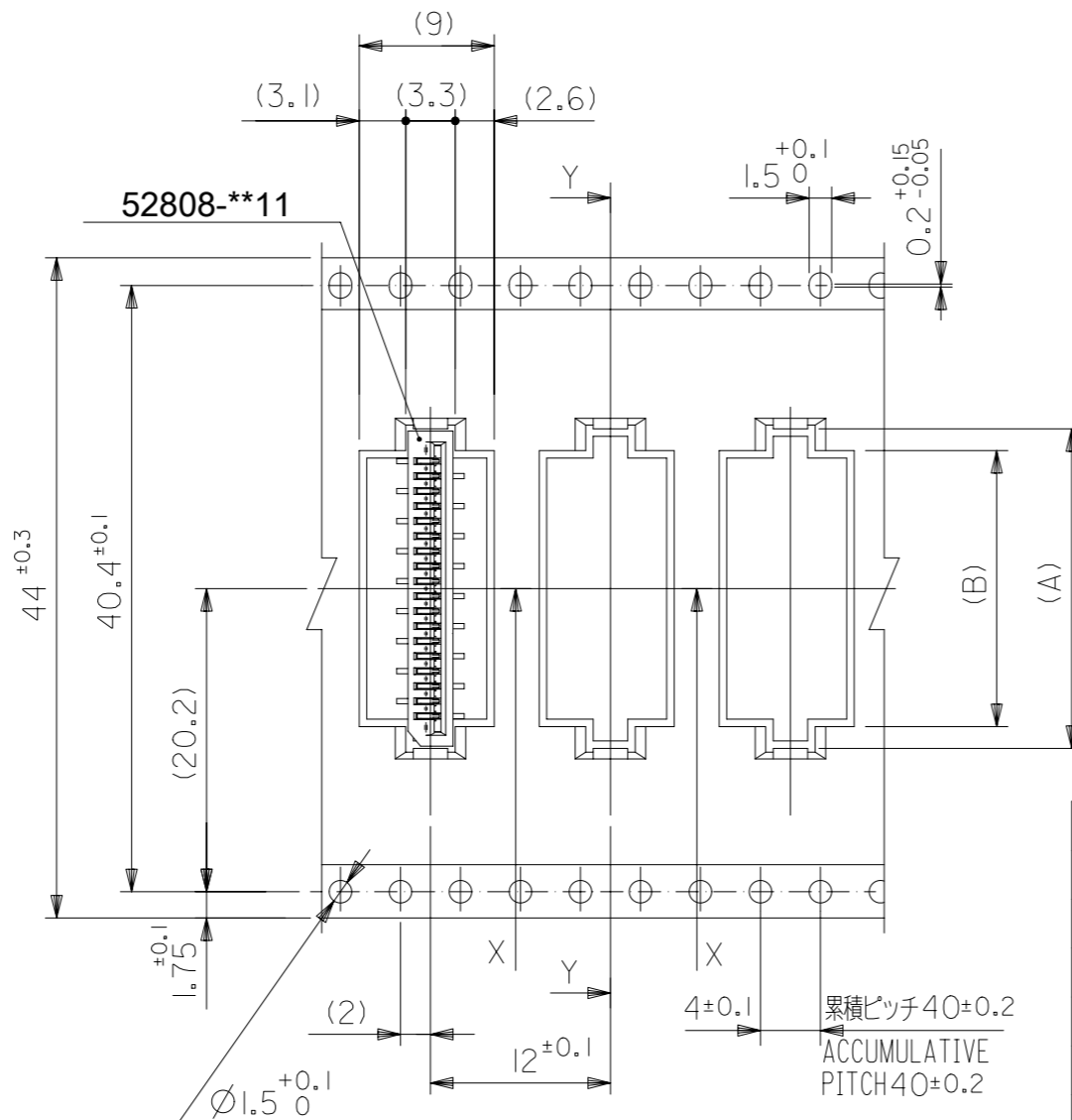
MODEL NO. 52808-**72

THIS DRAWING CONTAINS INFORMATION THAT IS PROPRIETARY TO MOLEX ELECTRONIC TECHNOLOGIES, LLC AND SHOULD NOT BE USED WITHOUT WRITTEN PERMISSION

EC NO: 102905 DRWN: MTAKAHASHI04 CHK'D: KTAKAHASHI APPR: TKUSUHARA01	2016/01/29	2016/02/12	2016/02/12	GENERAL TOLERANCES (UNLESS SPECIFIED)	DIMENSION UNITS	SCALE			
	4 PLACES	± 0.0	ANGULAR TOL ± 0.0°	MM	≠≠	DRWN BY: MTAKAHASHI04 DATE: 2016/01/29			
	3 PLACES	± 0.0	DRAFT WHERE APPLICABLE MUST REMAIN WITHIN DIMENSIONS	DRWN BY	DATE			1.0 FFC CONN NON ZIF SMT ST PKG	
	2 PLACES	± 0.0		CHK'D BY	DATE	PRODUCT CUSTOMER DRAWING			
	1 PLACE	± 0.0		APPR BY	DATE			52808	SEE CHART
0 PLACES	± 0.0	TKUSUHARA01	2016/02/12	DRAWING SIZE	THIRD ANGLE PROJECTION	DOCUMENT NUMBER	DOC TYPE	DOC PART	SHEET NUMBER
A	REV	A3	3	528080002	PSD	000	4 OF 6		

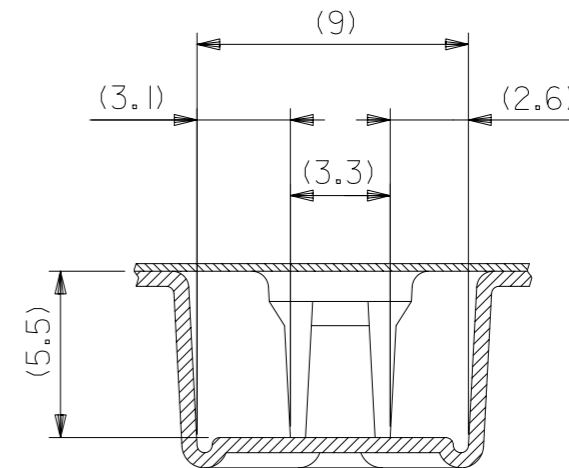


SECT:Y-Y



引き出し方向
PULL OUT DIRECTION

44mm幅キャリアテープ
44mm WIDTH CARRIER TAPE



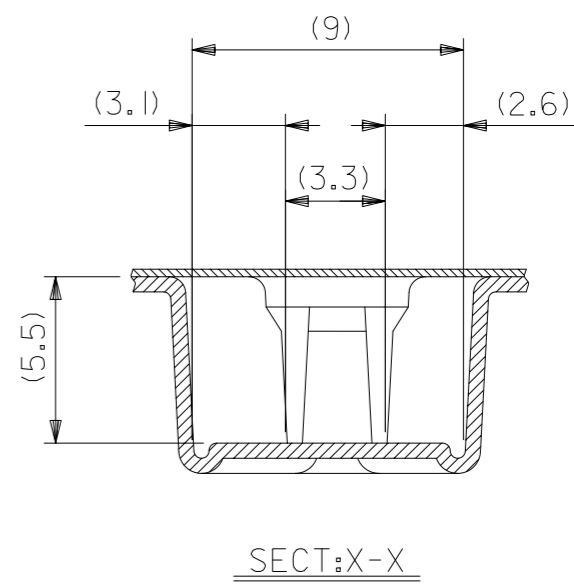
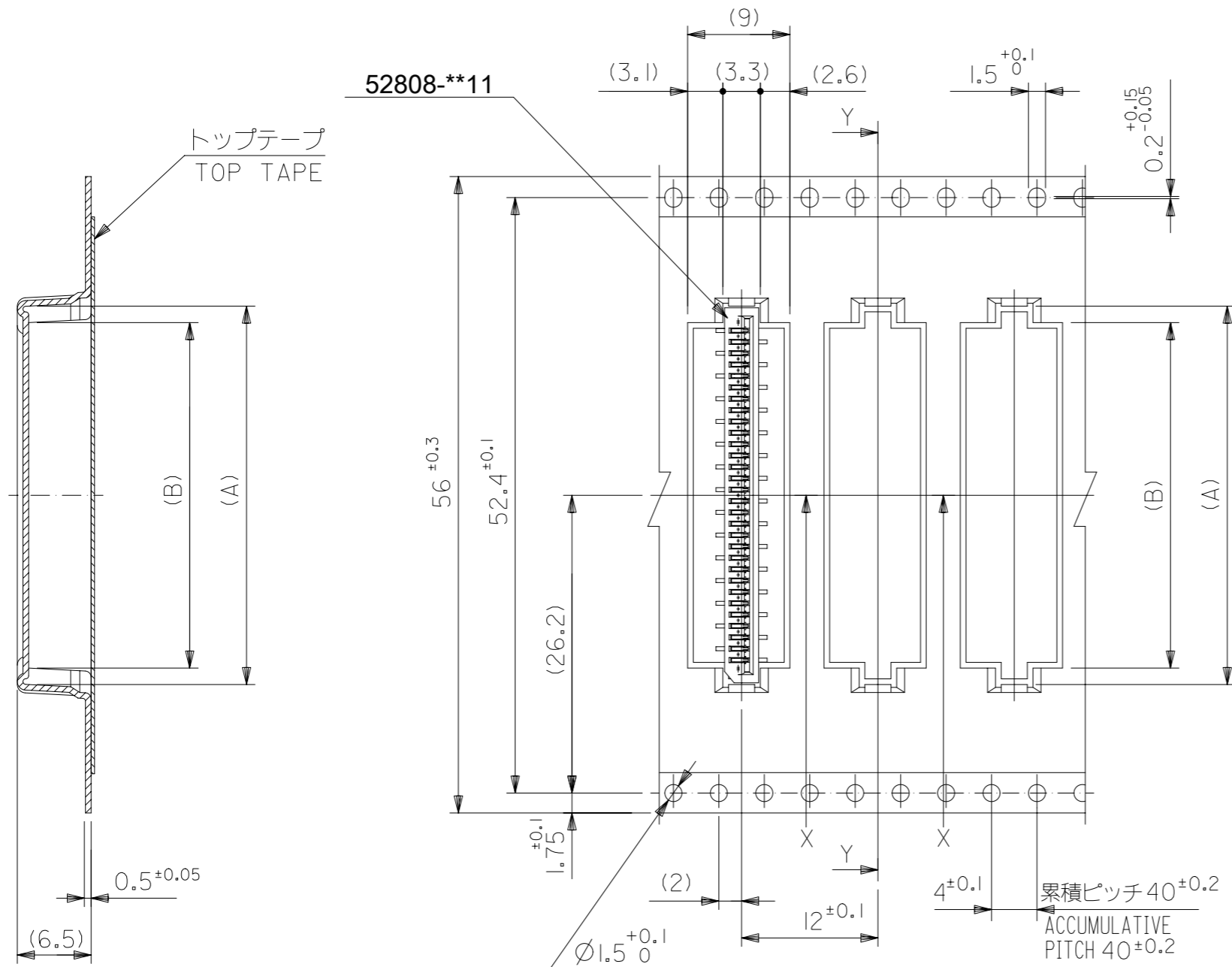
SECT:X-X

44	49.4	45.4	28.4	31.3	52808-2872	28		
			27.4	30.3	52808-2772	27		
			26.4	29.3	52808-2672	26		
			25.4	28.3	52808-2572	25		
			24.4	27.3	52808-2472	24		
			23.4	26.3	52808-2372	23		
			22.4	25.3	52808-2272	22		
			21.4	24.3	52808-2172	21		
			20.4	23.3	52808-2072	20		
			19.4	22.3	52808-1972	19		
			18.4	21.3	52808-1872	18		
			17.4	20.3	52808-1772	17		
16.4	19.3	52808-1672	16					
キャリアテープ幅 CARRIER TAPE WIDTH			D	C	(B)	(A)	EMBOSSED PACKAGE オーダー番号 ORDER NO.	極数 CKT.

MODEL NO. 52808-**72

THIS DRAWING CONTAINS INFORMATION THAT IS PROPRIETARY TO MOLEX ELECTRONIC TECHNOLOGIES, LLC AND SHOULD NOT BE USED WITHOUT WRITTEN PERMISSION

EC NO: 102905 DRWN: MTAKAHASHI04 CHK'D: KTAKAHASHI APPR: TKUSUHARA01	2016/01/29	2016/02/12	2016/02/12	GENERAL TOLERANCES (UNLESS SPECIFIED) ANGULAR TOL ± 0.0° 4 PLACES ± 0.0 3 PLACES ± 0.0 2 PLACES ± 0.0 1 PLACE ± 0.0 0 PLACES ± 0.0 DRAFT WHERE APPLICABLE MUST REMAIN WITHIN DIMENSIONS	DIMENSION UNITS	SCALE		
	RELEASED	MM	≠≠		DRWN BY	DATE		1.0 FFC CONN NON ZIF SMT ST PKG
		MTAKAHASHI04	2016/01/29		CHK'D BY	DATE		
		KTAKAHASHI	2016/02/12		APPR BY	DATE		
		TKUSUHARA01	2016/02/12		DRAWING SIZE	THIRD ANGLE PROJECTION		
A	A3		52808	SEE CHART	GENERAL			
REV			DOCUMENT NUMBER	DOC TYPE	DOC PART	SHEET NUMBER		
			528080002	PSD	000	5 OF 6		



SECT:Y-Y

引き出し方向
PULL OUT DIRECTION

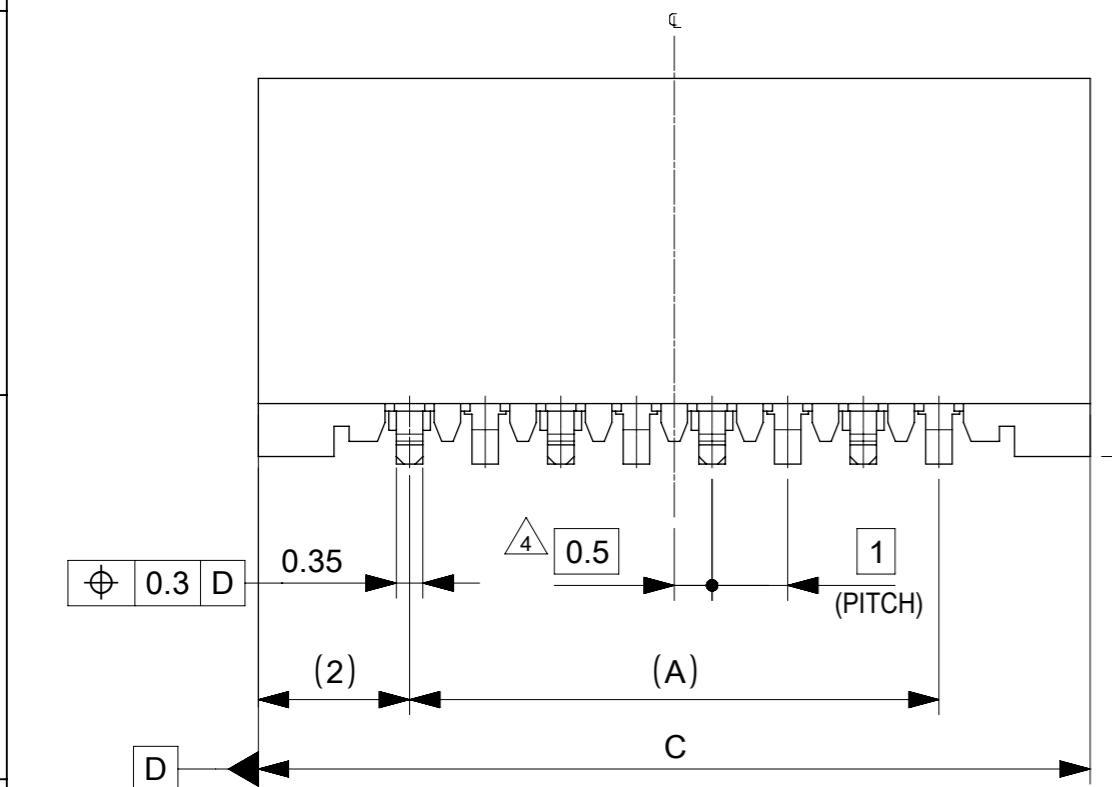
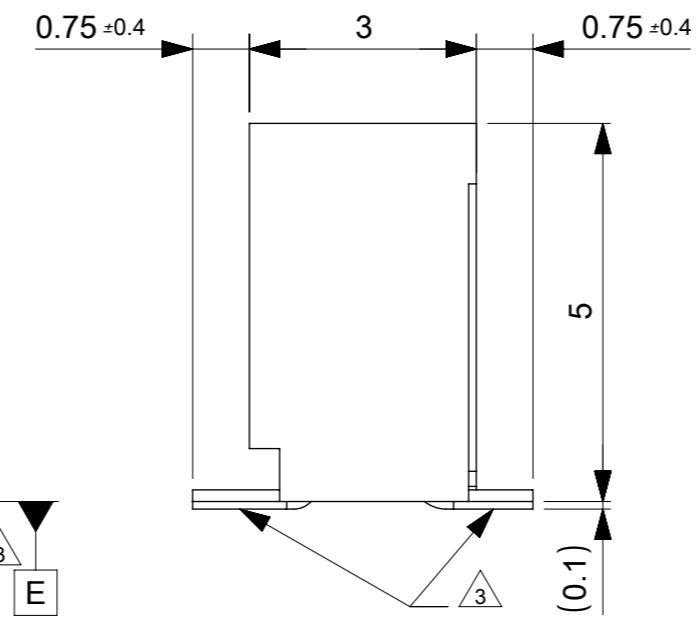
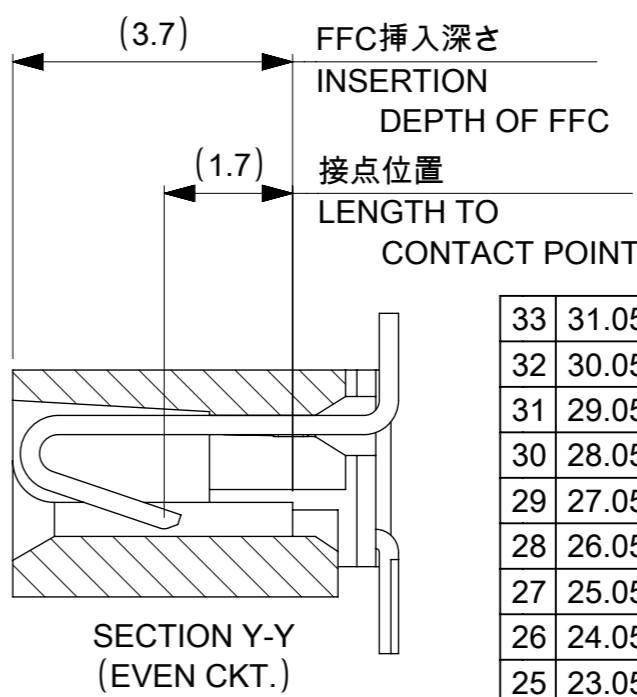
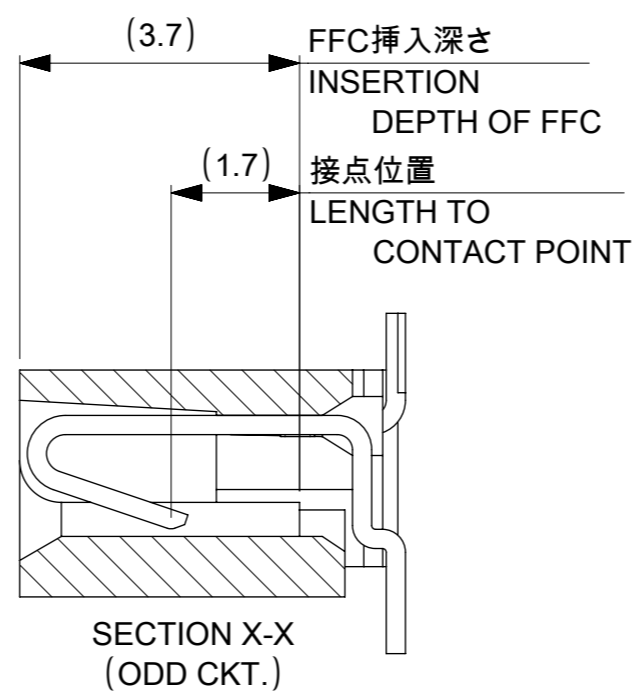
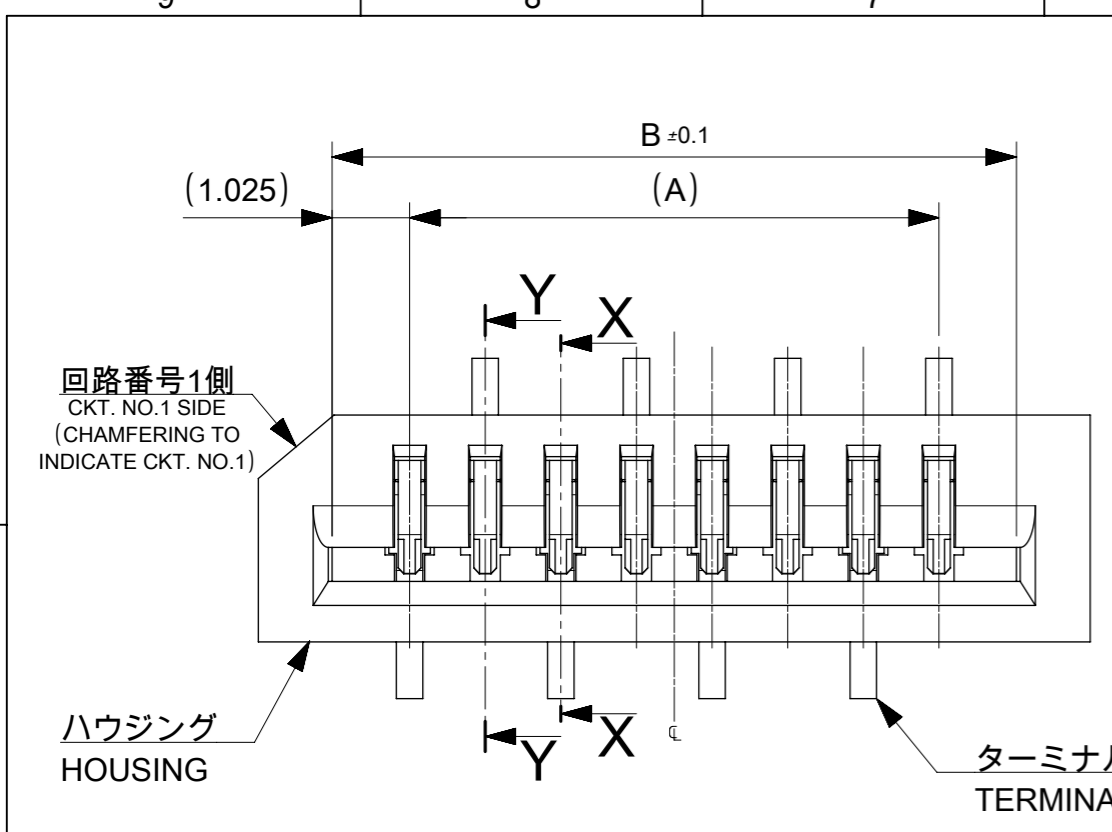
56mm幅キャリアテープ
56mm WIDTH CARRIER TAPE

56	61.4	57.4	30.4	33.3	52808-3072	30
			29.4	32.3	52808-2972	29
キャリアテープ幅 CARRIER TAPE WIDTH					EMBOSSED PACKAGE	極数
					オーダー番号 ORDER NO.	CKT.

MODEL NO. 52808-**72

THIS DRAWING CONTAINS INFORMATION THAT IS PROPRIETARY TO MOLEX ELECTRONIC TECHNOLOGIES, LLC AND SHOULD NOT BE USED WITHOUT WRITTEN PERMISSION

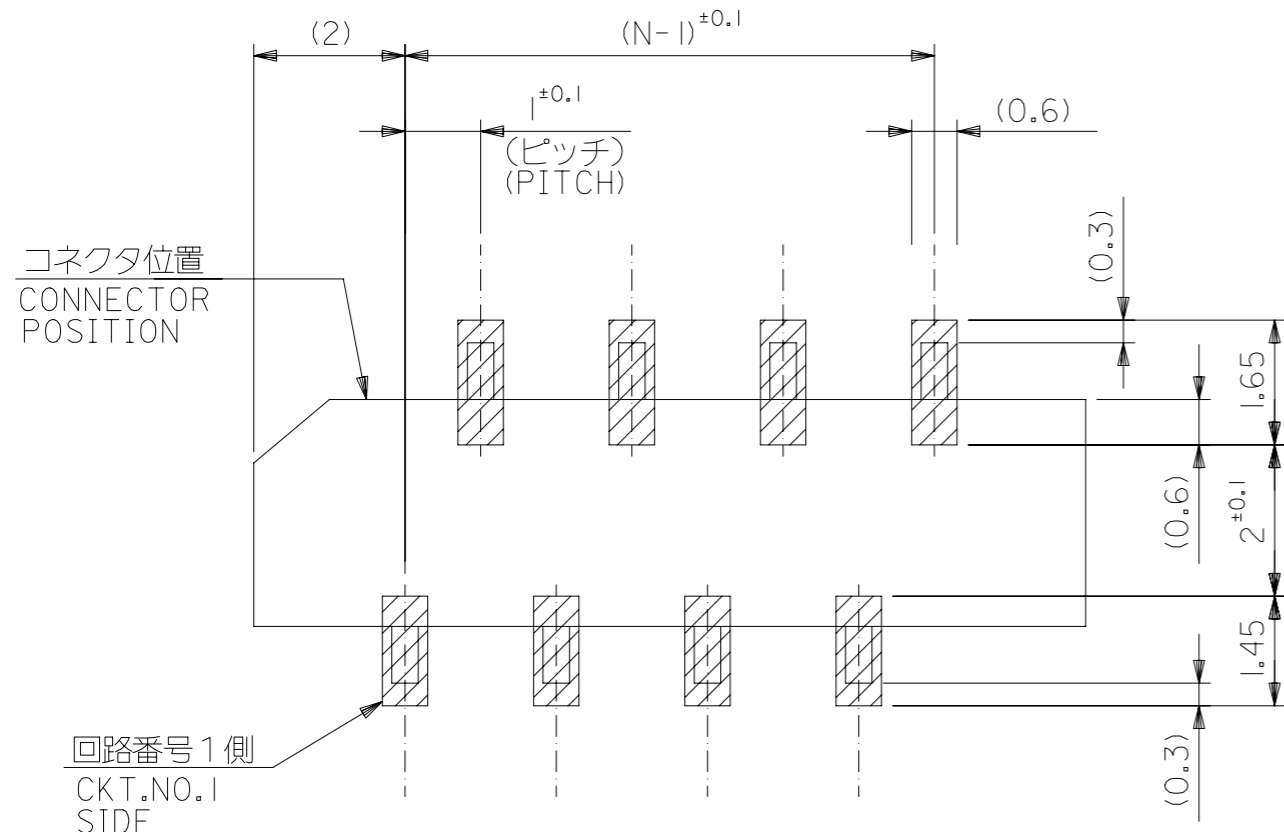
EC NO: 102905 DRWN: MTAKAHASHI04 CHK'D: KTAKAHASHI APPR: TKUSUHARA01	2016/01/29	GENERAL TOLERANCES (UNLESS SPECIFIED)	DIMENSION UNITS	SCALE				
	2016/02/12	ANGULAR TOL ± 0.0°	MM	≠≠				
	2016/02/12	4 PLACES ± 0.0	DRWN BY	DATE				
		3 PLACES ± 0.0	MTAKAHASHI04	2016/01/29				
		2 PLACES ± 0.0	CHK'D BY	DATE				
	1 PLACE ± 0.0	KTAKAHASHI	2016/02/12		1.0 FFC CONN NON ZIF SMT ST PKG			
	0 PLACES ± 0.0	APPR BY	DATE					
		TKUSUHARA01	2016/02/12					
		DRAFT WHERE APPLICABLE MUST REMAIN WITHIN DIMENSIONS	DRAWING SIZE	THIRD ANGLE PROJECTION	PRODUCT CUSTOMER DRAWING			
			A3		SERIES	MATERIAL NUMBER	CUSTOMER	
					52808	SEE CHART	GENERAL	
					DOCUMENT NUMBER	DOC TYPE	DOC PART	SHEET NUMBER
					528080002	PSD	000	6 OF 6



33	31.05	29	52808-3072	30
32	30.05	28	52808-2972	29
31	29.05	27	52808-2872	28
30	28.05	26	52808-2772	27
29	27.05	25	52808-2672	26
28	26.05	24	52808-2572	25
27	25.05	23	52808-2472	24
26	24.05	22	52808-2372	23
25	23.05	21	52808-2272	22
24	22.05	20	52808-2172	21
23	21.05	19	52808-2072	20
22	20.05	18	52808-1972	19
21	19.05	17	52808-1872	18
20	18.05	16	52808-1772	17
19	17.05	15	52808-1672	16
18	16.05	14	52808-1572	15
17	15.05	13	52808-1472	14
16	14.05	12	52808-1372	13
15	13.05	11	52808-1272	12
14	12.05	10	52808-1172	11
13	11.05	9	52808-1072	10
12	10.05	8	52808-0972	9
11	9.05	7	52808-0872	8
10	8.05	6	52808-0772	7
9	7.05	5	52808-0672	6
8	6.05	4	52808-0572	5
7	5.05	3	52808-0472	4
C	B	A	EMBOSSED PACKAGE オーダー番号 ORDER NO.	Ckt

THIS DRAWING CONTAINS INFORMATION THAT IS PROPRIETARY TO MOLEX ELECTRONIC TECHNOLOGIES, LLC AND SHOULD NOT BE USED WITHOUT WRITTEN PERMISSION

EC NO: 102905 DRWN: MTAKAHASHI04 CHK'D: KTAKAHASHI APPR: TKUSUHARA01	2016/01/29	GENERAL TOLERANCES (UNLESS SPECIFIED)	DIMENSION UNITS	SCALE		
	2016/02/12	ANGULAR TOL ± 1.0 °	MM	10:1		
	2016/02/12	4 PLACES ± 0.05	DRWN BY	DATE		
		3 PLACES ± 0.1	MTAKAHASHI04	2016/01/29		
		2 PLACES ± 0.2	CHK'D BY	DATE		
	1 PLACE ± 0.2	KTAKAHASHI	2016/02/12		1.0 FFC CONN NON ZIF SMT ST ASSY	
	0 PLACES ± 0.2	APPR BY	DATE			PRODUCT CUSTOMER DRAWING
		TKUSUHARA01	2016/02/12			
		DRAFT WHERE APPLICABLE MUST REMAIN WITHIN DIMENSIONS	DRAWING SIZE	THIRD ANGLE PROJECTION	SERIES: 52808 MATERIAL NUMBER: SEE CHART CUSTOMER: GENERAL	
			A3		DOCUMENT NUMBER: 528081002 DOC TYPE: PSD DOC PART: 000 SHEET NUMBER: 1 OF 3	



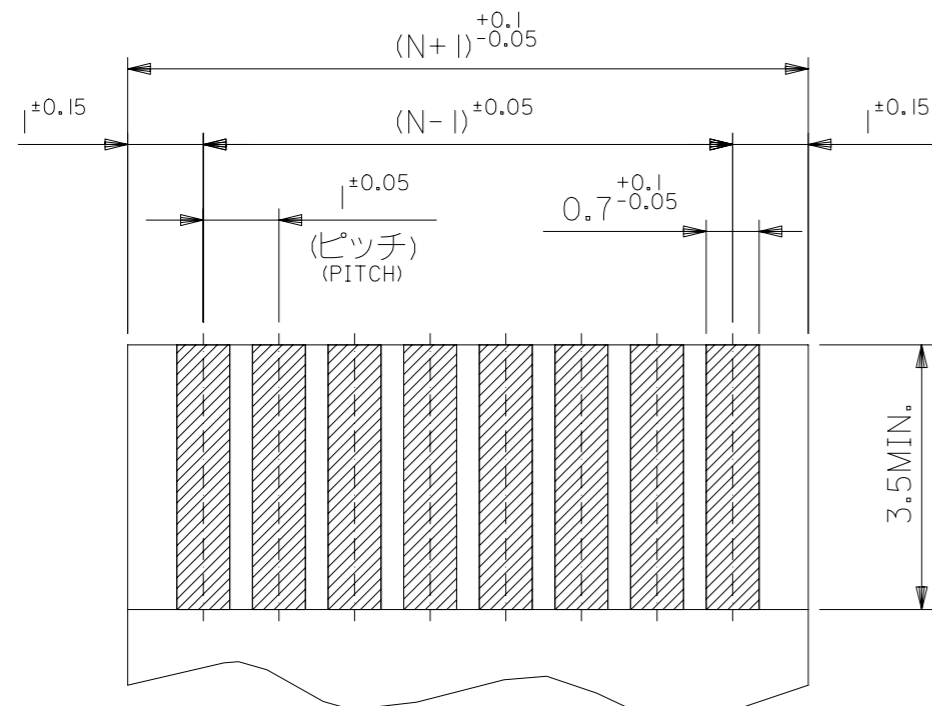
推奨基板レイアウト
 RECOMMENDED P.C.BOARD PATTERN DIMENSION
 (マウント面)
 (MOUNTING SIDE)

参考メタルマスク厚 : 120μm
 参考メタルマスク開口率 : 100%
 REFERENCE SCREEN THICKNESS : 120μm
 REFERENCE SCREEN OPEN RATIO : 100%

注記 NOTES

1. 使用材料 MATERIAL
 ハウジング : ポリフェニレンサルファイド(PPS) ナチュラル(白色) ガラス充填 UL94V-0
 HOUSING POLY PHENYLENE SULFIDE NATURAL(WHITE) GLASS FILLED UL94V-0
 ターミナル : リン青銅(t=0.25)
 TERMINAL PHOSPHOR BRONZE (t=0.25)
 2. めっき仕様 PLATING
 ターミナル TERMINAL
 接点部 : 金メッキ(0.1μm以上)
 半田付部 : 錫メッキ(1.0μm以上)
 下地 : ニッケルメッキ(1.0μm以上)
 CONTACT PORTION : GOLD PLATING (0.1μm MIN)
 SOLDERING PORTION : TIN PLATING (1.0μm MIN)
 UNDER PLATING : NICKEL PLATING (1.0μm MIN)
- △3 基準面 E からの溶剤テールの半田付け面のズレ量は、
 上方向に0.1MAX、下方向に0.15MAXとする。
 MISALIGNMENT OF SOLDER TAIL FROM E
 UPPER DIRECTION 0.1 MAX , LOWER DIRECTION 0.15 MAX.
- △4 偶数極に適用。
 APPLY FOR EVEN CKT.
5. 本製品は 52808シリーズの金メッキ品です。
 THIS PRODUCT IS Au PLATING OF 52808 SERIES.
 6. ELV 及び RoHS適合品。
 ELV AND RoHS COMPLIANT.

THIS DRAWING CONTAINS INFORMATION THAT IS PROPRIETARY TO MOLEX ELECTRONIC TECHNOLOGIES, LLC AND SHOULD NOT BE USED WITHOUT WRITTEN PERMISSION									
RELEASED	2016/01/29	GENERAL TOLERANCES (UNLESS SPECIFIED)		DIMENSION UNITS	SCALE				
	2016/02/12	ANGULAR TOL ± 1.0 °		MM	1:1				
	2016/02/12	4 PLACES ± 0.05	DRWN BY	DATE		1.0 FFC CONN NON ZIF SMT ST ASSY			
	MTAKAHASHI04	3 PLACES ± 0.1	MTAKAHASHI04	2016/01/29					
	CHK'D: KTAKAHASHI	2 PLACES ± 0.2	KTAKAHASHI	2016/02/12					
APPR: TKUSUHARA01	1 PLACE ± 0.2	APPR BY	DATE		PRODUCT CUSTOMER DRAWING				
EC NO: 102905	0 PLACES ± 0.2	TKUSUHARA01	2016/02/12		SERIES	MATERIAL NUMBER	CUSTOMER		
DRWN: MTAKAHASHI04	DRAFT WHERE APPLICABLE MUST REMAIN WITHIN DIMENSIONS		DRAWING SIZE	THIRD ANGLE PROJECTION	52808	SEE CHART	GENERAL		
CHK'D: KTAKAHASHI	A3	A		REV	DOCUMENT NUMBER		DOC TYPE	DOC PART	SHEET NUMBER
APPR: TKUSUHARA01	3	10:27:41		1	528081002		PSD	000	2 OF 3



(仕上り厚さ : 0.3 ± 0.03)
 (THICKNESS : 0.3 ± 0.03)
 適合金メッキFPC/FFC推奨寸法
 APPLICABLE GOLD FPC/FFC
 RECOMMENDED DIMENSION

FPC/FFCについて

打ち抜き方向は導体側から補強板側を推奨致します。
 導体部については軟箔銅35μmまたは50μmを推奨致します。
 接着剤の接点部への付着は導通不良の原因になりますので、染み出しが無い様お願い致します。
 FPC/FFCに規定された定格温度がFPC/FFC単体前提である場合が御座います。
 コネクタと組み合わせての実使用において、接着層が劣化する等の信頼性を満足できないケースを回避する為、
 実機での評価/確認をお願い致します。

ABOUT FPC/FFC

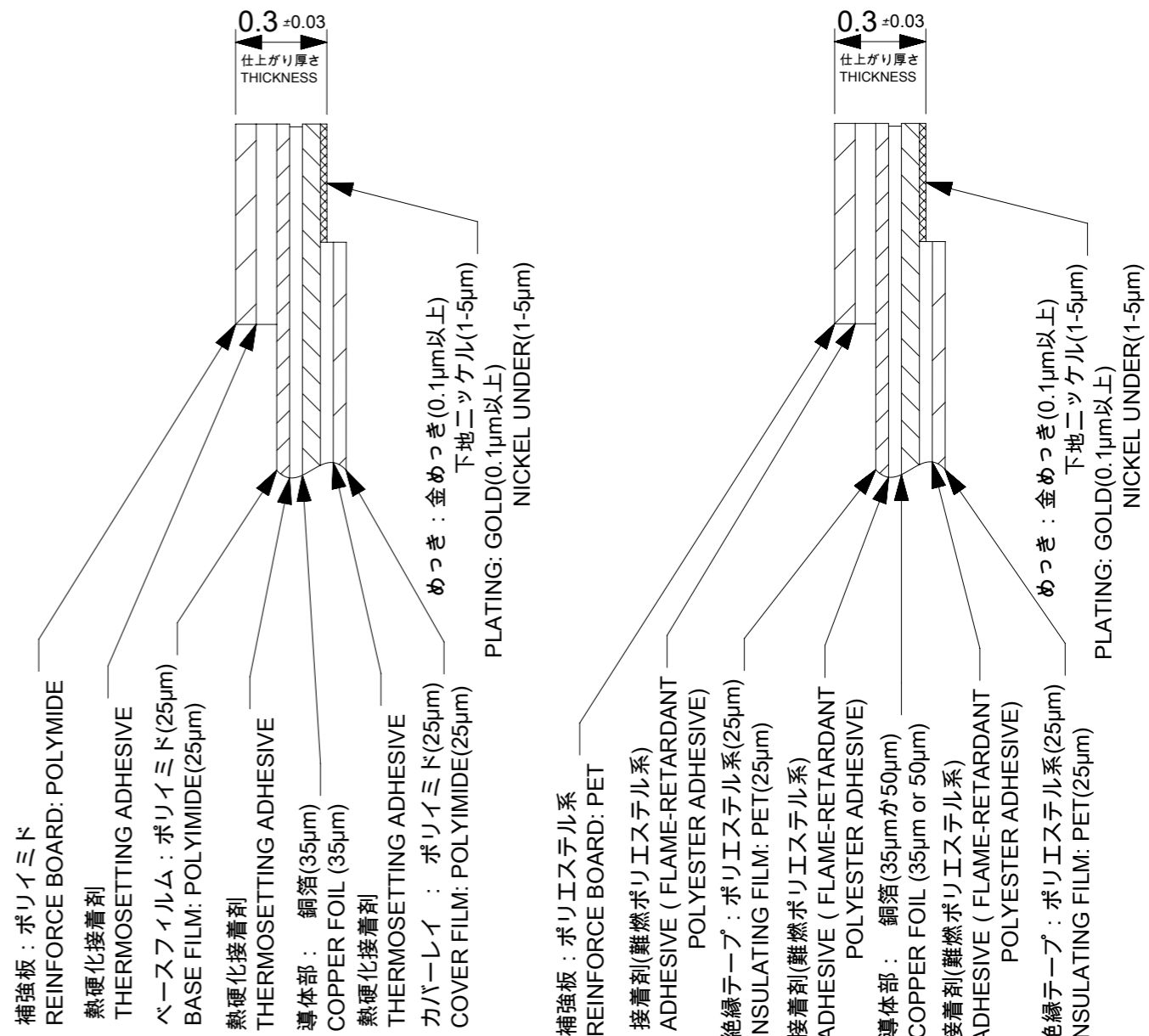
RECOMMENDED PUNCHING DIRECTION: FROM CONDUCTOR SIDE TO STIFFENER SIDE
 RECOMMENDED CONDUCTOR SPEC: SOFT COPPER FOIL
 RECOMMENDED CONDUCTOR THICKNESS: 35 MICROMETER OR 50 MICROMETER
 PLEASE PUT APPROPRIATE AMOUNT OF ADHESIVE ON ADHEREND BECAUSE THERE IS
 A POSSIBILITY THAT EXTRA ADHESIVE CAUSES THE DEFECT IN ELECTRICAL CONTINUITY
 THE HEAT RESISTANCE OF FFC IS ONLY FFC SPEC
 TO PREVENT THE CASE THAT RELIABILITY CANNOT BE SATISFIED (THE ADHESIVE IS
 DETERIORATED etc.) PLEASE DO THE EVALUATION AND THE CONFIRMATION WITH
 ACTUAL CONNECTER

FPCについて

補強フィルム材質はポリイミドを推奨します。ベースフィルムは25μmを推奨します。
 接着剤は熱硬化接着剤を推奨します。

ABOUT FPC

RECOMMENDED STIFFENER MATERIAL: POLYIMIDE
 RECOMMENDED BASE FILM THICKNESS: 25 MICROMETER
 RECOMMENDED ADHESIVE: THERMOSETTING ADHESIVE



THIS DRAWING CONTAINS INFORMATION THAT IS PROPRIETARY TO MOLEX ELECTRONIC TECHNOLOGIES, LLC AND SHOULD NOT BE USED WITHOUT WRITTEN PERMISSION

EC NO: 102905 DRWN: MTAKAHASHI04 CHK'D: KTAKAHASHI APPR: TKUSUHARA01	2016/01/29 2016/02/12 2016/02/12	GENERAL TOLERANCES (UNLESS SPECIFIED) ANGULAR TOL ± 1.0 °	DIMENSION UNITS: MM SCALE: 1:1	
	4 PLACES ± 0.05 3 PLACES ± 0.1 2 PLACES ± 0.2 1 PLACE ± 0.2 0 PLACES ± 0.2	DRWN BY: MTAKAHASHI04 DATE: 2016/01/29 CHK'D BY: KTAKAHASHI DATE: 2016/02/12 APPR BY: TKUSUHARA01 DATE: 2016/02/12	PRODUCT CUSTOMER DRAWING	
	DRAFT WHERE APPLICABLE MUST REMAIN WITHIN DIMENSIONS	DRAWING SIZE: A3 THIRD ANGLE PROJECTION	SERIES: 52808 MATERIAL NUMBER: SEE CHART CUSTOMER: GENERAL	
	A	REV	DOCUMENT NUMBER: 528081002 DOC TYPE: PSD DOC PART: 000 SHEET NUMBER: 3 OF 3	
	RELEASE STATUS: P1 RELEASE DATE: 12.02.2016 10:27:41	9 8 7 6 5 4 3 2 1	1.0 FFC CONN NON ZIF SMT ST ASSY	