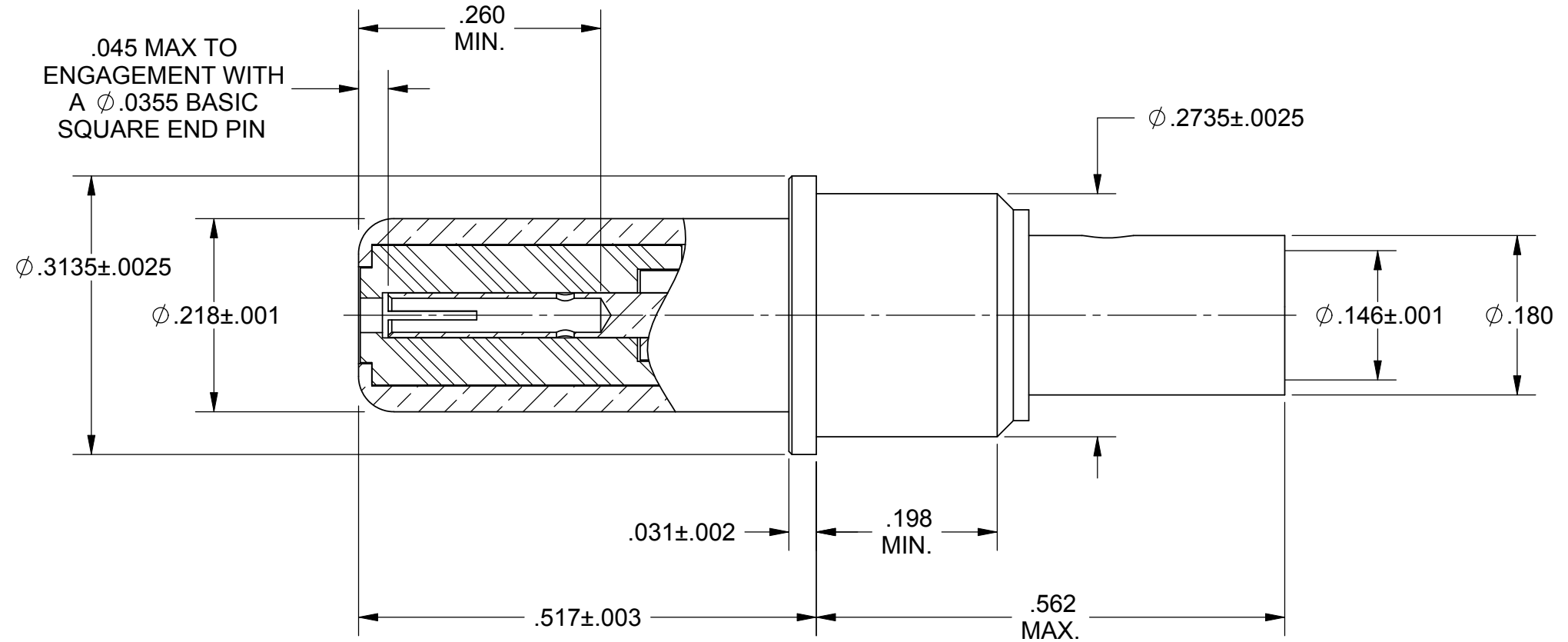


# PRODUCT DATA DRAWING

| REVISION HISTORY |                |          |          |
|------------------|----------------|----------|----------|
| REV              | DESCRIPTION    | DATE     | APPROVED |
| B                | REV. DCN 32852 | 03/05    | VMJ      |
| C                | REV.DCN 37675  | 07/26/10 | STW      |



**MATERIALS:**

INSULATORS: PTFE PER ASTM D1710, TYPE 1, GRADE 1, CLASS B.

BODIES: BRASS PER ASTM B16, ALLOY UNS C36000, H02.

CONTACT: BERYLLIUM COPPER PER ASTM B196, ALLOY C17300, COND. TD04

SHRINK TUBING: POLYOLEFIN PER SAE AMS-DTL-23053/5-106-0

**FINISHES:**

BODIES & CONTACT: GOLD PER ASTM B488, TYPE II, GRADE C, CLASS 1.27 OVER NICKEL PER AMS-QQ-N-290 CLASS 1, .00005" MIN.

**ELECTRICAL:**

IMPEDANCE: 50 OHMS  
 FREQ. RANGE: DC TO 3 GHz. (FREQUENCY IS LIMITED BY CABLE).  
 INSUL. RES.: 5,000 MEGOHMS MIN.  
 D.W.V: 1,000 VRMS MIN.  
 VSWR: 1.20 + .04 X F IN GHz  
 INSERTION LOSS: .11 X SQUARE ROOT OF F(GHz)

**REF. AS39029/60 & MIL-DTL-38999 SERIES III**

**SV Microwave, Inc.**

2400 Centrepark West Drive, Suite 100  
 West Palm Beach, FL 33409

TITLE: **SIZE 8 PIN FOR TFLEX-402 CABLE**

SIZE **B** CAGE CODE **95077** DWG. NO. **8001-4101**

SCALE: 6:1 SHEET 1 OF 1

|  |           |
|--|-----------|
| MATERIAL:  | SEE ABOVE |
| FINISH:  | SEE ABOVE |
| <b>PROPRIETARY</b>   |           |
| THE INFORMATION CONTAINED IN THIS DRAWING IS THE SOLE PROPERTY OF SV MICROWAVE, INC. ANY REPRODUCTION IN PART OR AS A WHOLE WITHOUT THE WRITTEN PERMISSION OF SV MICROWAVE, INC IS PROHIBITED. |           |

|  |                                     |
|--|-------------------------------------|
| DIMENSIONS ARE IN INCHES TOLERANCES:                       |                                     |
| FRACTIONAL:  | ±1/64 ANGULAR: X° ±1'0" X*X' ±15'   |
| DECIMAL:   | .X ±.030<br>.XX ±.010<br>.XXX ±.005 |
| INTERPRET DIMENSIONS AND TOLERANCES PER ASME Y14.5M - 1994 |                                     |
| <b>THIRD ANGLE PROJECTION</b>                              |                                     |
|  |                                     |

|  |              |
|--|--------------|
| UNLESS OTHERWISE SPECIFIED   |              |
| 1) ALL DIMENSIONS ARE AFTER PLATING.<br>2) BREAK CORNERS & EDGES .005 R. MAX.<br>3) CHAM. 1ST & LAST THREADS.<br>4) SURFACE ROUGHNESS 63 √ MIL-STD-10.<br>5) DIA.'S ON COMMON CENTERS TO BE CONCENTRIC WITHIN .005 T.I.R.<br>6) REMOVE ALL BURRS |              |
| DRAWN:   | VMJ 11/19/04 |
| CHECKED:   | JMC 11/22/04 |
| APPROVED:  | JMC 11/22/04 |
| E.M. SIMULATION:   | N/A          |