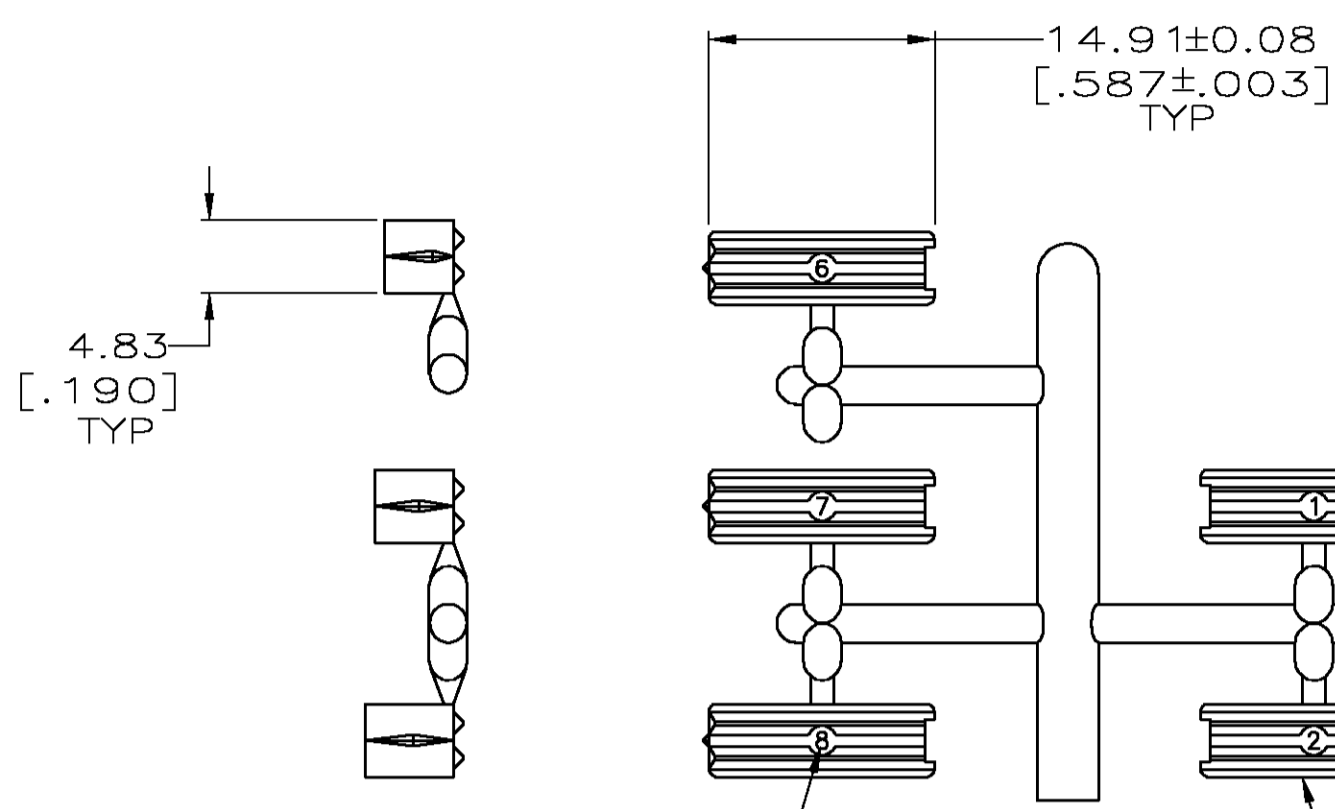
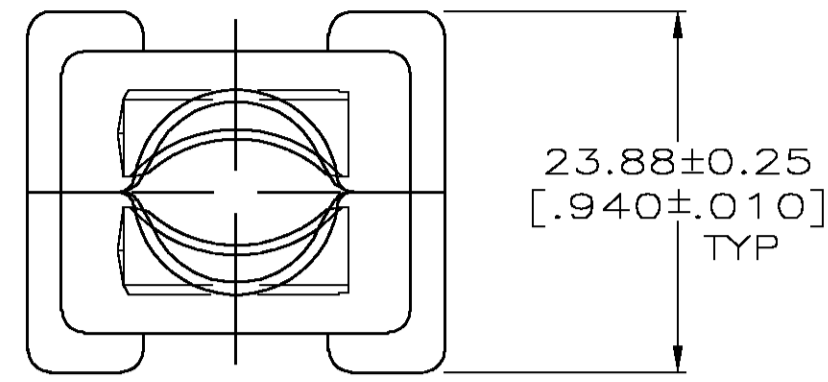
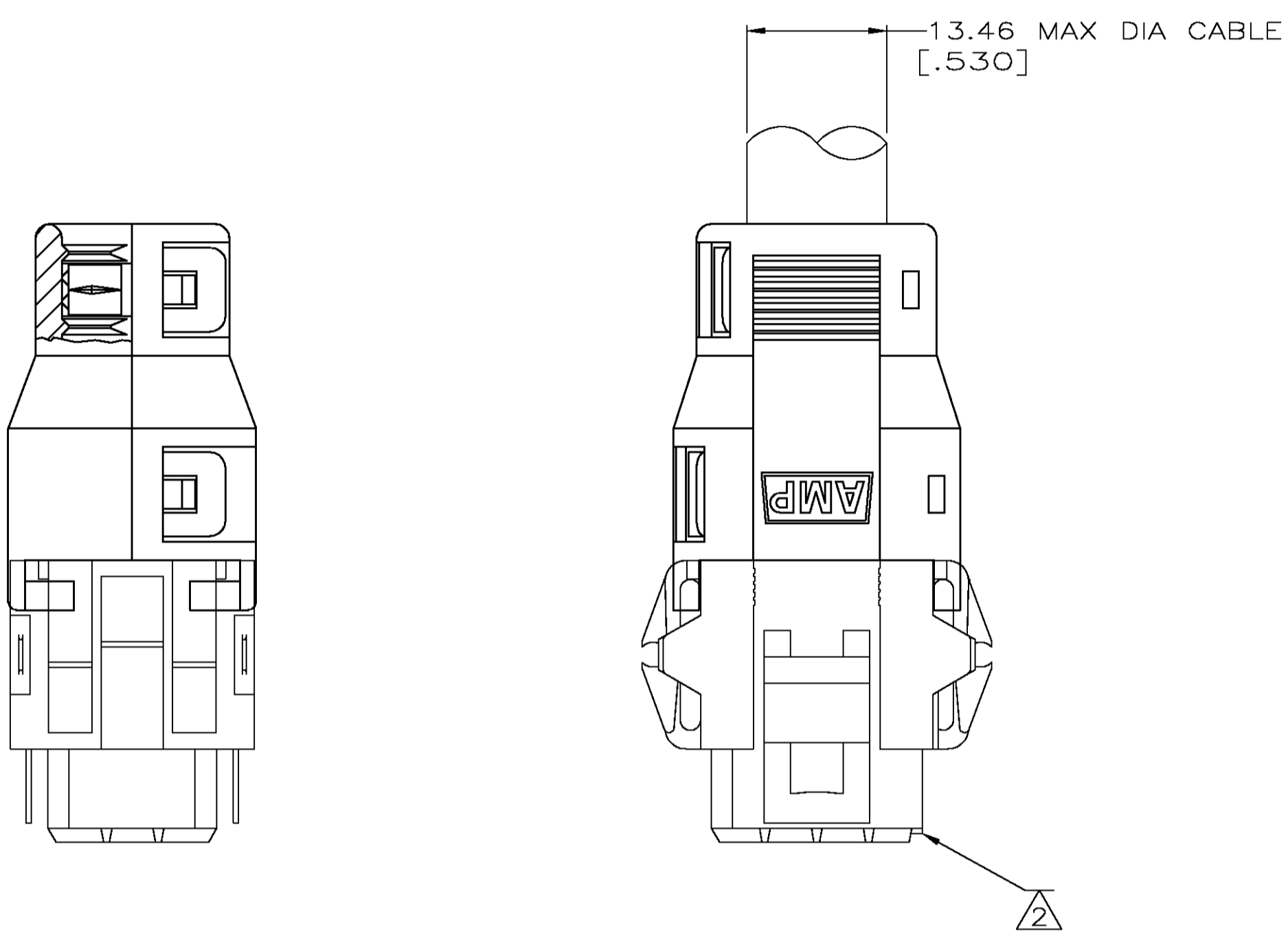
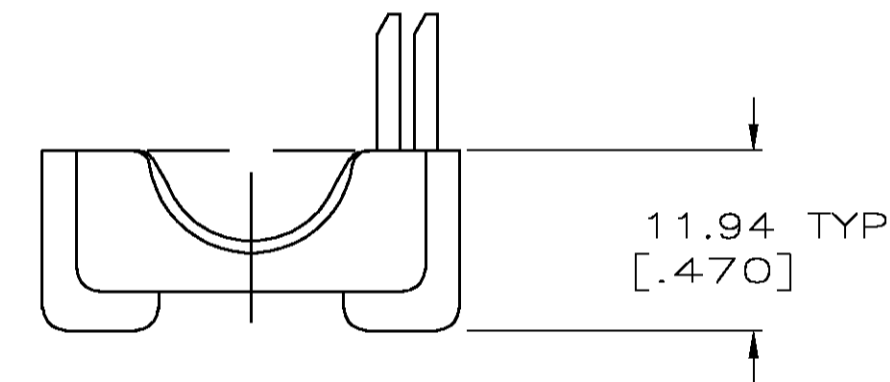


LOC		DIST		REVISIONS			
F	LTR	DESCRIPTION	DATE	DNW	APVD		
D		REVISED PER 063B-1122-04	12/2/04	SS	GS		

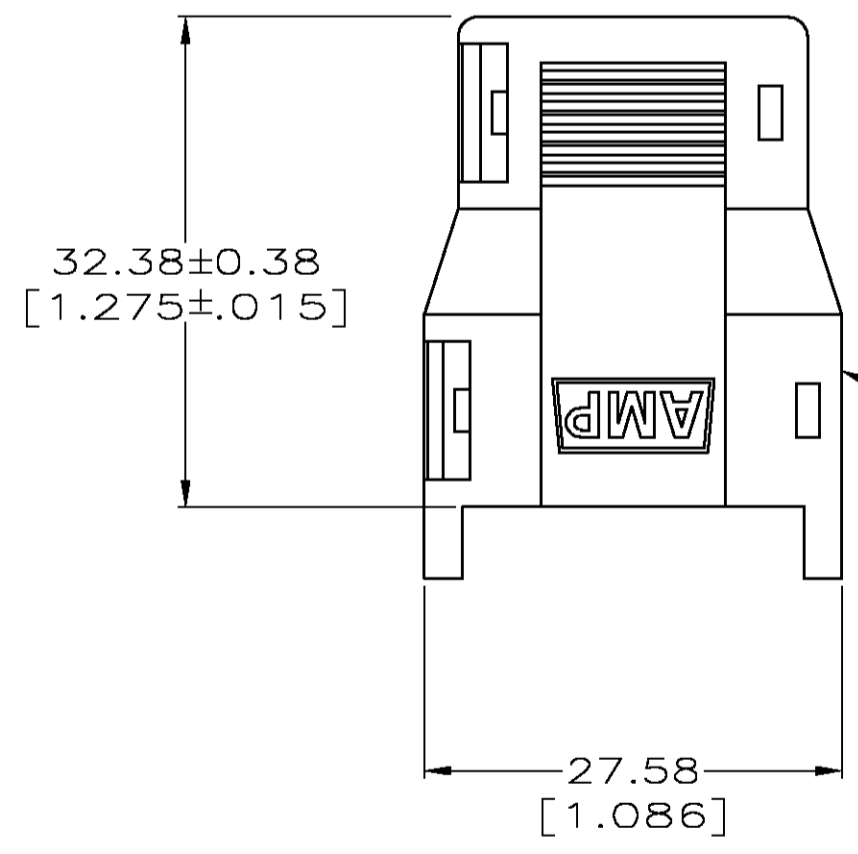
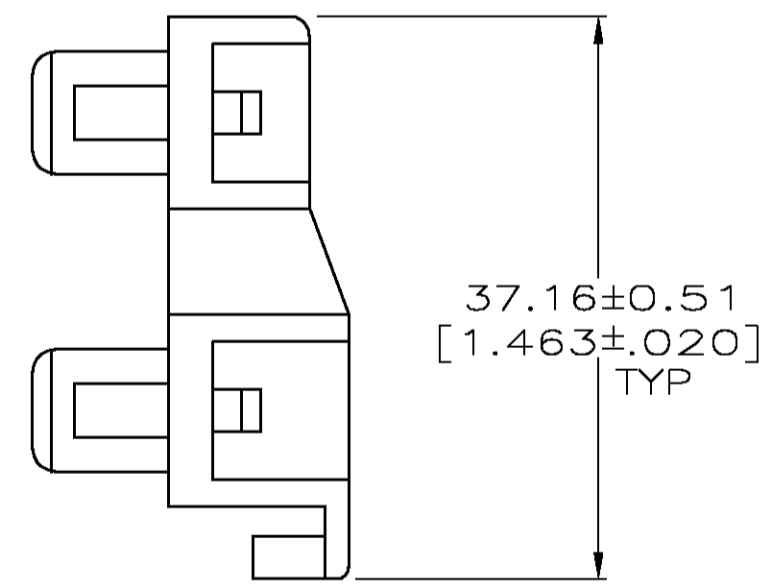


CABLE GATE NO
8 PLC

CABLE GATE, SUPPLIED ON CLUSTER AS SHOWN,



ASSEMBLED VIEW



HOUSING, STRAIN RELIEF
2 EA

- ▲ A VARIETY OF CABLE GATES ARE PROVIDED TO ACCOMMODATE A VARIETY OF CUSTOMER CABLE SIZES.
- ▲ PLUG SHOWN FOR REFERENCE ONLY, STRAIN RELIEF CAN BE USED ON EITHER PLUG OR RECEPTACLE.

207602-1
PART NUMBER

THIS DRAWING IS A CONTROLLED DOCUMENT.		DNW J. McCLINTON 1-27-92	Tyco Electronics Corporation Harrisburg, Pa 17105-3608	
DIMENSIONS: INCHES		CHK R. STONE 1-29-92	NAME	
TOLERANCES UNLESS OTHERWISE SPECIFIED:		APVD	PRODUCT SPEC	
0 PLC	± .005		108-10033	
1 PLC	± .005		APPLICATION SPEC	
2 PLC	± .005		SIZE	
3 PLC	± .005		CAGE CODE	
4 PLC	± .005		DRAWING NO	
ANGLES	± .005		RESTRICTED TO	
FINISH		WEIGHT	A1 00779 C=207602	
MATERIAL NYLON, NATURAL RED		CUSTOMER DRAWING		SCALE 2:1 SHEET 1 OF 1 REV D