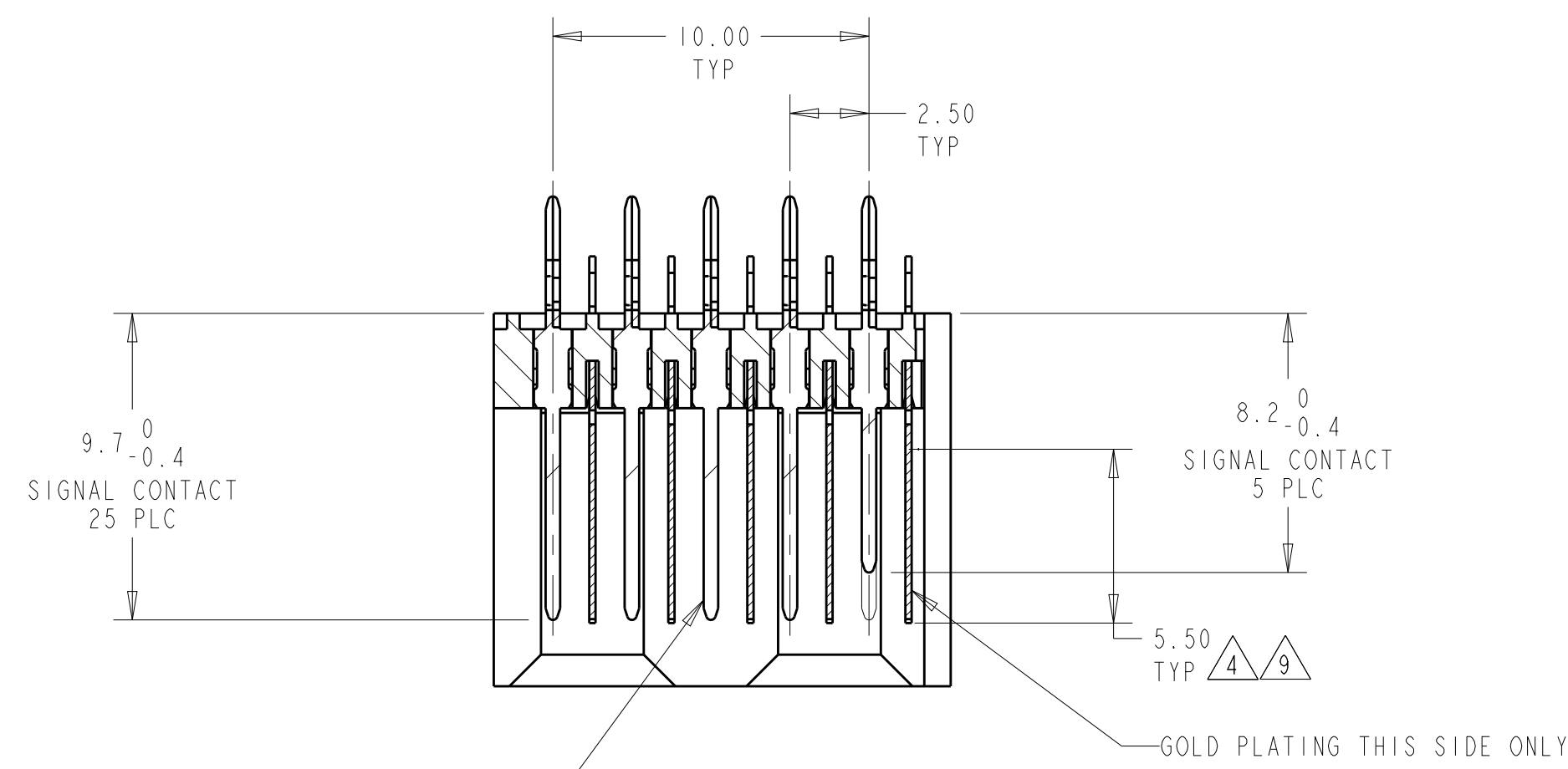
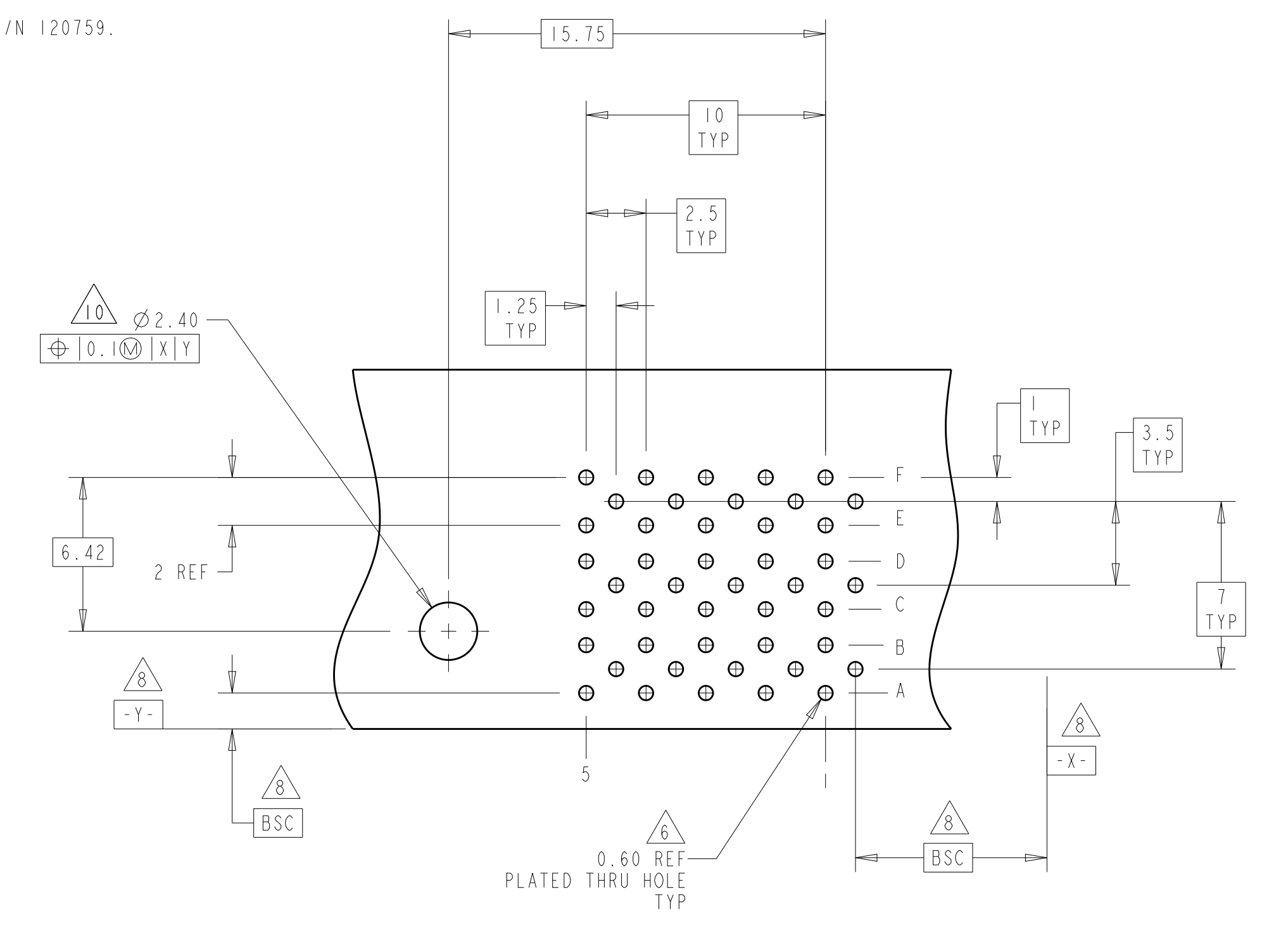
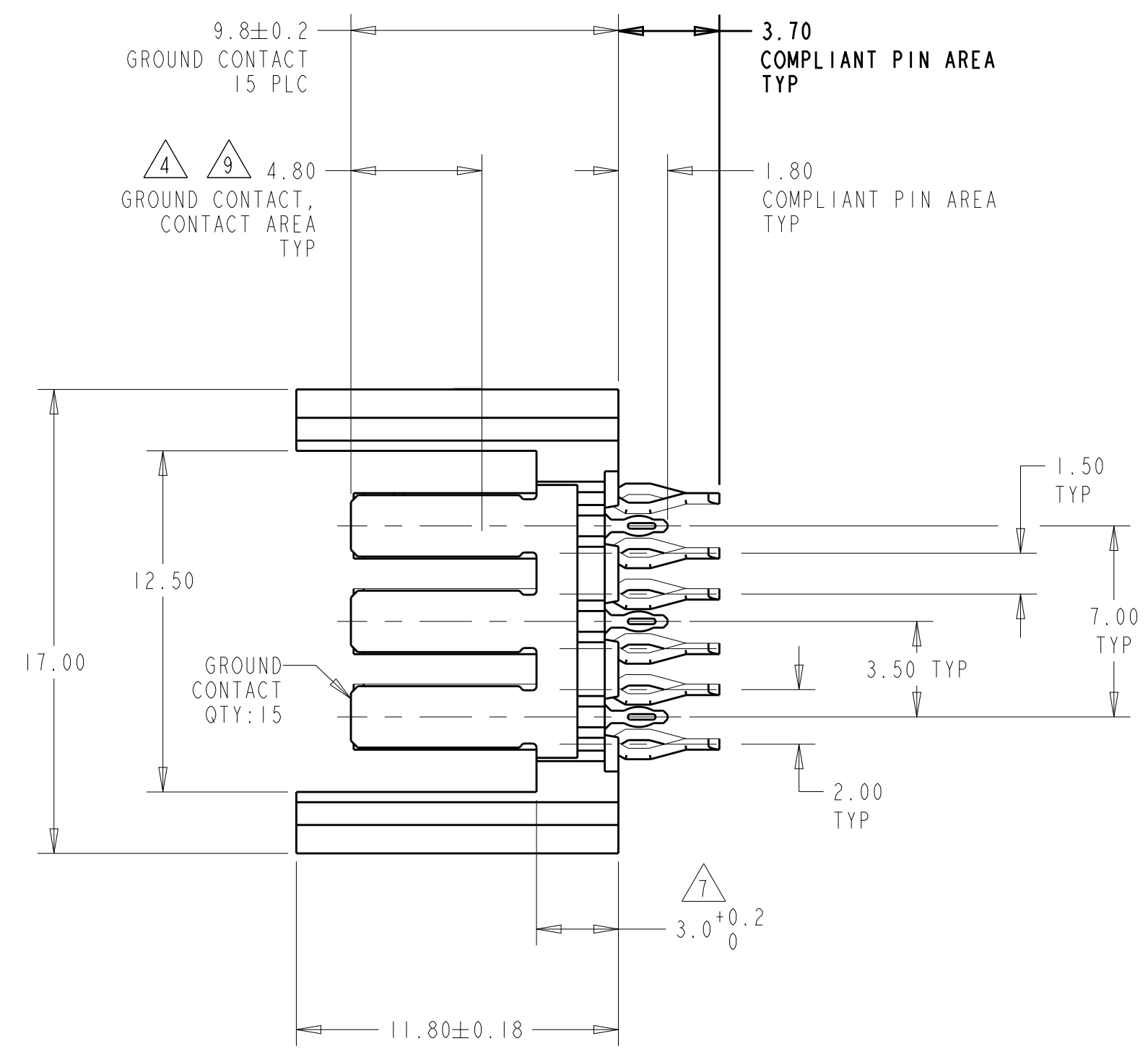
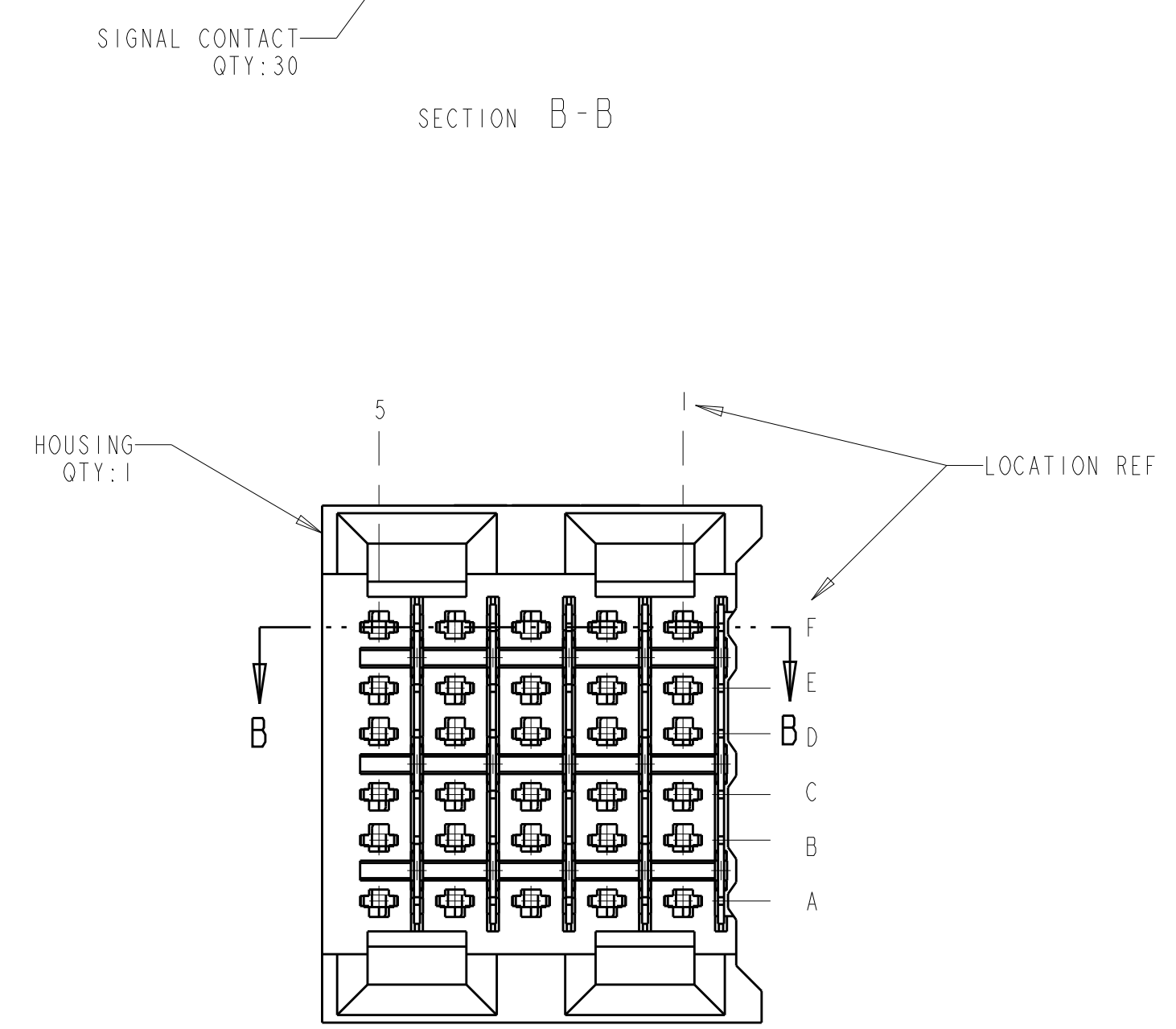


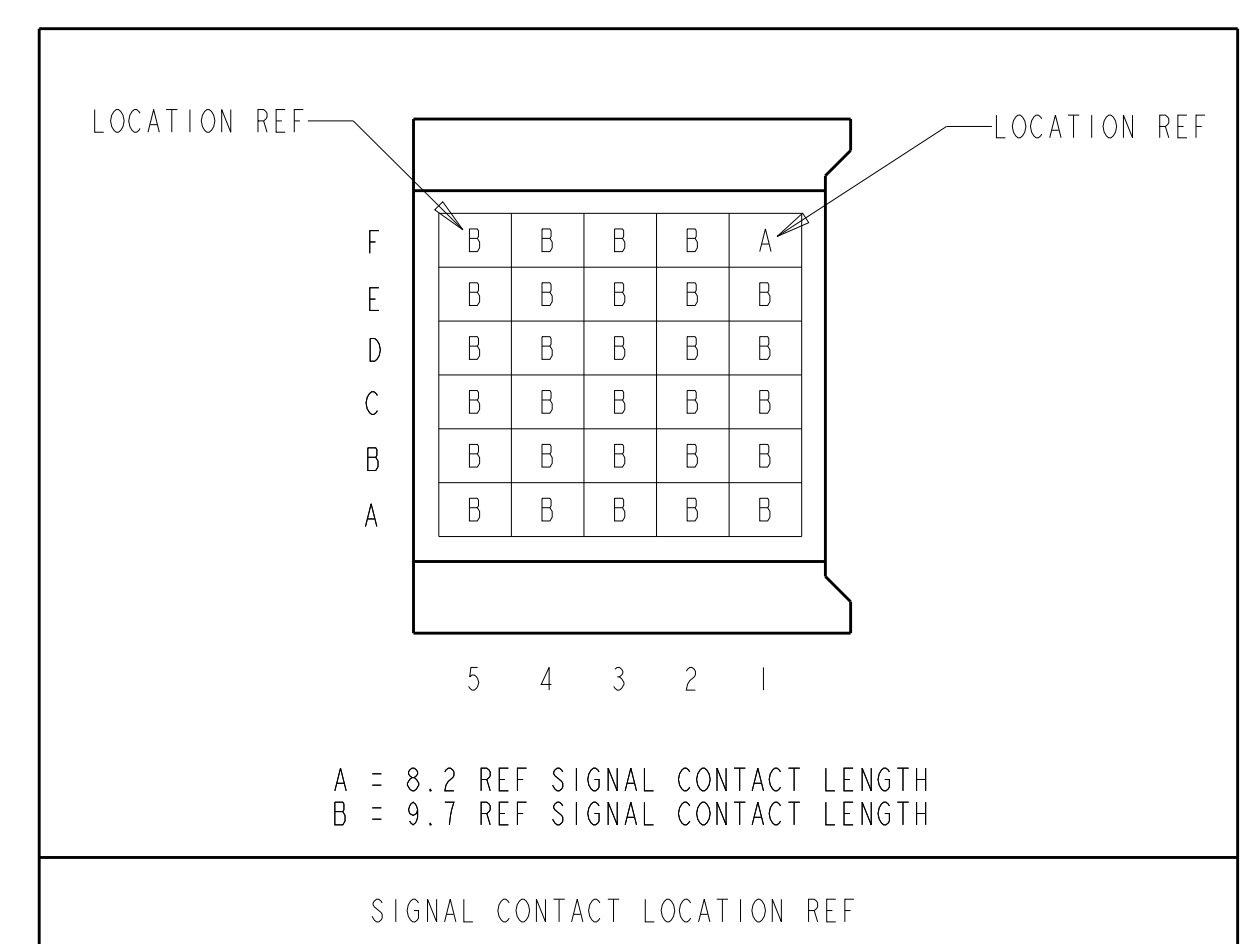
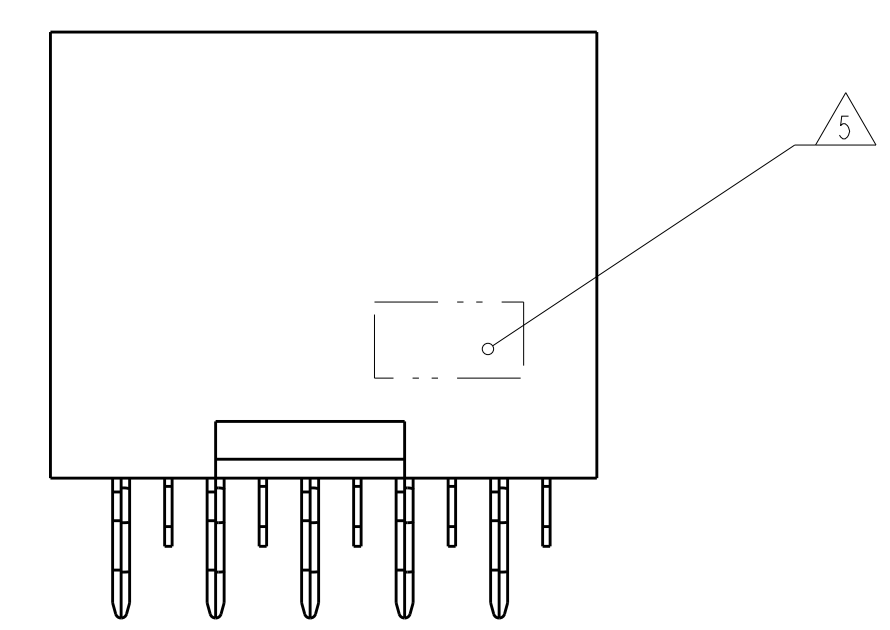
LOC	DIST	REVISIONS					
		P	LTN	DESCRIPTION	DATE	DWN	APVD
AD	00	C		REVISED PER ECO-12-006972	21AUG2012	KH	JE



- 2 PHOSPHOR BRONZE
- 3 LCP, UL94V-0
- 4 FINISH:
CONTACT MATING AREA MEETS THE PERFORMANCE REQUIREMENTS OF TE CONNECTIVITY PRODUCT SPECIFICATION 108-1957; BASED ON TELCORDIA GR-1217-CORE, APPLICATIONS IN UNCONTROLLED ENVIRONMENTS. COMPLIANT PIN AREA: 0.5µm MIN BRIGHT TIN-LEAD OVER BASE PLATING.
- 5 CONNECTOR MARKED WITH PART NUMBER AND DATE CODE.
- 6 REFERENCE APPLICATION SPEC 114-13020 FOR RECOMMENDED PLATED THRU HOLE DIAMETER AND PLATING THICKNESS.
- 7 APPLICATION SEATING HEIGHT TO PRINTED CIRCUIT BOARD.
- 8 DATUMS AND BASIC DIMENSIONS ESTABLISHED BY CUSTOMER.
- 9 CONTACT AREA LUBRICATED WITH BELLCORE APPROVED LUBRICANT. TECHNICAL REFERENCE: GR-1217-CORE, ISSUE 1, NOVEMBER 1995.
- 10 HOLE DIAMETER SHOULD BE 3.10 WHEN USING FEED THROUGH GUIDE PIN P/N 120759. CLEARANCE FOR M3x0.5 THREAD.



RECOMMENDED
PRINTED CIRCUIT BOARD
LAYOUT
COMPONENT SIDE OF PRINTED CIRCUIT BOARD



ROWS A,B,C,D,E		ROW F: 1	120993-1
SIGNAL CONTACT TYPE B QTY: 29 9.7 LENGTH REF		SIGNAL CONTACT TYPE A QTY: 1 8.2 LENGTH REF	PART NUMBER

THIS DRAWING IS A CONTROLLED DOCUMENT.		DWN B. CARBO 26 JUL 2006	TE Connectivity	
DIMENSIONS: mm		CHK R. PATTERSON 26 JUL 2006	NAME	
TOLERANCES UNLESS OTHERWISE SPECIFIED:		APVD R. PATTERSON 26 JUL 2006	PRODUCT SPEC	
0 PLC ±		APPLICATION SPEC		
1 PLC ±0.13		SIZE CAGE CODE DRAWING NO RESTRICTED TO		
2 PLC ±0.05		A1 00779 C=120993		
3 PLC ±		SCALE 5:1 SHEET 1 OF 1 REV C		
4 PLC ±		CUSTOMER DRAWING		
ANGLES				
FINISH				
CONTACTS: 2				
SIGNAL CONTACT: 4				