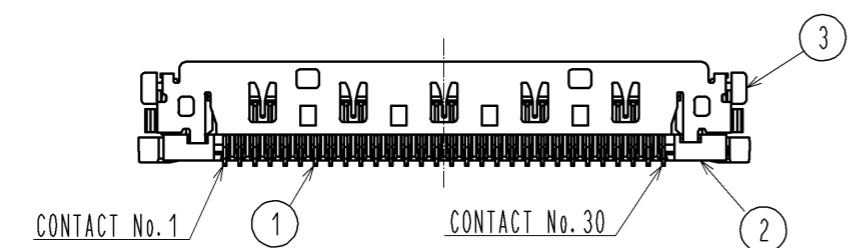
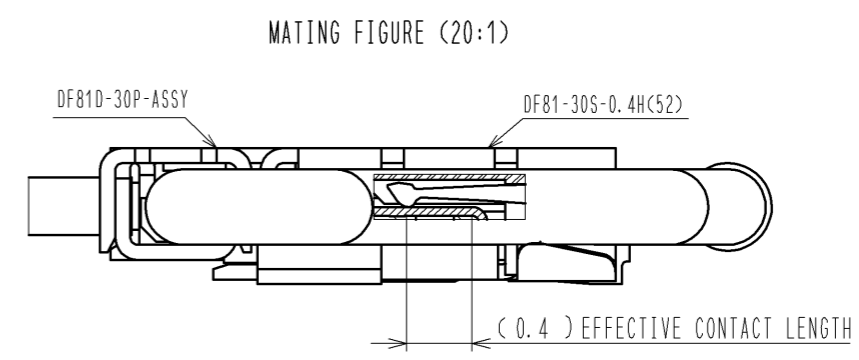
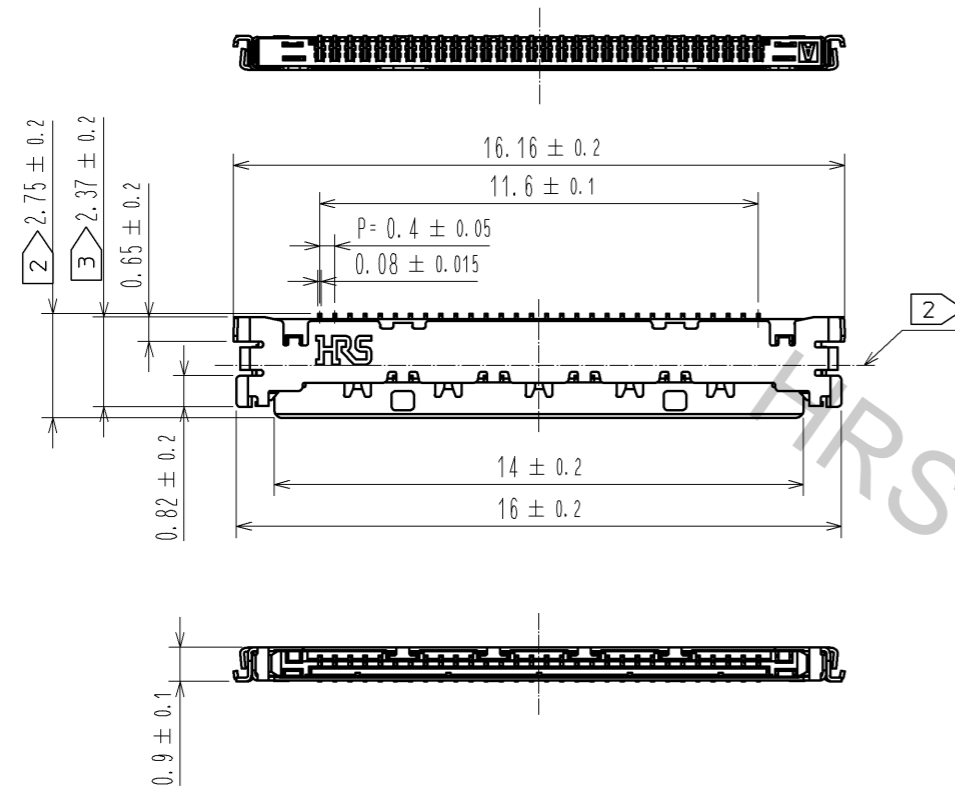
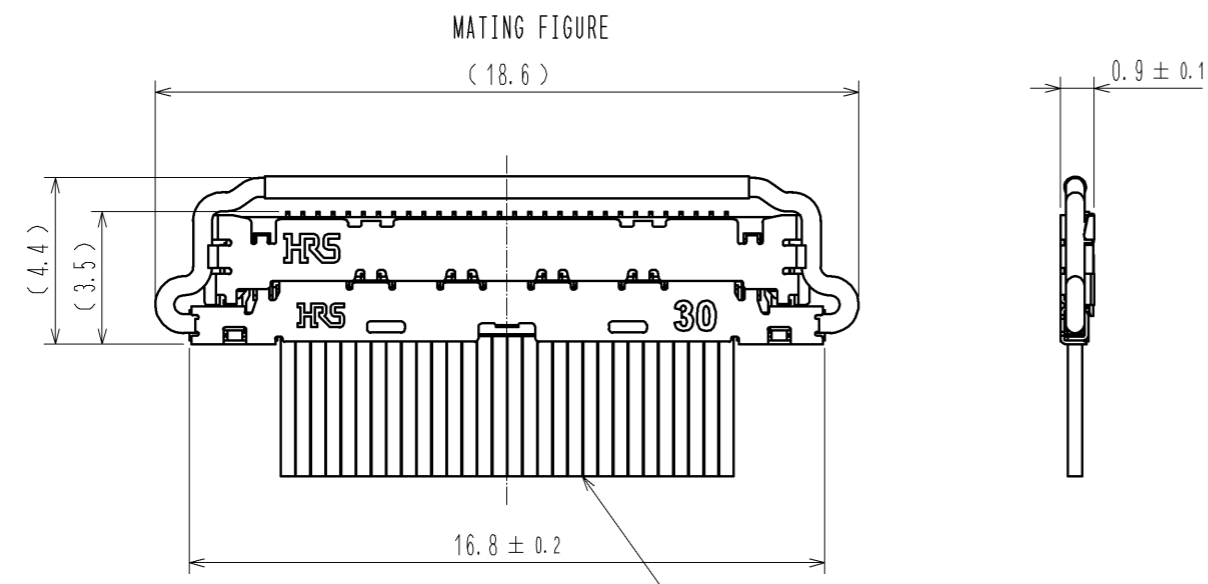


1 2 3 4 5 6 7 8

A
B
C
D
E
F

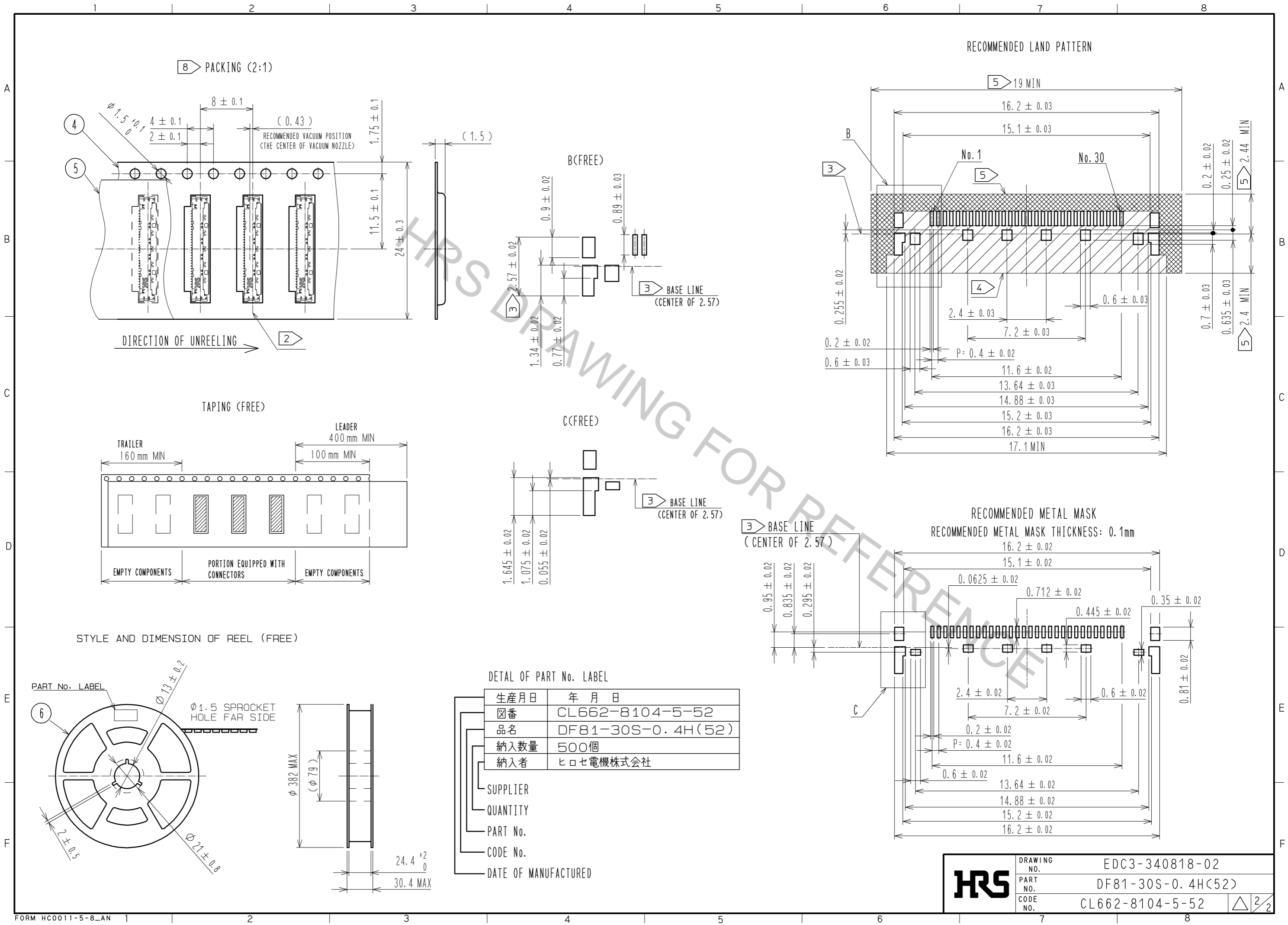


- NOTES
1. LEAD CO-PLANARITY SHALL BE 0.1mmMAX.
 2. DIRECTED CENTER LINE INDICATES THE CENTER OF 2.75±0.2 WHICH IS CONNECTOR DIMENSION. IT CORRESPONDS WITH THE CENTER LINE OF ENBOSSED POCKET.
 3. DIRECTED CENTER LINE INDICATES THE CENTER OF 2.57±0.02 WHICH IS RECOMMENDED LAND PATTERN DIMENSION. IT IS THE BASE LINE OF RECOMMENDED LAND PATTERN DIMENSION AND RECOMMENDED METAL MASK DIMENSION. IT CORRESPONDS WITH THE CENTER OF 2.37±0.2 WHICH IS CONNECTOR DIMENSION.
 4. CONDUCTIVE CIRCUIT ON THIS SURFACE REQUIRES THE COVERAGE WITH RESIST.
 5. IT INDICATES PROHIBITION AREA OF MOUNTING. IF PARTS WERE MOUNTED ON THIS AREA, THE LOCK OF CONNECTOR BECOMES DISABLED BECAUSE MOUNTED PARTS INTERFERE WITH THE LATCH OF PLUG.
 6. PER REEL : 500 COMPONENTS.
 7. THE DIMENSIONS IN PARENTHESES ARE FOR REFERENCE.
 8. REFER TO JIS 0806. (PACKING OF COMPONENTS FOR AUTO HANDRING)



MICRO COAXIAL CABLE AWG#36~AWG#46
DISCRETE CABLE AWG#34~AWG#40

| 2 | LCP | UL94V-0, BLACK | 6 | PS | BLACK | | |
|--------------------------------------|-----------------|---|----------|----------------------------|--|---------|------|
| 1 | PHOSPHOR BRONZE | CONTACT AREA : Au PLATING 0.1μm MIN. LEAD AREA : Au PLATING 0.05μm MIN. UNDER PLATING : Ni PLATING 1μm MIN. | 5 | POLYESTER | CLEAR | | |
| | | | 4 | PS | CLEAR | | |
| | | | 3 | SUS | CONTACT AREA : Au PLATING 0.05μm MIN. LEAD AREA : Au PLATING 0.05μm MIN. UNDER PLATING : Ni PLATING 0.2μm MIN. | | |
| NO. | MATERIAL | FINISH . REMARKS | NO. | MATERIAL | FINISH . REMARKS | | |
| UNITS | ⊕ | SCALE | COUNT | DESCRIPTION OF REVISIONS | DESIGNED | CHECKED | DATE |
| mm | | 5 : 1 | △ | | | | |
| HRS HIROSE ELECTRIC CO., LTD. | | APPROVED : MH. YAMANE | 13.11.26 | DRAWING NO. EDC3-340818-02 | | | |
| | | CHECED : MH. TSUCHIDA | 13.11.25 | PART NO. DF81-30S-0.4H(52) | | | |
| | | DESIGNED : AH. MIYAZAKI | 13.11.12 | CODE NO. CL662-8104-5-52 | | | |
| | | DRAWN : AH. MIYAZAKI | 13.11.12 | | | △ 1/2 | |



| | | |
|------------|-------------|-------------------|
| HRS | DRAWING NO. | EDC3-340818-02 |
| | PART NO. | DF81-30S-0.4H(52) |
| | CODE NO. | CL662-8104-5-52 |
| | | \triangle 2/2 |