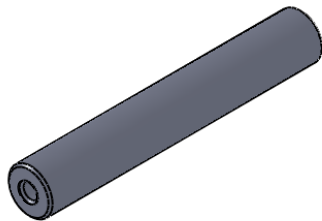
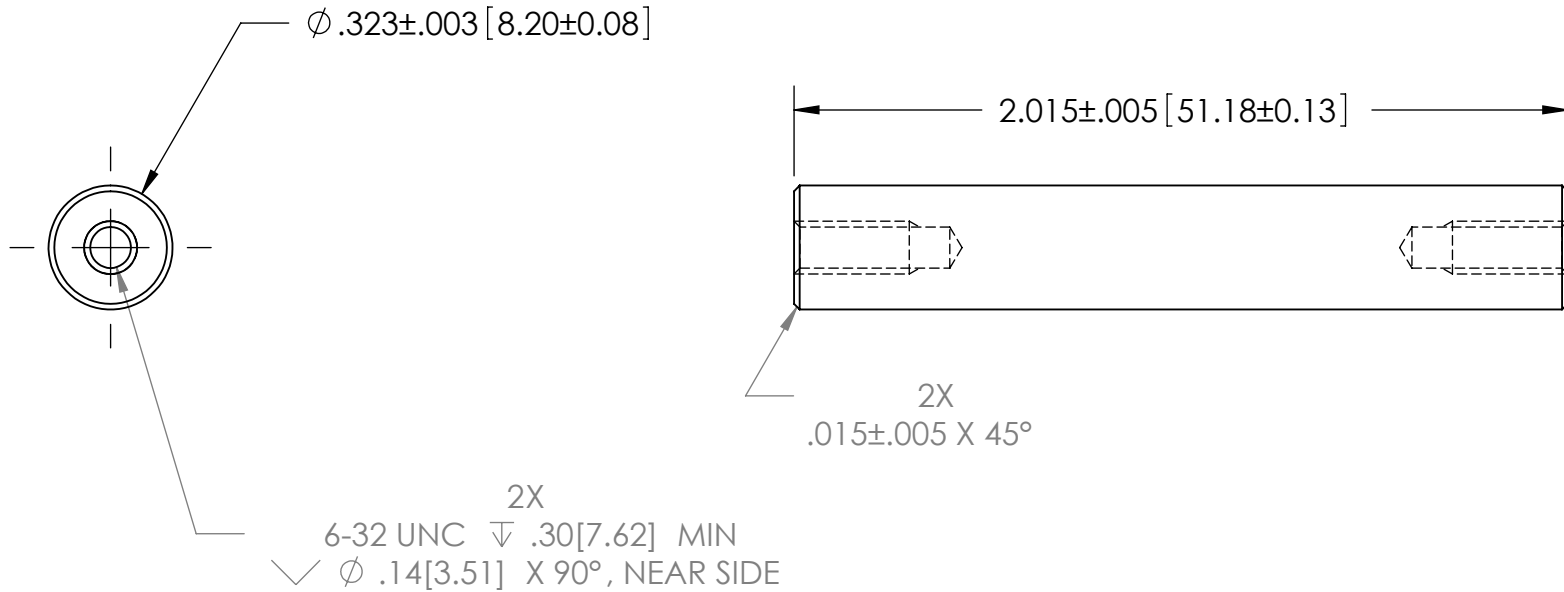


Material: Aluminum

NOTES



<b>PROPRIETARY INFORMATION</b> THE INFORMATION CONTAINED IN THIS DRAWING IS THE SOLE PROPERTY OF PARALLAX, INC. ANY REPRODUCTION IN PART OR IN WHOLE WITHOUT THE WRITTEN PERMISSION OF PARALLAX, INC. IS PROHIBITED.	<b>PARALLAX</b> 		DATE 20081027
	599 MENLO DRIVE ROCKLIN, CA 95765	www.PARALLAX.com (916) 624-8333	Part # --- REV ---
<b>UNLESS OTHERWISE SPECIFIED</b> DIMENSIONS ARE IN INCHES (mm) LENGTH TOLERANCES: X.XX ± 0.005 IN X.XXX ± 0.001 IN ANGLE TOLERANCES: X ± 2° X.X ± 0.5°	TITLE <b>Tail Wheel Axle</b>		Parent Part # ---
SCALE: 2:1		DRAWN BY Kevin McCullough	SHEET 1 OF 1