

TOSHIBA CDMOS Integrated Circuit Silicon Monolithic

TC62D776CFG/CFNAG

16-Output constant current LED driver

with the output gain control function and the output error detection function

Features

- Power supply voltages : $V_{DD} = 3.3\text{ V}$ and 5.0 V
- 16-output built-in
- Output current setting range : $I_{OUT} = 1.5\sim 90\text{ mA}$
- Current accuracy (@ $R_{EXT} = 1.2\text{ k}\Omega$, $V_{OUT} = 1.0\text{ V}$, $V_{DD} = 3.3\text{ V}$, 5.0 V)
 - : S rank ; Between outputs $\pm 1.5\%$ (max)
 - : S rank ; Between devices: $\pm 1.5\%$ (max)
 - : N rank ; Between outputs $\pm 2.5\%$ (max)
 - : N rank ; Between devices: $\pm 2.5\%$ (max)
- Output voltage : $V_{OUT} = 17\text{ V}$ (max)
- Input signal voltage level : 3.3 V and 5.0 V CMOS interfaces (Schmitt trigger input)
- Data transfer frequency : $f_{SCK} = 25\text{ MHz}$ (MAX)
- Operation temperature range : $T_{opr} = -40\sim 85\text{ }^\circ\text{C}$
- 8-bit (256 steps) output gain control function built-in.
- Thermal shutdown function (TSD) built-in.
- Output error detection function built-in.
 - This function has the automatic operation and the command input manual operation.
 - Output open detection function (OOD) and output short detection function (OSD) built-in.
- Power-on-reset function built-in. (When the power supply is turned on, internal data is reset)
- Stand-by function built-in. ($I_{DD} = 1\mu\text{A}$ at standby mode)
- Output delay function built-in. (Output switching noise is reduced)
- Package : CFG type SSOP24-P-300-1.00B
: CFNAG type SSOP24-P-150-0.64

Absolute Maximum Ratings ($T_a = 25\text{ }^\circ\text{C}$)

Characteristics	Symbol	Rating *Note1	Unit
Power supply voltage	V_{DD}	-0.3~6.0	V
Output current	I_{OUT}	95	mA
Logic input voltage	V_{IN}	-0.3~ $V_{DD} + 0.3$ *Note2	V
Output voltage	V_{OUT}	-0.3~17	V
Operating temperature	T_{opr}	-40~85	$^\circ\text{C}$
Storage temperature	T_{stg}	-55~150	$^\circ\text{C}$
Thermal resistance	$R_{th(j-a)}$	94 (CFG), 80.07(CFNAG) *Note3	$^\circ\text{C}/\text{W}$
Power dissipation	P_D *Note4	1.32 (CFG), 1.56(CFNAG) *Note3	W

*Note1 : Voltage is ground referenced.

*Note2 : Do not exceed 6.0V.

*Note3 : PCB condition 76.2 x 114.3 x 1.6 mm, Cu 30% (SEMI conforming)

*Note4 : The power dissipation decreases the reciprocal of the saturated thermal resistance ($1/R_{th(j-a)}$) for each degree (1°C) that the ambient temperature is exceeded ($T_a = 25^\circ\text{C}$).

Please use contents on this material as reference.

Please contact if you need formal datasheet.

Operating Condition (Unless otherwise specified, $V_{DD} = 3.0\sim 5.5\text{ V}$ $T_a = -40\sim 85\text{ }^\circ\text{C}$)

Characteristics	Symbol	Test Conditions	Min	Typ.	Max	Unit
Power supply voltage	V_{DD}	—	3.0	—	5.5	V
High level logic input voltage	V_{IH}	SIN,SCK, $\overline{\text{SLAT}}$, $\overline{\text{OE}}$	$0.7 \times V_{DD}$	—	V_{DD}	V
Low level logic input voltage	V_{IL}	SIN,SCK, $\overline{\text{SLAT}}$, $\overline{\text{OE}}$	GND	—	$0.3 \times V_{DD}$	V
Serial data transfer frequency	f_{SCK}	Cascade connect	—	—	25	MHz

Electrical Characteristics (Unless otherwise specified, $V_{DD} = 3.3\text{ V}$ or 5.0 V , $T_a = 25\text{ }^\circ\text{C}$)

Characteristics	Symbol	Test Conditions	Min	Typ.	Max	Unit
Constant current error (Ch to Ch)	(S rank)	$\Delta I_{OUT(Ch)}$ $V_{OUT} = 1.0\text{ V}$, $R_{EXT} = 1.2\text{ k}\Omega$, 1 output on	—	± 1.0	± 1.5	%
	(N rank)		—	± 1.0	± 2.5	
Constant current error (IC to IC)	(S rank)	$\Delta I_{OUT(IC)}$ $V_{OUT} = 1.0\text{ V}$, $R_{EXT} = 1.2\text{ k}\Omega$, 1 output on	—	± 1.0	± 1.5	%
	(N rank)		—	± 1.0	± 2.5	

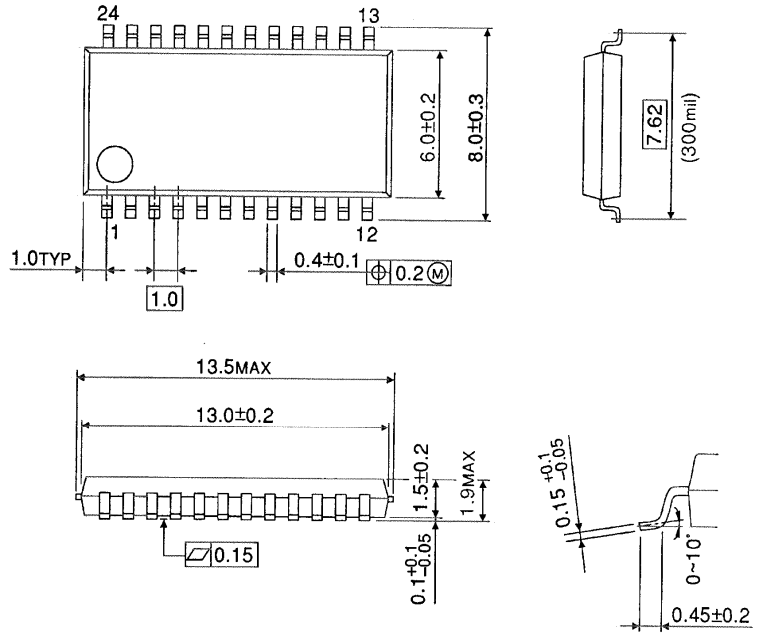
Pin Assignment

Pin No.	Name
1	GND
2	SIN
3	SCK
4	TRANS
5	OUT ₀
6	OUT ₁
7	OUT ₂
8	OUT ₃
9	OUT ₄
10	OUT ₅
11	OUT ₆
12	OUT ₇
13	OUT ₈
14	OUT ₉
15	OUT ₁₀
16	OUT ₁₁
17	OUT ₁₂
18	OUT ₁₃
19	OUT ₁₄
20	OUT ₁₅
21	ENABLE
22	SOUT
23	REXT
24	VDD

Package

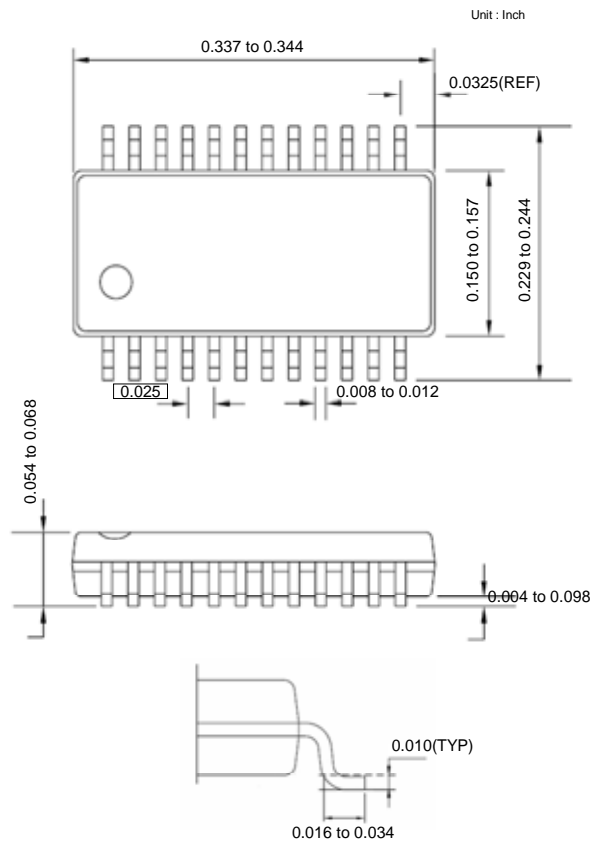
TC62D776CFG : SSOP24-P-300-1.00B
 Weight: 0.32 g (typ.)

Unit : mm

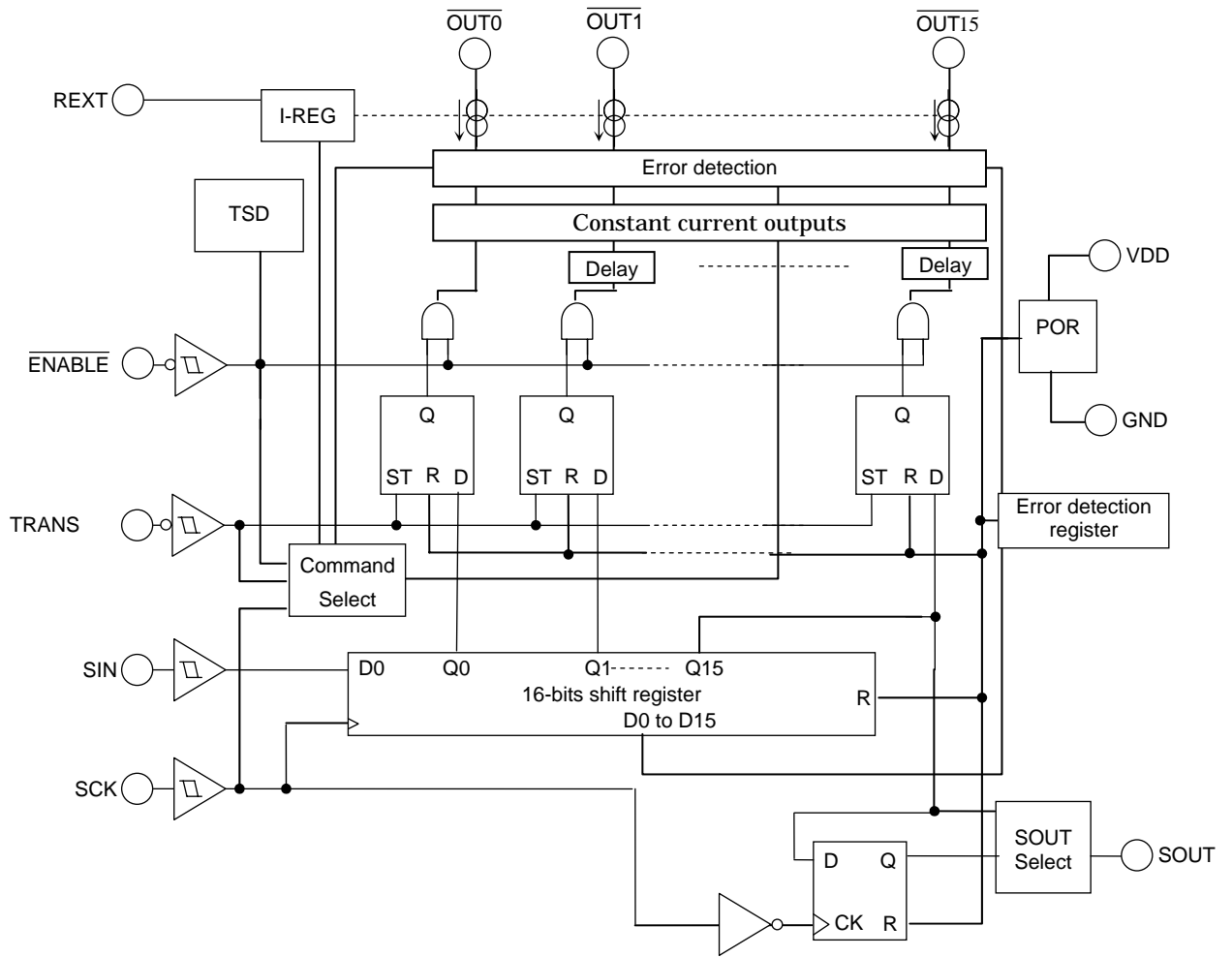


TC62D776CFNAG : SSOP24-P-150-0.64
 Weight: 0.14 g (typ.)

Unit : Inch



Block Diagram



Notes on Contents

1. Block Diagrams

Some of the functional blocks, circuits, or constants in the block diagram may be omitted or simplified for explanatory purposes.

2. Equivalent Circuits

The equivalent circuit diagrams may be simplified or some parts of them may be omitted for explanatory purposes.

4. Application Circuits

The application circuits shown in this document are provided for reference purposes only. Thorough evaluation is required, especially at the mass production design stage.

Toshiba does not grant any license to any industrial property rights by providing these examples of application circuits.

5. Test Circuits

Components in the test circuits are used only to obtain and confirm the device characteristics. These components and circuits are not guaranteed to prevent malfunction or failure from occurring in the application equipment.

IC Usage Considerations

Notes on handling of ICs

- [1] The absolute maximum ratings of a semiconductor device are a set of ratings that must not be exceeded, even for a moment. Do not exceed any of these ratings.
Exceeding the rating(s) may cause the device breakdown, damage or deterioration, and may result injury by explosion or combustion.
- [2] Use an appropriate power supply fuse to ensure that a large current does not continuously flow in case of over current and/or IC failure. The IC will fully break down when used under conditions that exceed its absolute maximum ratings, when the wiring is routed improperly or when an abnormal pulse noise occurs from the wiring or load, causing a large current to continuously flow and the breakdown can lead smoke or ignition. To minimize the effects of the flow of a large current in case of breakdown, appropriate settings, such as fuse capacity, fusing time and insertion circuit location, are required.
- [3] If your design includes an inductive load such as a motor coil, incorporate a protection circuit into the design to prevent device malfunction or breakdown caused by the current resulting from the inrush current at power ON or the negative current resulting from the back electromotive force at power OFF. IC breakdown may cause injury, smoke or ignition.
Use a stable power supply with ICs with built-in protection functions. If the power supply is unstable, the protection function may not operate, causing IC breakdown. IC breakdown may cause injury, smoke or ignition.
- [4] Do not insert devices in the wrong orientation or incorrectly.
Make sure that the positive and negative terminals of power supplies are connected properly.
Otherwise, the current or power consumption may exceed the absolute maximum rating, and exceeding the rating(s) may cause the device breakdown, damage or deterioration, and may result injury by explosion or combustion.
In addition, do not use any device that is applied the current with inserting in the wrong orientation or incorrectly even just one time.
- [5] Carefully select external components (such as inputs and negative feedback capacitors) and load components (such as speakers), for example, power amp and regulator.
If there is a large amount of leakage current such as input or negative feedback condenser, the IC output DC voltage will increase. If this output voltage is connected to a speaker with low input withstand voltage, overcurrent or IC failure can cause smoke or ignition. (The over current can cause smoke or ignition from the IC itself.) In particular, please pay attention when using a Bridge Tied Load (BTL) connection type IC that inputs output DC voltage to a speaker directly.

Points to remember on handling of ICs**(1) Heat Radiation Design**

In using an IC with large current flow such as power amp, regulator or driver, please design the device so that heat is appropriately radiated, not to exceed the specified junction temperature (T_j) at any time and condition. These ICs generate heat even during normal use. An inadequate IC heat radiation design can lead to decrease in IC life, deterioration of IC characteristics or IC breakdown. In addition, please design the device taking into consideration the effect of IC heat radiation with peripheral components.

(2) Back-EMF

When a motor rotates in the reverse direction, stops or slows down abruptly, a current flows back to the motor's power supply due to the effect of back-EMF. If the current sink capability of the power supply is small, the device's motor power supply and output pins might be exposed to conditions beyond maximum ratings. To avoid this problem, take the effect of back-EMF into consideration in system design.

Restrictions on product use

- This document and any information herein may not be reproduced without prior written permission from TOSHIBA. Even with TOSHIBA's written permission, reproduction is permissible only if reproduction is without alteration/omission.
- Though TOSHIBA works continually to improve Product's quality and reliability, Product can malfunction or fail. Customers are responsible for complying with safety standards and for providing adequate designs and safeguards for their hardware, software and systems which minimize risk and avoid situations in which a malfunction or failure of Product could cause loss of human life, bodily injury or damage to property, including data loss or corruption. Before creating and producing designs and using, customers must also refer to and comply with (a) the latest versions of all relevant TOSHIBA information, including without limitation, this document, the specifications, the data sheets and application notes for Product and the precautions and conditions set forth in the "TOSHIBA Semiconductor Reliability Handbook" and (b) the instructions for the application that Product will be used with or for. Customers are solely responsible for all aspects of their own product design or applications, including but not limited to (a) determining the appropriateness of the use of this Product in such design or applications; (b) evaluating and determining the applicability of any information contained in this document, or in charts, diagrams, programs, algorithms, sample application circuits, or any other referenced documents; and (c) validating all operating parameters for such designs and applications. TOSHIBA ASSUMES NO LIABILITY FOR CUSTOMERS' PRODUCT DESIGN OR APPLICATIONS.
- Product is intended for use in general electronics applications (e.g., computers, personal equipment, office equipment, measuring equipment, industrial robots and home electronics appliances) or for specific applications as expressly stated in this document. Product is neither intended nor warranted for use in equipment or systems that require extraordinarily high levels of quality and/or reliability and/or a malfunction or failure of which may cause loss of human life, bodily injury, serious property damage or serious public impact ("Unintended Use"). Unintended Use includes, without limitation, equipment used in nuclear facilities, equipment used in the aerospace industry, medical equipment, equipment used for automobiles, trains, ships and other transportation, traffic signaling equipment, equipment used to control combustions or explosions, safety devices, elevators and escalators, devices related to electric power, and equipment used in finance-related fields. Do not use Product for Unintended Use unless specifically permitted in this document.
- Do not disassemble, analyze, reverse-engineer, alter, modify, translate or copy Product, whether in whole or in part.
- Product shall not be used for or incorporated into any products or systems whose manufacture, use, or sale is prohibited under any applicable laws or regulations.
- The information contained herein is presented only as guidance for Product use. No responsibility is assumed by TOSHIBA for any infringement of patents or any other intellectual property rights of third parties that may result from the use of Product. No license to any intellectual property right is granted by this document, whether express or implied, by estoppel or otherwise.
- ABSENT A WRITTEN SIGNED AGREEMENT, EXCEPT AS PROVIDED IN THE RELEVANT TERMS AND CONDITIONS OF SALE FOR PRODUCT, AND TO THE MAXIMUM EXTENT ALLOWABLE BY LAW, TOSHIBA (1) ASSUMES NO LIABILITY WHATSOEVER, INCLUDING WITHOUT LIMITATION, INDIRECT, CONSEQUENTIAL, SPECIAL, OR INCIDENTAL DAMAGES OR LOSS, INCLUDING WITHOUT LIMITATION, LOSS OF PROFITS, LOSS OF OPPORTUNITIES, BUSINESS INTERRUPTION AND LOSS OF DATA, AND (2) DISCLAIMS ANY AND ALL EXPRESS OR IMPLIED WARRANTIES AND CONDITIONS RELATED TO SALE, USE OF PRODUCT, OR INFORMATION, INCLUDING WARRANTIES OR CONDITIONS OF MERCHANTABILITY, FITNESS FOR A PARTICULAR PURPOSE, ACCURACY OF INFORMATION, OR NONINFRINGEMENT.
- Do not use or otherwise make available Product or related software or technology for any military purposes, including without limitation, for the design, development, use, stockpiling or manufacturing of nuclear, chemical, or biological weapons or missile technology products (mass destruction weapons). Product and related software and technology may be controlled under the Japanese Foreign Exchange and Foreign Trade Law and the U.S. Export Administration Regulations. Export and re-export of Product or related software or technology are strictly prohibited except in compliance with all applicable export laws and regulations.
- Please contact your TOSHIBA sales representative for details as to environmental matters such as the RoHS compatibility of Product. Please use Product in compliance with all applicable laws and regulations that regulate the inclusion or use of controlled substances, including without limitation, the EU RoHS Directive. TOSHIBA assumes no liability for damages or losses occurring as a result of noncompliance with applicable laws and regulations.