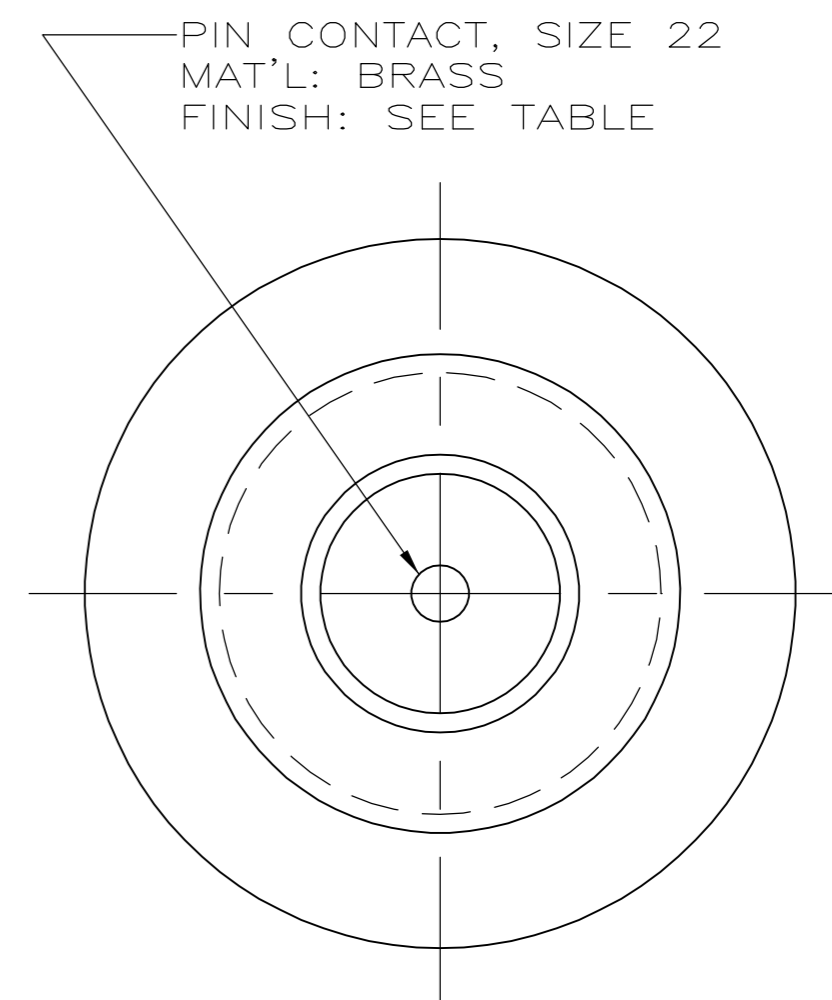
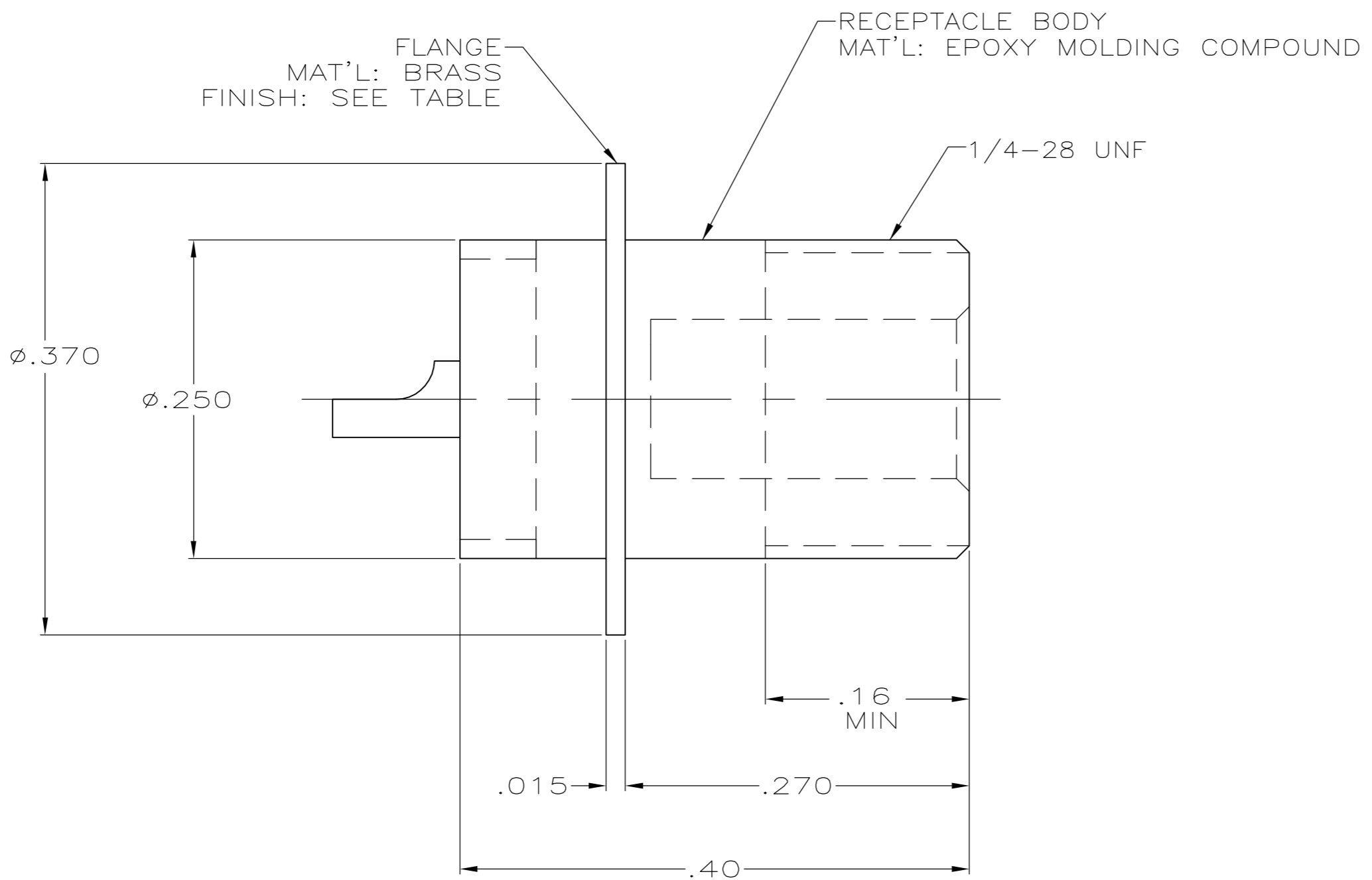


THIS DRAWING IS UNPUBLISHED. RELEASED FOR PUBLICATION - .N/A .
 © COPYRIGHT N/A BY TYCO ELECTRONICS CORPORATION. ALL RIGHTS RESERVED.

| LOC | DIST | REVISIONS | | | | | |
|-----|------|-----------|-----|----------------------|-------|-----|------|
| DF | SO | P | LTR | DESCRIPTION | DATE | DWN | APVD |
| | | B | | REV PER 0H14-0191-05 | 05-05 | AA | DE |

1. RECEPTACLE WILL MATE WITH ANY LGH-1/4 LEAD ASSEMBLY.
2. RATING: 5KVDC (7.5 KVDC DWV)
0 TO 70,000 FEET ALTITUDE
-55°C TO +125°C



| | |
|----------|------------|
| TIN | 5-445159-1 |
| TIN-LEAD | 445159-1 |
| FINISH | PART NO |

| | | | | | |
|--|--|------------------|---------------------------------|-----------|---|
| THIS DRAWING IS A CONTROLLED DOCUMENT. | | DWN | C.C.THOMAS | 01-NOV-88 | Tyco Electronics Corporation Harrisburg, Pa 17105-3608 |
| DIMENSIONS: INCHES | | CHK | M.GARDNER | 05-NOV-88 | |
| TOLERANCES UNLESS OTHERWISE SPECIFIED: | | APVD | M.GARDNER | 05-NOV-88 | |
| 0 PLC ± - 1 PLC ± - 2 PLC ± .02 3 PLC ± .010 4 PLC ± - ANGLES ± - FINISH SEE TABLE | | PRODUCT SPEC | NAME | | |
| MATERIAL SEE CALLOUTS | | APPLICATION SPEC | RECEPTACLE METAL FLANGE LGH-1/4 | | RESTRICTED TO |
| | | WEIGHT | - | SIZE | A2 |
| | | CUSTOMER DRAWING | CAGE CODE | 00779 | DRAWING NO |
| | | SCALE | 10:1 | SHEET | 1 OF 1 |
| | | REV | B | | |

445159