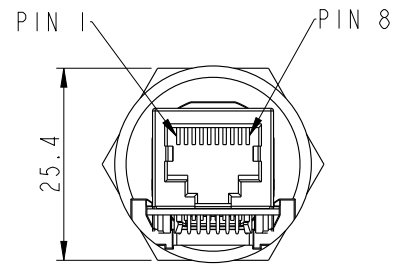
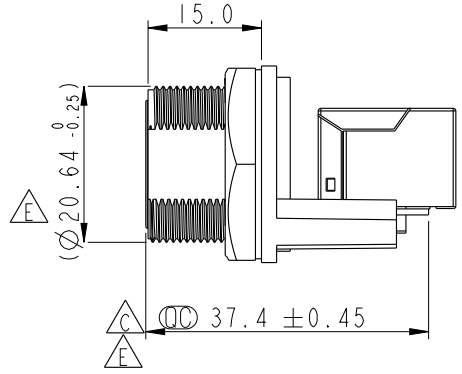
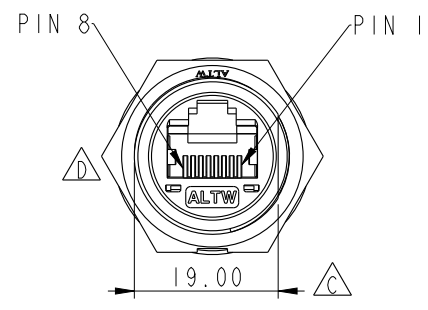
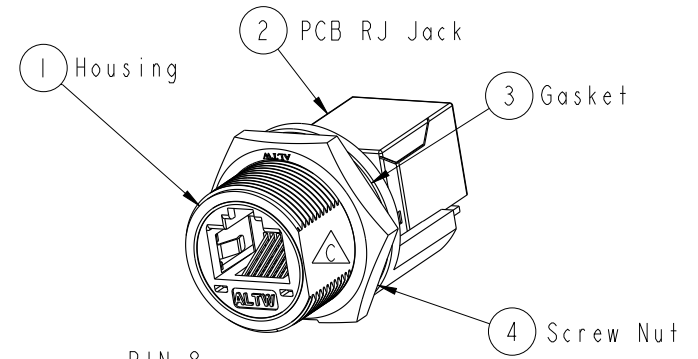
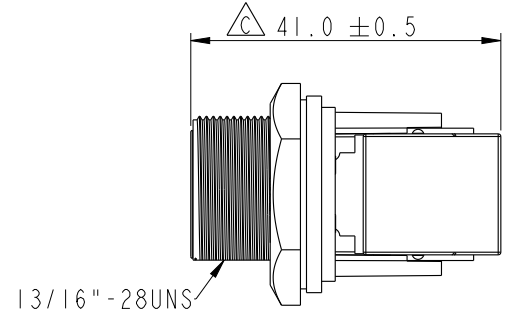
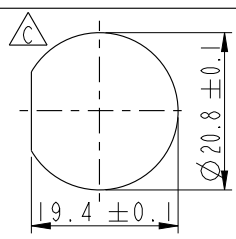


THIS DOCUMENT IS SUBJECT TO CHANGE WITHOUT NOTICE. IT IS CONFIDENTIAL AND A PROPERTY OF AMPHENOL LTW. DISCLOSURE TO THIRD PARTY HAS TO BE AUTHORIZED BY AMPHENOL LTW.

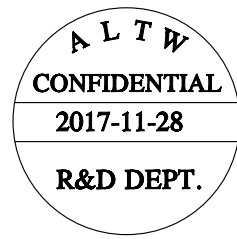
REV.	ECN NO.	DATE	SIGN	DESCRIPTION
C	LEN1440092	2014-04-04	Tom-gu	Change H Cut To D Cut
D	LEN15C0246	2015-12-16	Jinhai	凸字底部修平
E	LEN1810008	2017-11-28	Jalam	Modify The Tolerance



- Note:
- * \varnothing Important Dimension
 - * Waterproof Rate : IP67 Mated
 - * Housing : Nylon+GF, UL 94V-0, BLACK
 - * Screw Nut : Nylon+GF, BLACK
 - * Gasket : Silicone, UL 94V-0, Gray.
 - * PCB: FR-4
 - * Jack : PBT Polyester UL 94V-0
 - * Use without Waterproof cap or Dust cap
For Panel Thickness Max: 4.2mm
 - * Use with Waterproof cap or Dust cap
For Panel Thickness Max: 3.0mm
 - * Screw torsion value range: 8~12kgf-cm



Recommended Panel Cut-out Rear View



UNIT: mm		TITLE RJ45, C SIZE, MATED WP			<h1>Amphenol LTW</h1> <p>安費諾亮泰企業股份有限公司</p>	ITEM NO RCP-5SPFFH-SCM7001	DRAWN BY Jalam	DATE 2017-11-28
		TOLERANCE .X ±0.25 .XX ±0.1 .XXX ±0.05 ANGLES ±1°	SCALE 1:1	SIZE A4		SHEET 1 OF 1	DWG NO RCP-5SPFFH-SCM7001	CHECKED BY Feng_Li
		REV. E	WC-REV. C.3	\varnothing : Inspection item	CUSTOMER ALTW	APPROVED BY Jerry	DATE 2017-11-28	