

THIS DRAWING IS UNPUBLISHED. RELEASED FOR PUBLICATION
 © COPYRIGHT - By - ALL RIGHTS RESERVED.

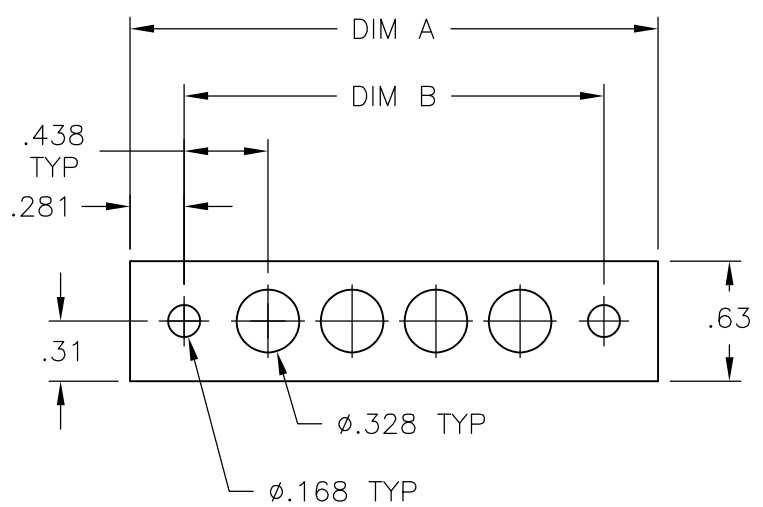
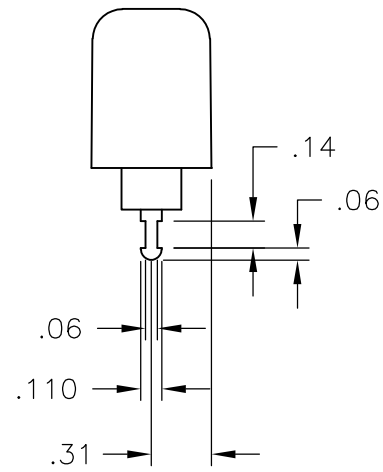
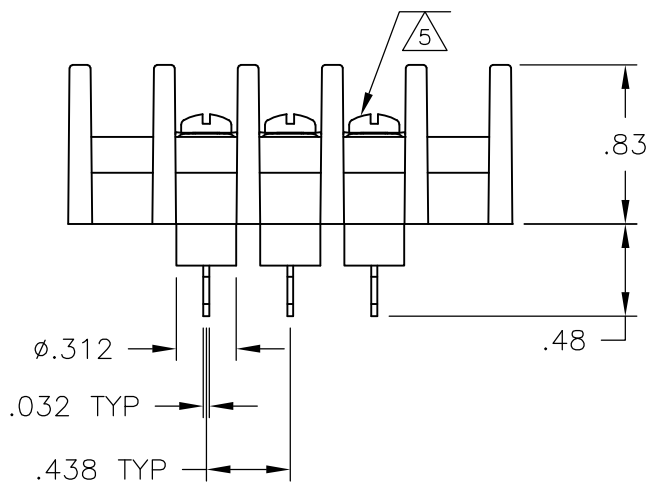
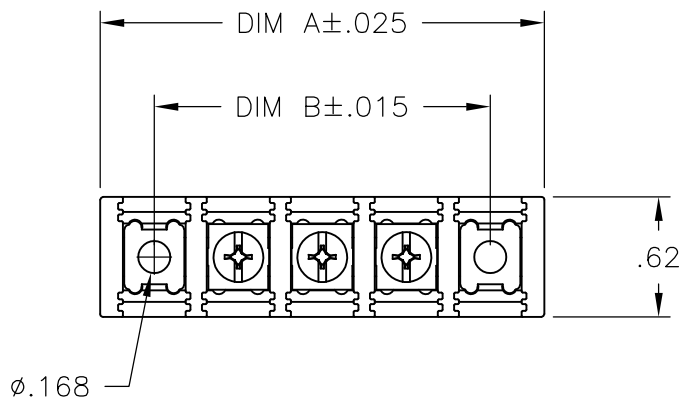
LOC	DIST	REVISIONS					
FT	0	P	LTR	DESCRIPTION	DATE	DWN	APVD
		B		REVISED PER ECO-11-023039	21FEB12	KH	MS

MATERIAL:
 HOUSING: THERMOPLASTIC, UL94V-2, BLACK.
 TERMINALS: BRASS, BRIGHT TIN PLATE.
 SCREWS: 6-32, STEEL, PLATED .0002 MIN ZINC W/
 CLEAR CHROMATE COATING.

ELECTRICAL:
 MAXIMUM CURRENT: 20A.
 OPERATING VOLTAGE: 600V.
 WIRE RANGE: 12-22 AWG.

ENVIRONMENTAL:
 OPERATING TEMP.: -60°C TO +105°C

- ① BRASS SCREWS.
- ② STAINLESS STEEL SCREWS.
- ③ BUSHINGS INSERTED IN END CAVITIES AS SHOWN.
- ④ OBSOLETE PARTS: OBSOLETE CIS STREAMLINING PER D.RENAUD/D.SINISI
- ⑤ ALL SCREWS BOTTOMED, TORQUE 2 TO 4 IN -LBS.



RECOMMENDED PCB LAYOUT

④	DIM A	NO. OF POS.	CATALOG NUMBER	PART NUMBER		
④	10.187	21	SSB7TM210101	2-1546985-1		
④	9.750	20	SSB7TM200101	2-1546985-0		
④	9.312	19	SSB7TM190101	1-1546985-9		
④	8.875	18	SSB7TM180101	1-1546985-8		
④	8.437	17	SSB7TM170101	1-1546985-7		
④	8.000	16	SSB7TM160101	1-1546985-6		
④	7.562	15	SSB7TM150101	1-1546985-5		
④	7.125	14	SSB7TM140101	1-1546985-4		
④	6.687	13	SSB7TM130101	1-1546985-3		
④	6.250	12	SSB7TM120101	1-1546985-2		
④	5.812	11	SSB7TM110101	1-1546985-1		
④	5.375	10	SSB7TM100101	1-1546985-0		
④	4.937	9	SSB7TM090101	1546985-9		
④	OBSOLETE	8	SSB7TM080101	1437417-9		
④	③	OBSOLETE	4.062	7	SSB7TE070103	7-1437416-7
④	③	OBSOLETE	4.062	7	SSB7TE070101	7-1437416-6
④	OBSOLETE	4.062	7	SSB7TM070101	1546985-7	
④	②	OBSOLETE	3.625	6	SSB7TM060103	3-1546561-7
④	①	OBSOLETE	3.625	6	SSB7TM060104	796602-4
④	OBSOLETE	3.625	6	SSB7TM060101	1437417-7	
④	OBSOLETE	3.187	5	SSB7TM050101	1546985-5	
③	2.750	4	SSB7TE040101	2-1546561-0		
④	OBSOLETE	2.750	4	SSB7TM040101	1437417-6	
④	OBSOLETE	2.312	3	SSB7TM030101	1546985-3	
④	③	OBSOLETE	1.875	2	SSB7TE020101	7-1437416-2
④	OBSOLETE	1.875	2	SSB7TM020101	1546985-2	
④	OBSOLETE	1.437	1	SSB7TM010101	1546985-1	

THIS DRAWING IS A CONTROLLED DOCUMENT.		DWN S SCHL GEL 11/17/06	STE TE Connectivity	
DIMENSIONS: INCHES		CHK S YODER 11/17/06		
TOLERANCES UNLESS OTHERWISE SPECIFIED:		APVD S YODER 11/17/06	NAME SSB7TMXX0101	
0 PLC ± -		PRODUCT SPEC	-	
1 PLC ± -		APPLICATION SPEC	-	
2 PLC ± .02		SIZE	CAGE CODE	DRAWING NO
3 PLC ± .010		—	—	—
4 PLC ± -		WEIGHT	—	RESTRICTED TO
ANGLES ± 1°		—	—	—
MATERIAL		A3 00779		G-796602-4
FINISH		CUSTOMER DRAWING		SCALE NTS SHEET 1 OF 2 REV B

4

3

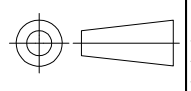
2

1

THIS DRAWING IS UNPUBLISHED. RELEASED FOR PUBLICATION - , - .
 © COPYRIGHT - By - ALL RIGHTS RESERVED.

LOC	DIST	REVISIONS					
FT	0	P	LTR	DESCRIPTION	DATE	DWN	APVD
		-		SEE SHEET 1	-	-	-

OBSOLETE	11.937	25	SSB7TM250101	2-1546985-5
	11.500	24	SSB7TM240101	2-1546985-4
	11.062	23	SSB7TM230101	2-1546985-3
	10.625	22	SSB7TM220101	2-1546985-2
	DIM A	NO. OF POS.	CATALOG NUMBER	PART NUMBER

THIS DRAWING IS A CONTROLLED DOCUMENT.		DWN S SCHLGEL	11/17/06	STE TE Connectivity			
DIMENSIONS: INCHES		CHK S YODER	11/17/06				
TOLERANCES UNLESS OTHERWISE SPECIFIED:		APVD S YODER	11/17/06	NAME SSB7TMXX0101			
		PRODUCT SPEC		-			
0 PLC ± - 1 PLC ± - 2 PLC ± .02 3 PLC ± .010 4 PLC ± - ANGLES ± 1°		APPLICATION SPEC		-			
MATERIAL	FINISH	WEIGHT	-	SIZE	CAGE CODE	DRAWING NO	RESTRICTED TO
-	-	-	-	A3	00779	C-796602-4	-
CUSTOMER DRAWING				SCALE	NTS	SHEET	2 OF 2
				REV	B		