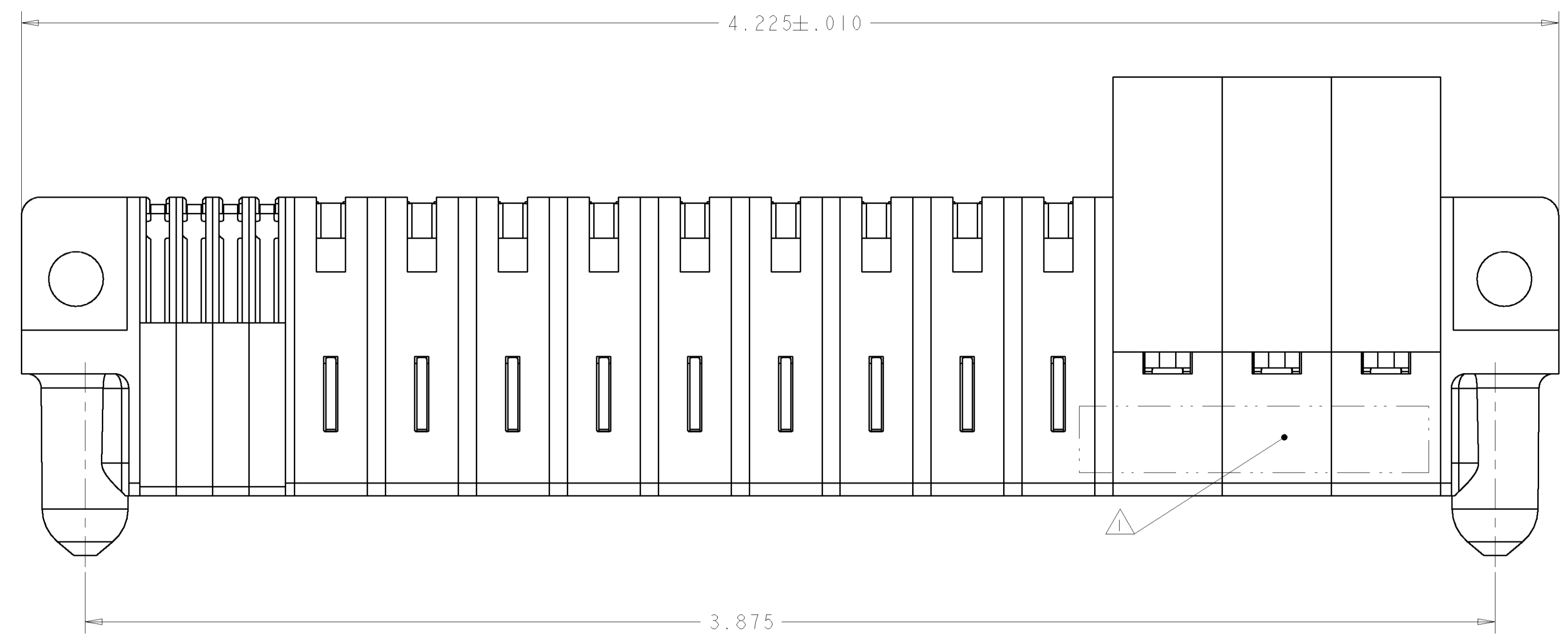
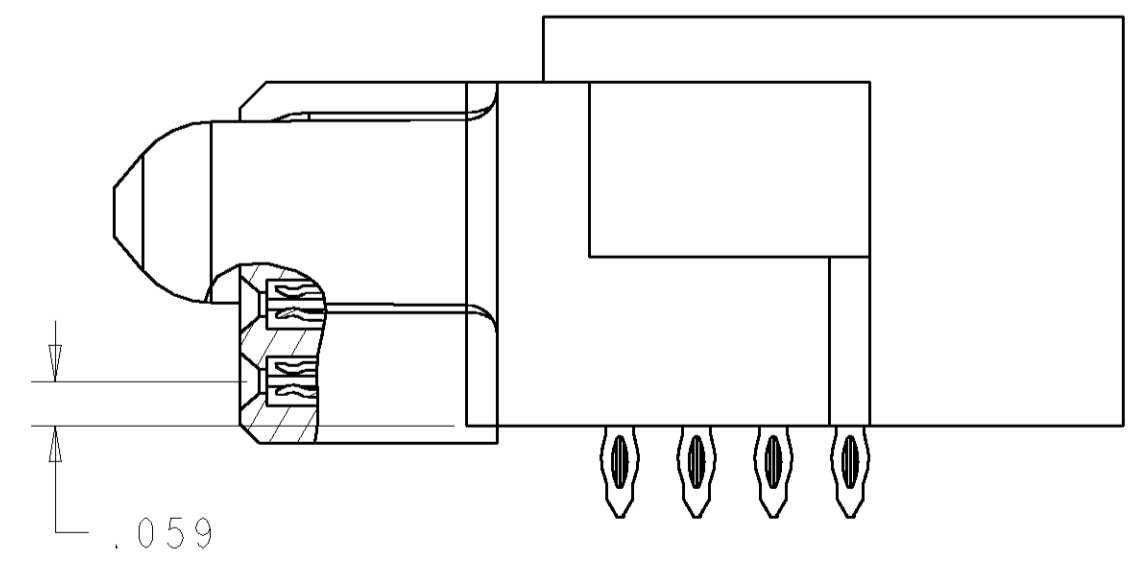
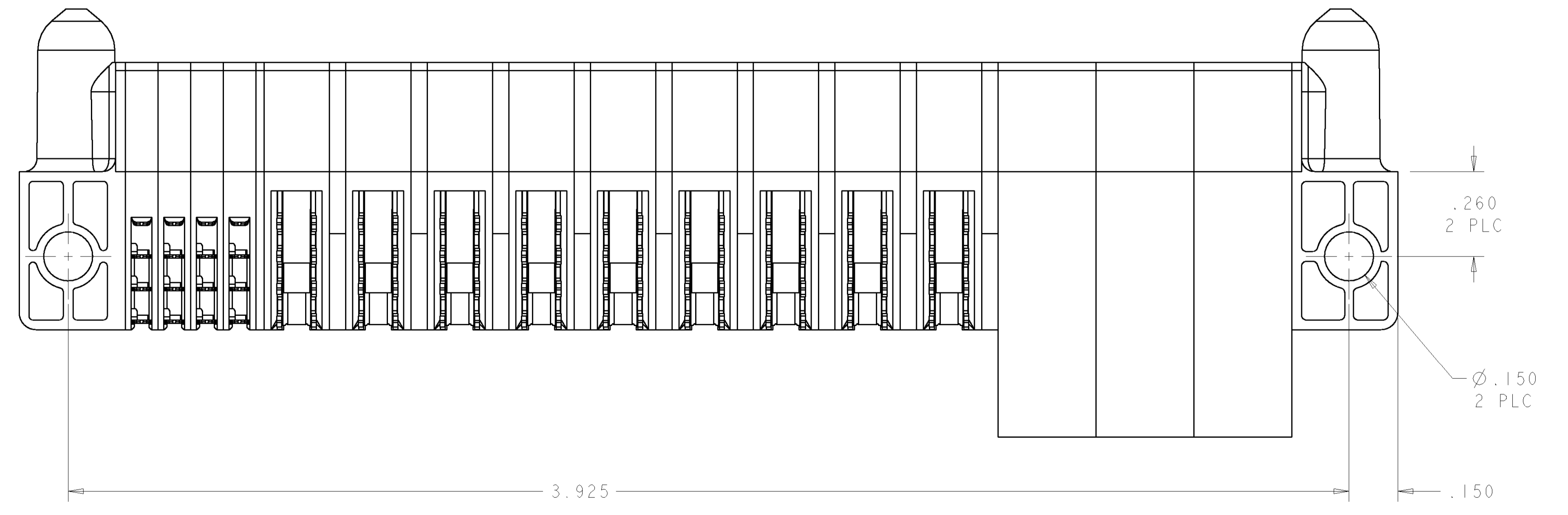
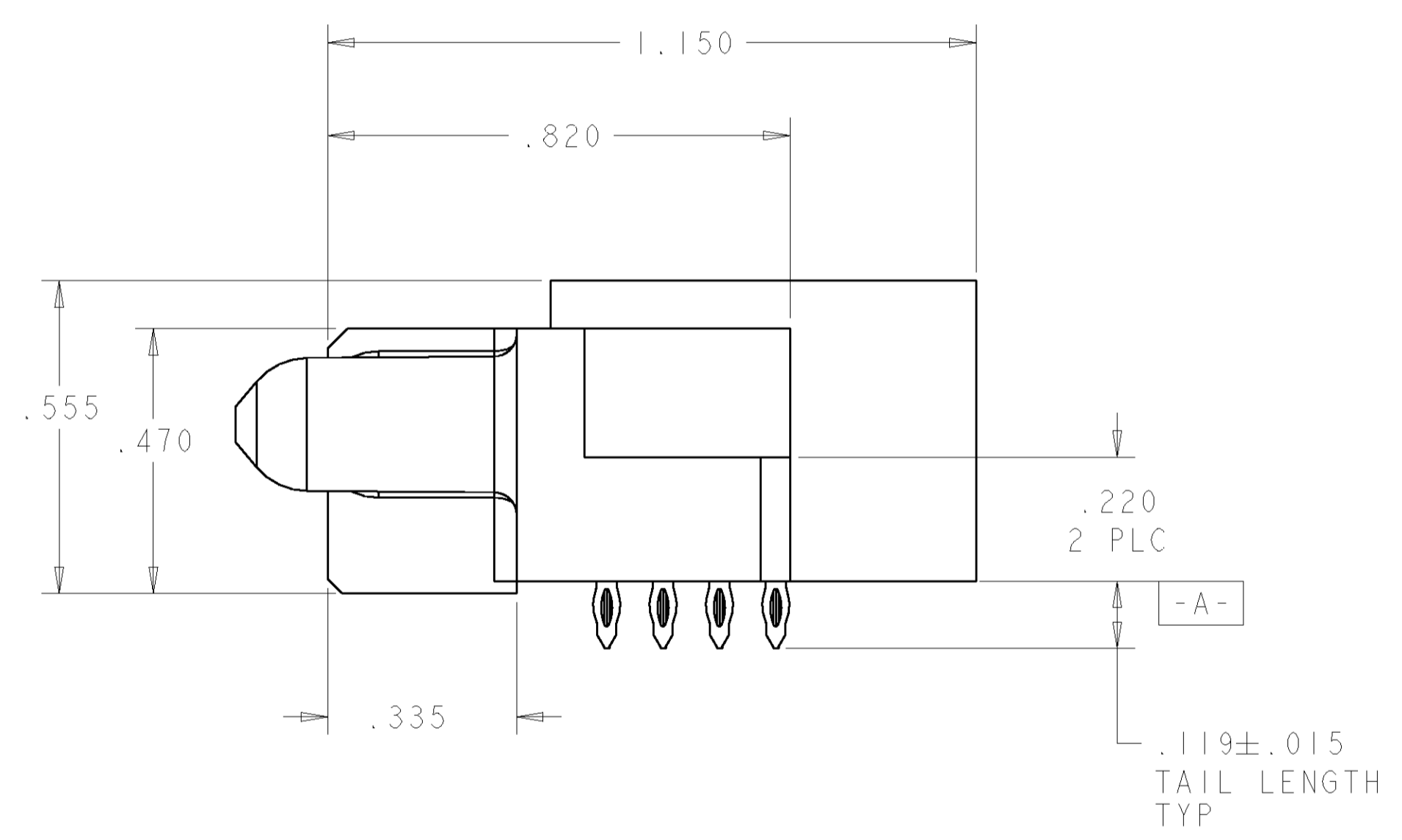
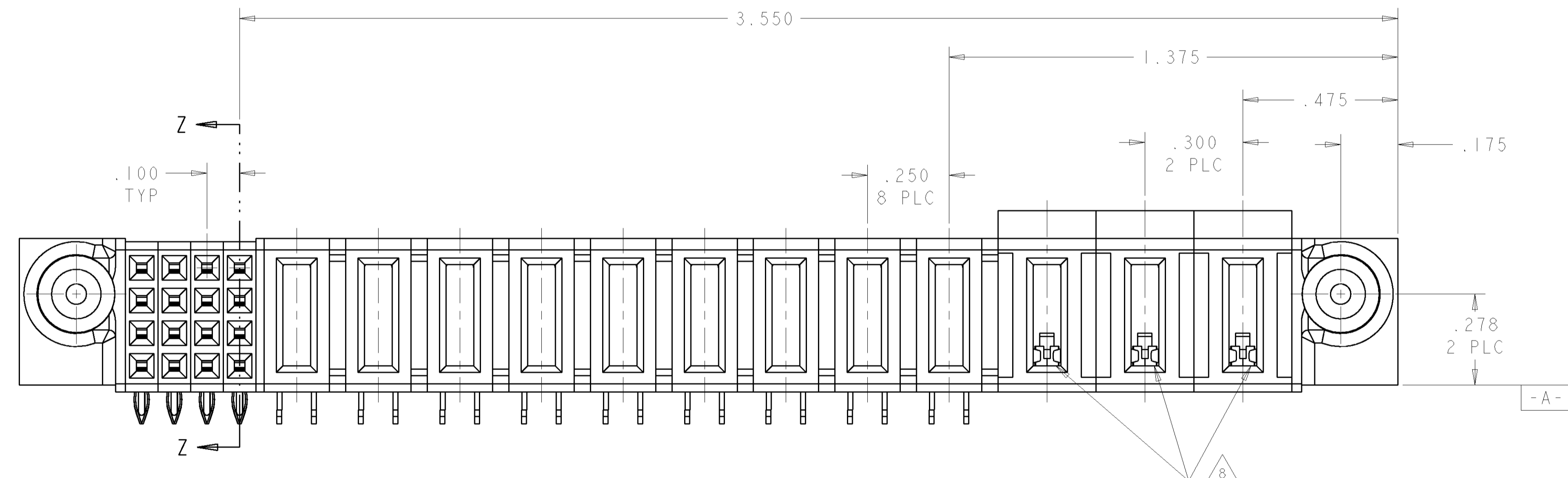


LOC	DIST	REVISIONS					
GP	00	P	LTR	DESCRIPTION	DATE	DWN	APVD
		1		PROPOSED DESIGN	27SEP2005	RG	MP
		2		REVISED	29SEP2005	RG	MP
		3		REVISED	15NOV2005	RG	MP



- 1 "AMP", PART NUMBER AND DATE CODE TO BE MARKED
- 2 MATERIAL: HOUSING - GLASS FILLED HIGH TEMP THERMO PLASTIC, UL94 V-0.  
SIGNAL CONTACT - HIGH CONDUCTIVITY COPPER ALLOY  
POWER CONTACT - HIGH CONDUCTIVITY COPPER ALLOY
- 3 CONTACT PLATING: SIGNAL CONTACTS - .000050 MIN Ni UNDER ALL.  
.000030 MIN Au ON CONTACT AREA  
.000100 MIN Sn AT PCB INTERFACE.  
POWER CONTACTS - .000050 MIN Ni UNDER ALL.  
.000030 MIN Au ON CONTACT AREA  
.000100 MIN Sn AT PCB INTERFACE.
- 4 MECHANICAL CONNECTOR KEEP OUT ZONE.
- 5 DATUM AND BASIC DIMENSIONS ESTABLISHED BY CUSTOMER.
- 6 PCB - ALL HOLE DIAMETERS ARE FINISHED HOLE SIZES
- 7 PCB - .0453 ± .0010 DRILLED HOLES PLATED WITH .0003 MIN Sn  
OVER .001 TO .003 Cu PLATING TO ACHIEVE A .040 DIAMETER HOLE
- 8 A/C POWER CABLE CONTACT LOADED IN THESE CAVITIES.



SECTION Z-Z

3ACP + 9P + 16S		1888132-1	
DESCRIPTION		PART NUMBER	
DIMENSIONS: INCHES 0 PLC ± 1 PLC ±.01 2 PLC ±.01 3 PLC ±.005 4 PLC ±.002 ANGLES ±.020		TOLERANCES UNLESS OTHERWISE SPECIFIED: 0 PLC ± 1 PLC ±.01 2 PLC ±.01 3 PLC ±.005 4 PLC ±.002 ANGLES ±.020	
MATERIAL		FINISH	
CUSTOMER DRAWING		SCALE 4:1 SHEET 1 OF 2 REV 3	

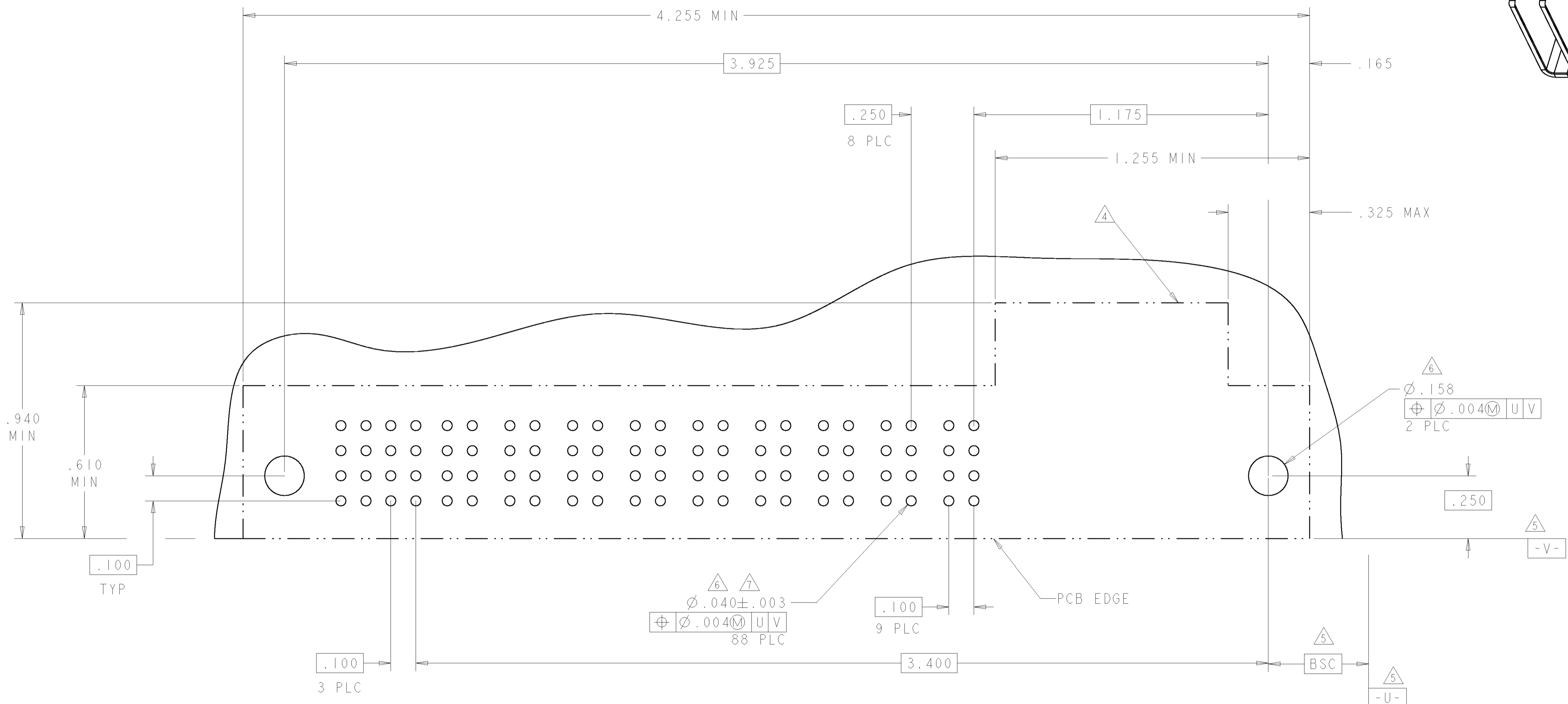
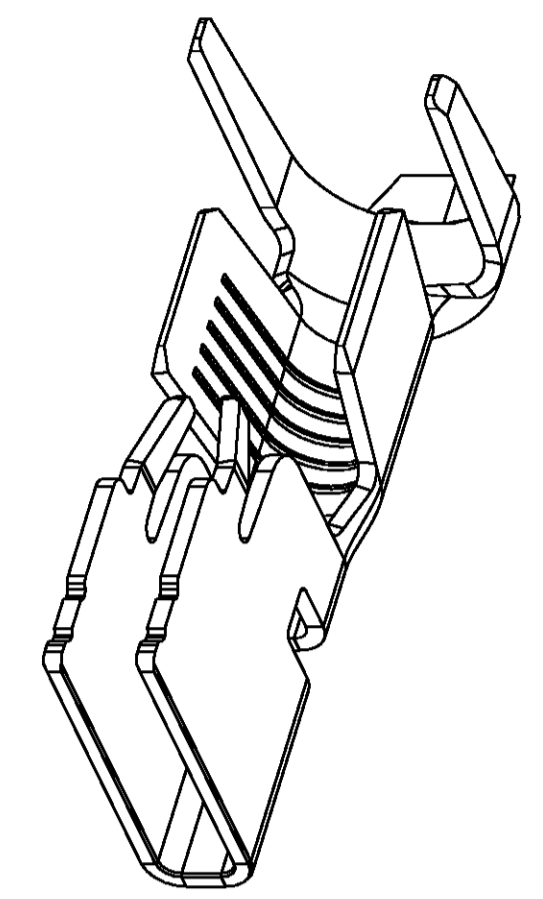
DWN: B. GRZYBOWSKI 27SEPT05  
 ENR: M. PERCHERKE 27SEPT05  
 APVD: M. PERCHERKE  
 PRODUCT SPEC: 108-1973  
 APPLICATION SPEC: 114-13038  
 WEIGHT: -  
 TYPY: -  
 NAME: RIGHT ANGLE RECEPTACLE ASSEMBLY  
 A/C PASS THRU W/GUIDES  
 MULTI-BEAM XL  
 SIZE: 00779  
 CAGE CODE: 1888132-1  
 RESTRICTED TO: -

Tyco Electronics  
 Harrisburg, PA 17105-3608

LOC	DIST	REVISIONS					
GP	00	P	LTR	DESCRIPTION	DATE	DNW	APVD
-	-	-	-	SEE SHEET 1	-	-	-

PART NUMBER	ROWS	SIGNAL				POWER								POWER			
		4	3	2	1	P12	P11	P10	P9	P8	P7	P6	P5	P4	P3	P2	P1
1888132-1	D	D	D	D	D	RS	RS	RP	RP	RP	RP	RS	RS	RS	MFBL	STD	STD
	C	C	C	C	C												
	B	B	B	B	B												
	A	A	A	A	A												

3ACP + 9P + 16S



CODE	DESCRIPTION	ROW
D	SIGNAL CONTACT, PRESS FIT	D
C	SIGNAL CONTACT, PRESS FIT	C
B	SIGNAL CONTACT, PRESS FIT	B
A	SIGNAL CONTACT, PRESS FIT	A
RP	POWER CONTACT, MFBL	-
RS	POWER CONTACT, STD	-

DIMENSIONS: INCHES:		TOLERANCES UNLESS OTHERWISE SPECIFIED: 0 PLC ± 1 PLC ±.01 2 PLC ±.01 3 PLC ±.005 4 PLC ±.0020 ANGLES ±.020		DWG: R. GRZYBOWSKI 27SEPT05 ENW: M. PERCHERKE 27SEPT05 APVD: M. PERCHERKE PRODUCT SPEC: - APPLICATION SPEC: - WEIGHT: - CUSTOMER DRAWING: -		Tyco Electronics Harrisburg, PA 17105-3608 NAME: RIGHT ANGLE RECEPTACLE ASSEMBLY A/C PASS THRU W/GUIDES MULTI-BEAM XL SIZE: A1 CAGE CODE: 00779 DRAWING NO: C=1888132-1 RESTRICTED TO: - SCALE: 4:1 SHEET: 2 OF 2 REV: 3	
------------------------	--	--	--	---	--	---	--