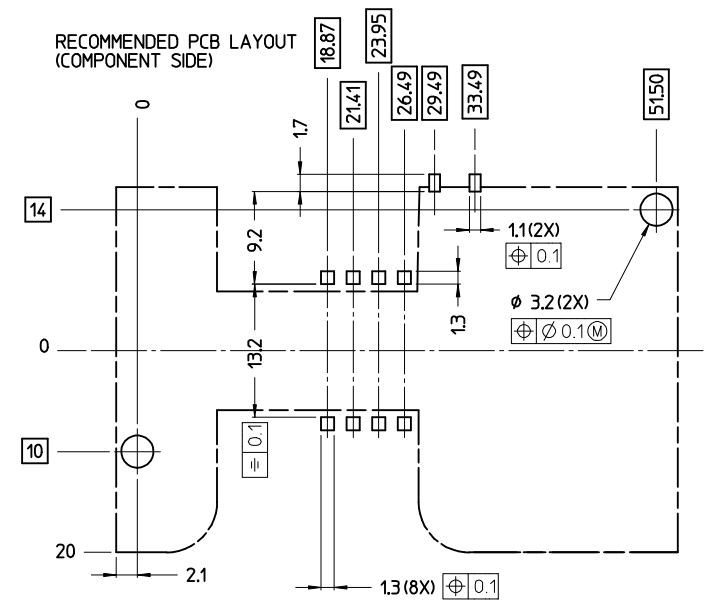


RECOMMENDED PCB LAYOUT (COMPONENT SIDE)



MATERIALS:
 HOUSING - LCP GLASS FILLED BLACK COLOR
 TERMINALS - PhBz CuSn8 (C521) 0.15mm THICK
 PLATING:
 CONTACT AREA - 1.27um Au MIN OVER 2-4.5um Ni
 SOLDERING AREA - 3.8um Sn MIN OVER 2-4.5um Ni
 PACKAGING: TRAYS IN BOX (SEE DRW PK-94304-010)

NOTES:
 - REFLOW SOLDERING PROFILE ACCORDING TO CECC0802
 - COPLANARITY OF METAL SOLDERING SURFACES 0.15mm
 - THE GUIDE IS COMPATIBLE WITH ISO/IEC 7816-2 (identification cards - Integrated circuit(s) cards with contacts)
 - OTHER PRODUCT CHARACTERISTICS ACCORDING TO PS-94304-010

STD. DESCR. : "SMART CARD CONN SMT 8 CKT W/SW N.O."

EC NO: Z2009-0136 DRWNG:GZUIN 2009/05/25 CHKD:L.SANTUSSO 2009/06/04 APPR:FBISELLO 2009/06/09	QUALITY SYMBOLS ▽=0 ◻=0	GENERAL TOLERANCES (UNLESS SPECIFIED)		DIMENSION STYLE MM ONLY	SCALE 2:1	DESIGN UNITS METRIC	FIRST ANGLE PROJECTION		
		mm	INCH	DRAWN BY GZUIN	DATE 2005/05/13	TITLE SMART CARD CONNECTOR 8 CKT W/SWITCH N.O.			
A1	REV	4 PLACES	± ---	± ---	CHECKED BY RSANDANO	DATE 2005/05/13	MATERIAL NO. 94304-0108	DOCUMENT NO. SD-94304-010	SHEET NO. 1 OF 1
		3 PLACES	± ---	± ---	APPROVED BY FBISELLO	DATE 2005/05/13			
		2 PLACES	± 0.05	± ---	MOLEX INCORPORATED				
		1 PLACE	± 0.15	± ---	THIS DRAWING CONTAINS INFORMATION THAT IS PROPRIETARY TO MOLEX INCORPORATED AND SHOULD NOT BE USED WITHOUT WRITTEN PERMISSION				
		ANGULAR ± 2 °		DRAFT WHERE APPLICABLE MUST REMAIN WITHIN DIMENSIONS					