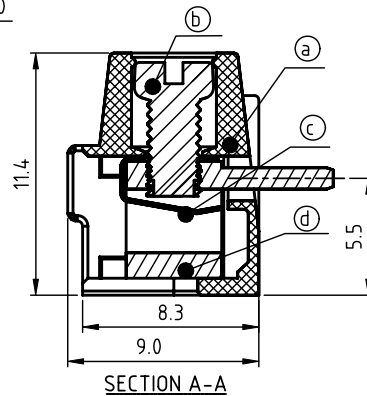
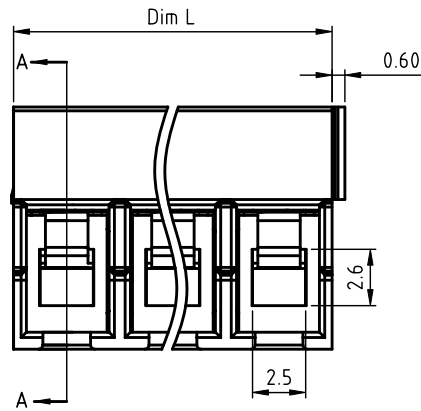
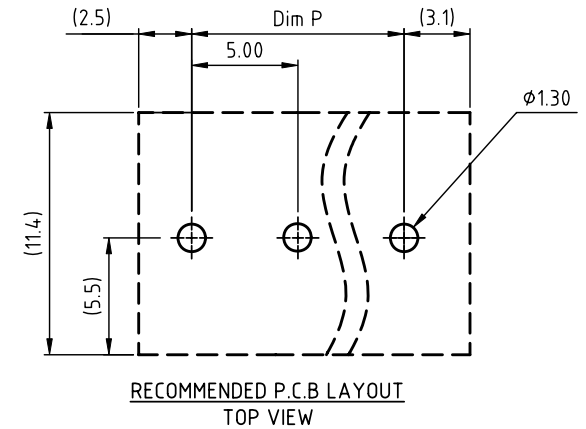
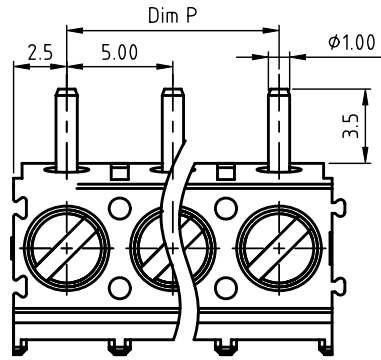


PRODUCT NUMBER	PITCH
KYxx01x100J0G	5.00 mm



Materials

- Item ① Terminal housing: Thermoplastic (UL 94V-0)
- Item ② Terminal screw: Steel Zinc plating ("-" slot type)
- Item ③ Wire guard: Stainless steel
- Item ④ Terminal body: Brass (CuZn), Tin Plated

Electrical	cULus	CQC
● Voltage rating: 300VAC		250VAC
● Current rating: 15A		24A
● Wire range:		
● Solid wire: 12-24 AWG		0.2-2.5mm ²
● Stranded wire: 12-24 AWG		0.2-2.5mm ²
● Torque: 3.0 Lb-In		0.4 N.m
● Screw: M2.6		
● Wire strip length: 5-6mm		
● Withstanding Voltage: 1.6KV		2KV
● Operating temperature: -40°C to +115°C		
● Soldering temperature: 260°C±5°C/5 Sec		
● Safety Approval:	ULus	CQC

N = Number of poles
Dim L = Nx5.0
Dim P = (N-1)x5.0

Poles	Dim.	Dim L	Dim P
2-6p		±0.15	±0.10
7-12p		±0.20	±0.20
13-18p		±0.30	±0.25
19-24p		±0.40	±0.30

PART NO.: KY xx 01 x 1 00J0 G

	End stackable	Body Color	RoHS compliant
No. of poles	0	Black (RAL9005)	(lead<4%)
02 2 poles	2	Red (RAL3001/D)	In copper Alloy
03 3 poles	3	Orange(RAL2011/P)	
...	...	Yellow(RAL1018/A)	
24 24 poles	5	Green(RAL6018/T)	
	6	Blue (RAL5015/A)	
	8	Grey(RAL7035/D)	
	9	White(RAL1102)	
	C	Green(RAL6018/U)	

mat'l. code		surface	tolerance	projection	product family	
		ASME Y14.5	ASME Y14.5		TERMINAL BLOCK	
ltr ecn no dr date		tolerances unless otherwise specified		MM	title	
		angles	X.±0.5		TERMINAL BLOCK	
		fil	X.X±0.3		WIRE PROTECTOR, SQUARE HOLE, 90D WIRE INLET	
		X*±1*	X.XX±0.1	scale	dwg no	
		dr	EVIN ZHONG 040214		sheet 1 of 1 size	
		enr	EVIN ZHONG 040214		KYxx01x100J0G	A4
		chr	HANKE FENG 040214		type	CUSTOMER Drawing
		appd	SHI JUN 040214			
sheet index	revision sheet	A	1			