



FCIconnect.com

Copyright FCI

1

2 3

4

5

6

A

A

B

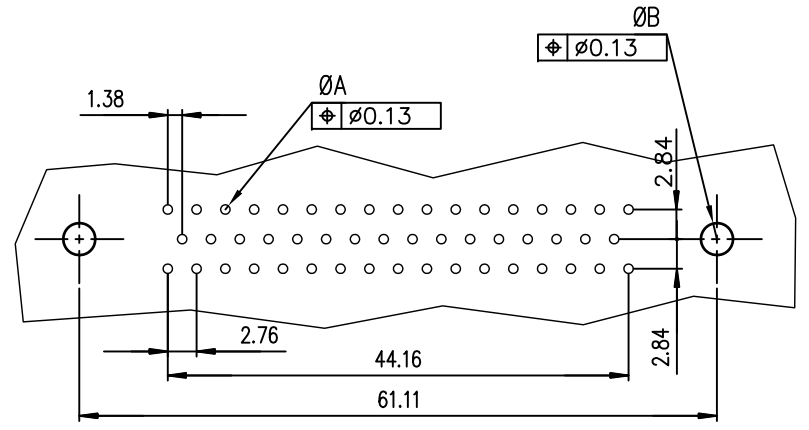
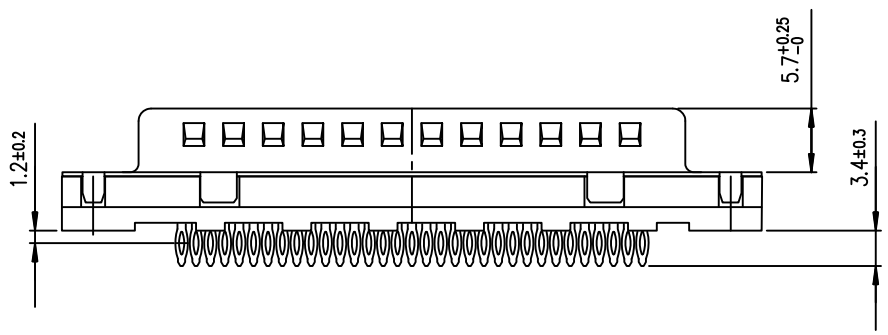
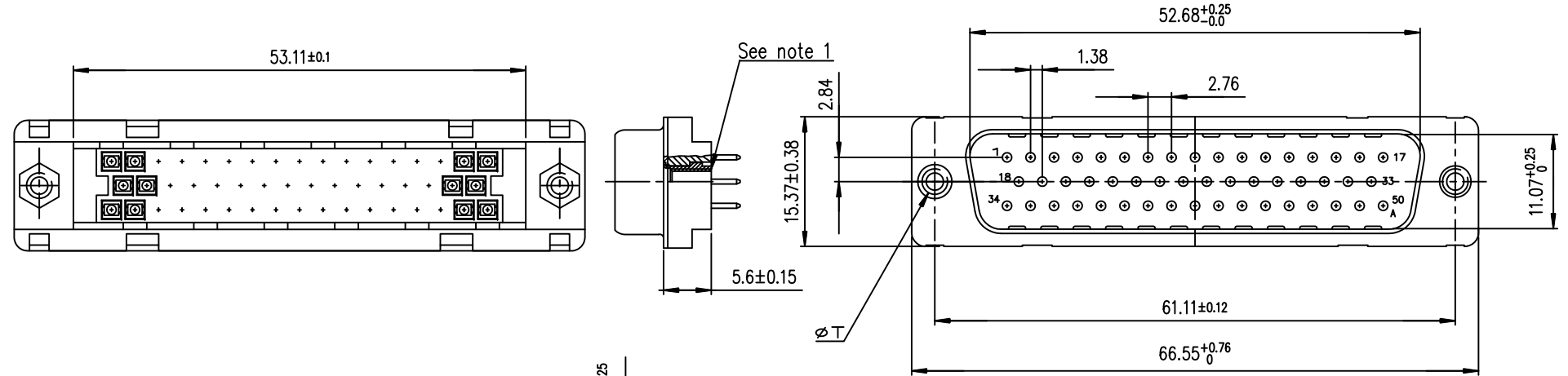
B

C

C

D

D



PC board drilling dimensions
(after plating – thickness: 1.60 to 3.20 mm)

LEAD FREE PART NUMBER

PART NUMBER	
200 Mating	D50P90C4P*00LF
500 Mating	D50P90C6P*00LF

Threaded ØT M3 = L
Threaded ØT 4.40 = X

GENERAL CHARACTERISTICS AND ROHS INFORMATIONS:
SEE DRAWING C01-8646-0001

Notes:

1) The nut can protrude above the surface of insulator but maintaining the footprint dimension 5.60±0.15 mm.

mat'l. code	surface	tolerance	projection	product family
-	ISO 1302 ✓	ISO 406 ISO 1101		D-SUB
ltr	ecn no	dr	date	title
F	ELX-I-21256	AB	2015/07/14	MALE CONNECTOR DELTA-D LOW PROFILE STRAIGHT - PRESS FIT
	angles	linear	tolerances unless otherwise specified	MM
	0°±2'	.0±0.1 .00±0.1 .000±0.1	scale 2:1	
	dr	PESSON	1996/07/24	dwg no
	enr	ALIAS BABU	2015/07/14	sheet 1 of 1
	chr	MITHUN PAUL	2015/07/14	size
	app	BIJU K PAUL	2015/07/14	A3
sheet index	revision	F		type
	sheet	1		Product Customer Drawing

