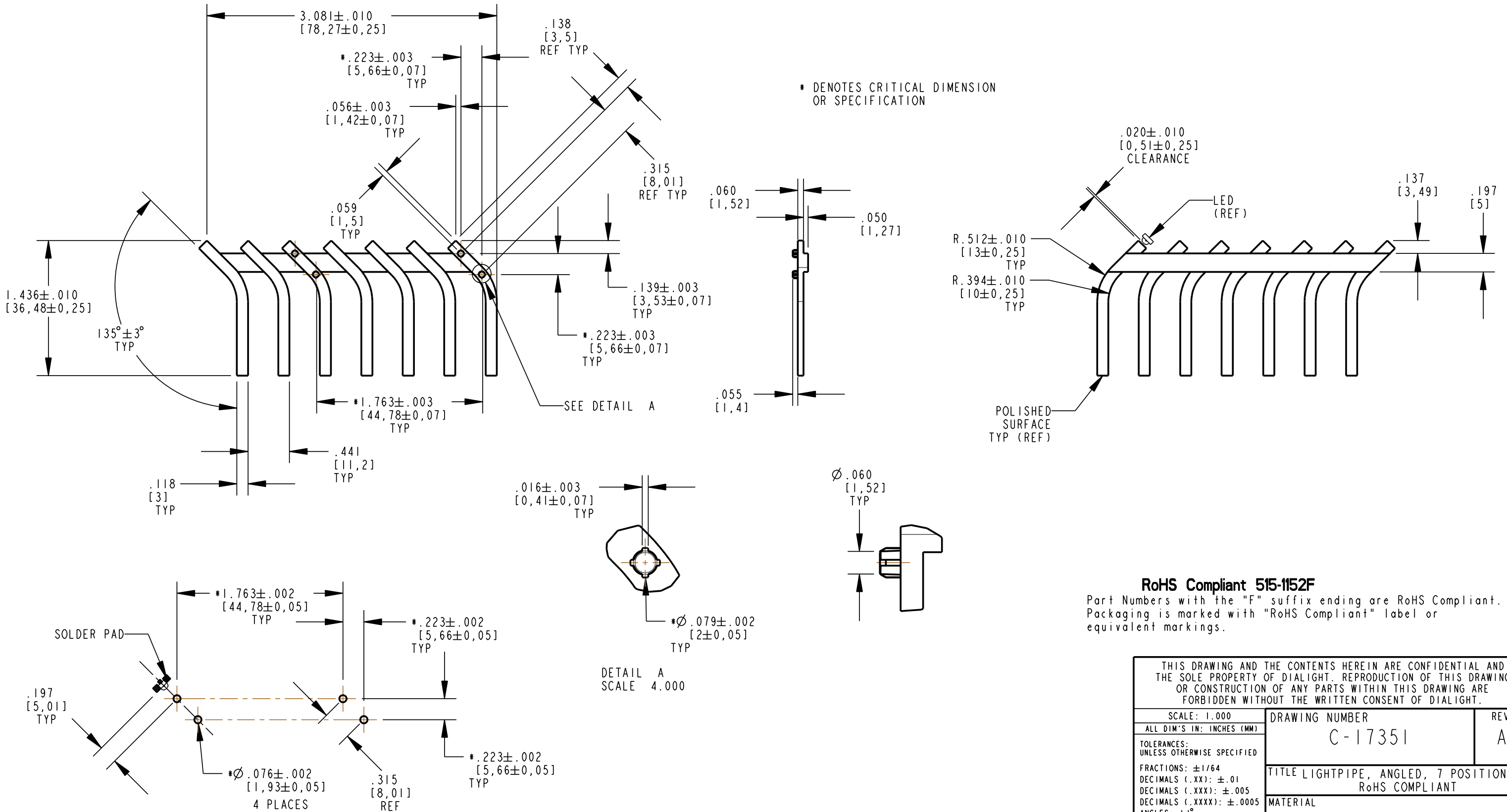


REV	ECN NO	REVISIONS	DRN	CKD	APP	DATE
A		NEW RELEASE	TWC			

- NOTES:
1. COMPONENT MOLDED IN A CLEAR TRANSMISSIVE POLYCARBONATE, UL 94V-0 GRADE.
 2. COMPONENT DESIGNED TO BE PRESSED INTO P.C. BOARD.
 3. DIALIGHT LIGHTPIPE PART NUMBER: 515-1152F
 4. RECOMMENDED LIGHT SOURCE: RT. ANGLE 1208 PKG (.120 X .080 X .040" HIGH)
 5. 597-2751-602F FOR 20 PC SAMPLE STRIP, -607F FOR FULL REEL R/G BI-COLOR
597-2712-602F FOR 20 PC SAMPLE STRIP, -607F FOR FULL REEL R/G/B TRI-COLOR
 6. ALL SURFACES ARE POLISHED WITH EXCEPTION OF PRESS FIT PINS.



* DENOTES CRITICAL DIMENSION OR SPECIFICATION

SEE DETAIL A


POLISHED SURFACE TYP (REF)

RoHS Compliant 515-1152F

Part Numbers with the "F" suffix ending are RoHS Compliant. Packaging is marked with "RoHS Compliant" label or equivalent markings.

RECOMMENDED HOLE PATTERN LAYOUT

DETAIL A
SCALE 4.000

THIS DRAWING AND THE CONTENTS HEREIN ARE CONFIDENTIAL AND THE SOLE PROPERTY OF DIALIGHT. REPRODUCTION OF THIS DRAWING OR CONSTRUCTION OF ANY PARTS WITHIN THIS DRAWING ARE FORBIDDEN WITHOUT THE WRITTEN CONSENT OF DIALIGHT.		
SCALE: 1.000 ALL DIM'S IN: INCHES (MM)	DRAWING NUMBER C-17351	REV A
TOLERANCES: UNLESS OTHERWISE SPECIFIED FRACTIONS: ±1/64 DECIMALS (.XX): ±.01 DECIMALS (.XXX): ±.005 DECIMALS (.XXXX): ±.0005 ANGLES: ±1°	TITLE LIGHTPIPE, ANGLED, 7 POSITION, RoHS COMPLIANT	
FINISH:	MATERIAL	
FSCM 83330	 1501 ROUTE 34 SOUTH FARMINGDALE, NJ 07727	
SHEET 1 OF 1 FAMILY TABLE:		