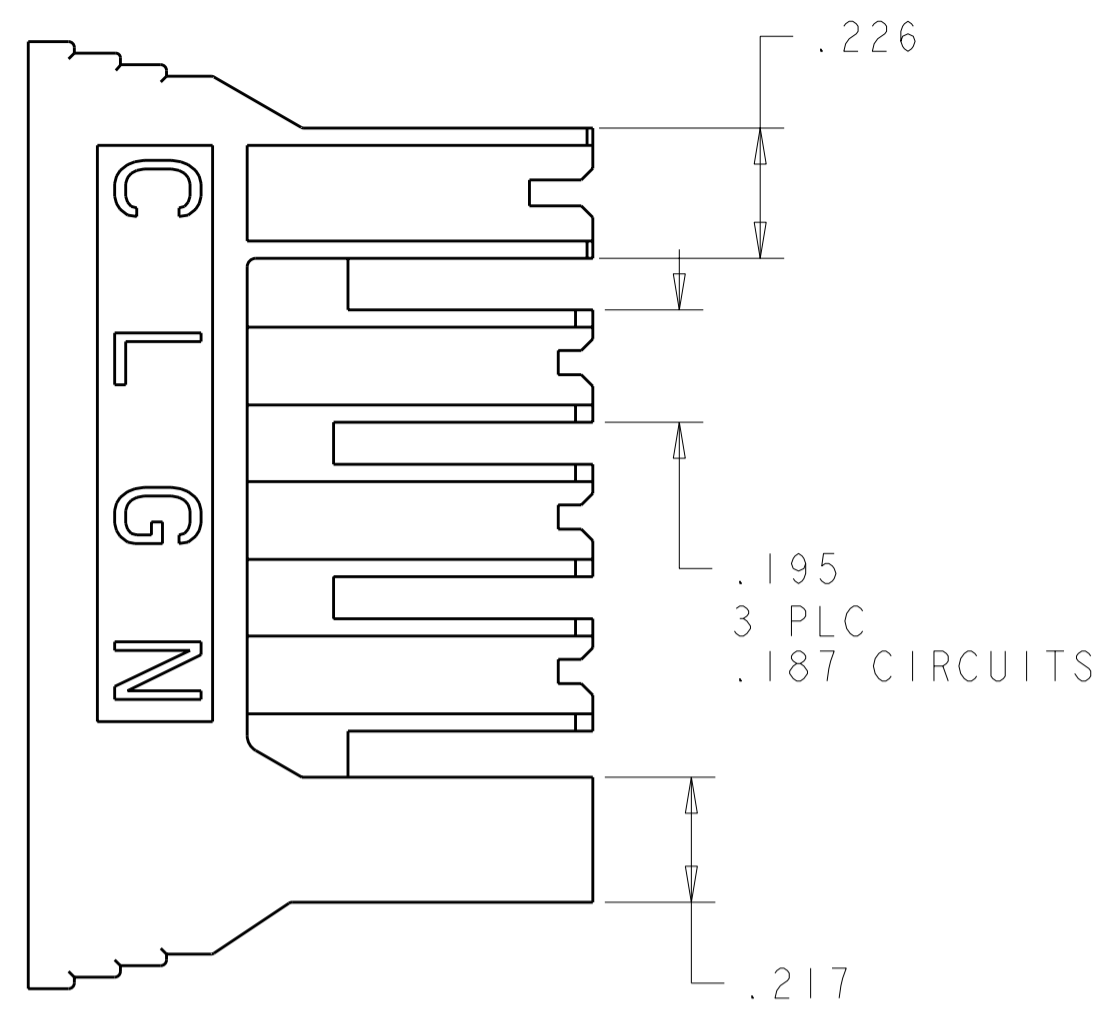
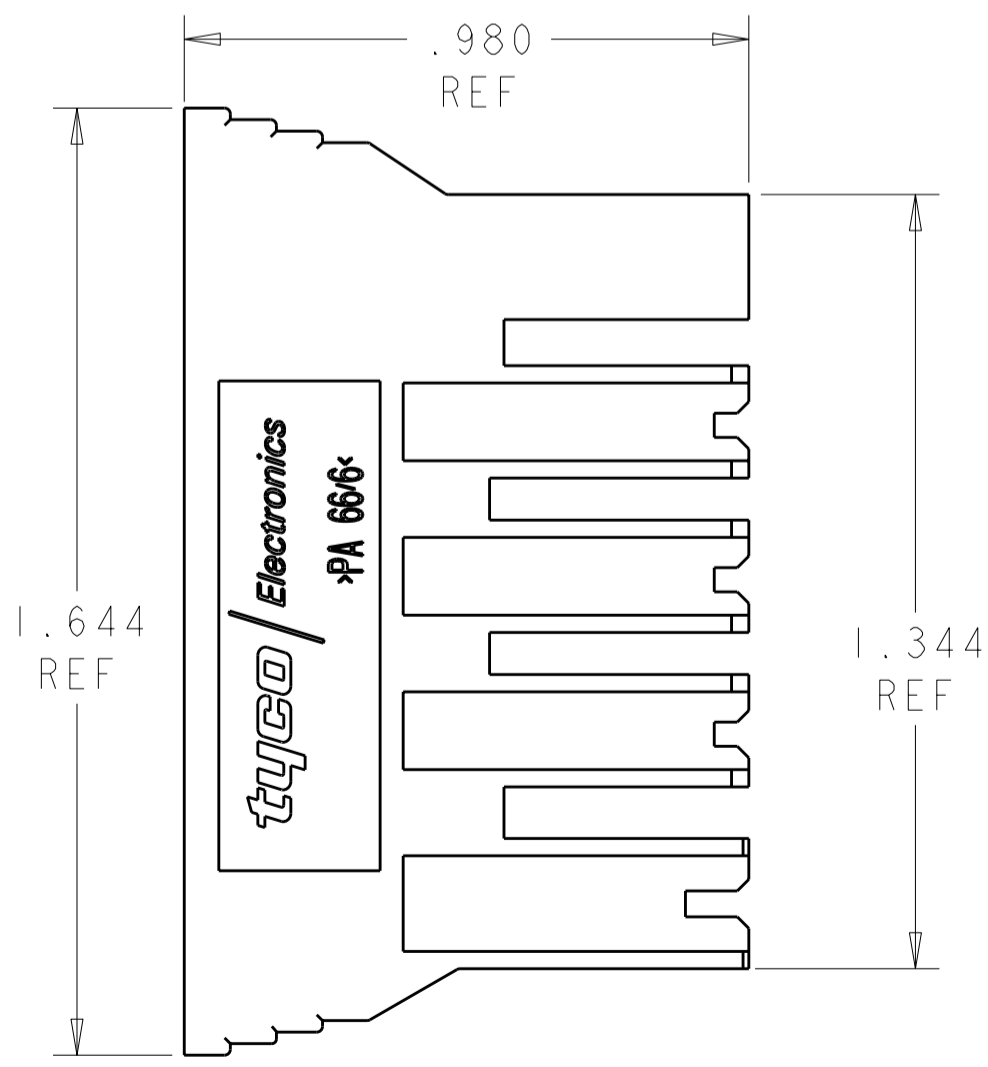
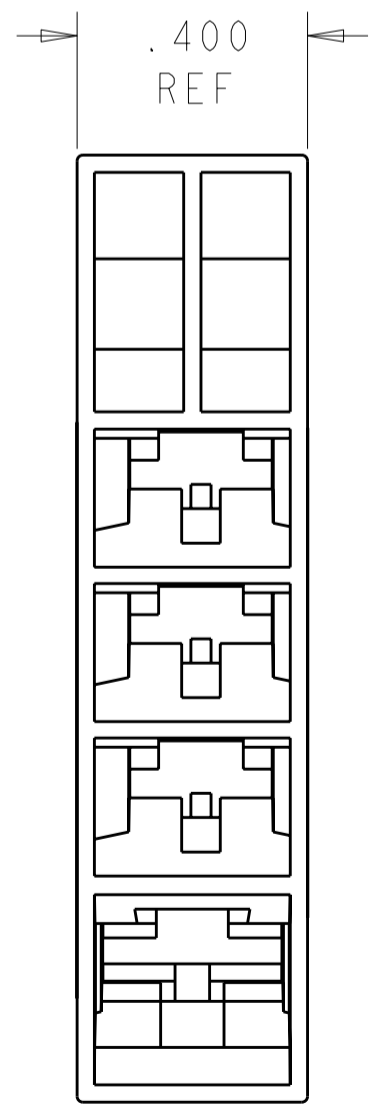
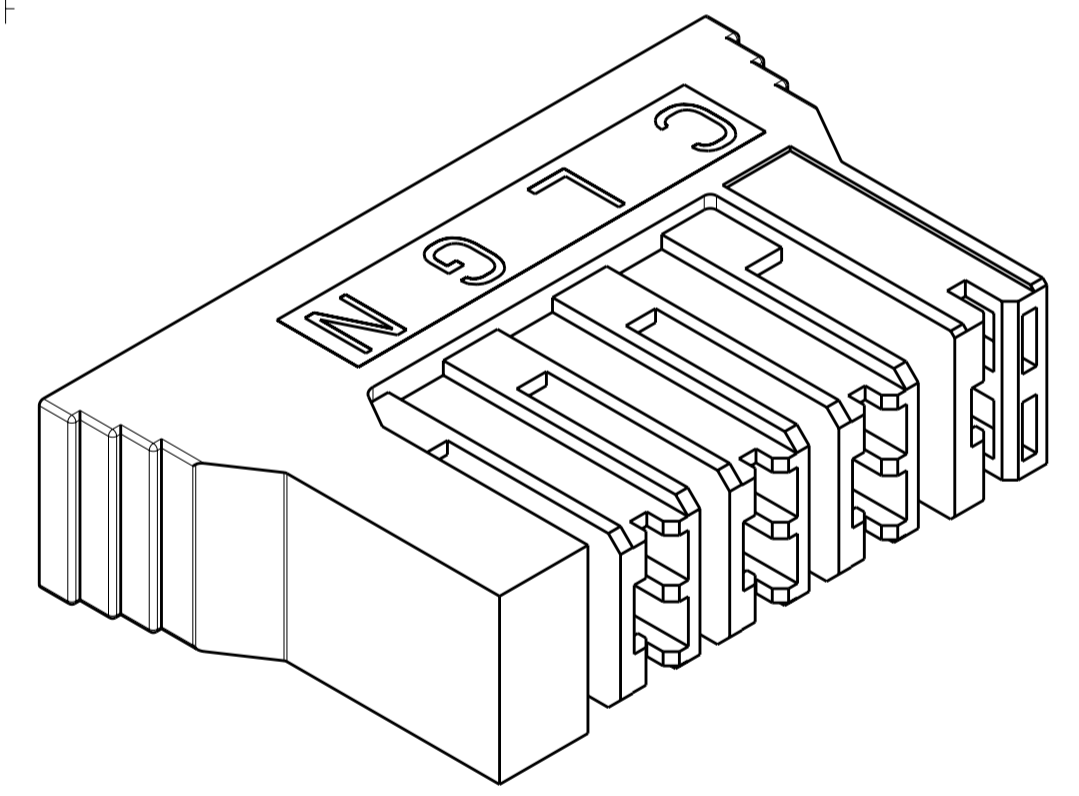
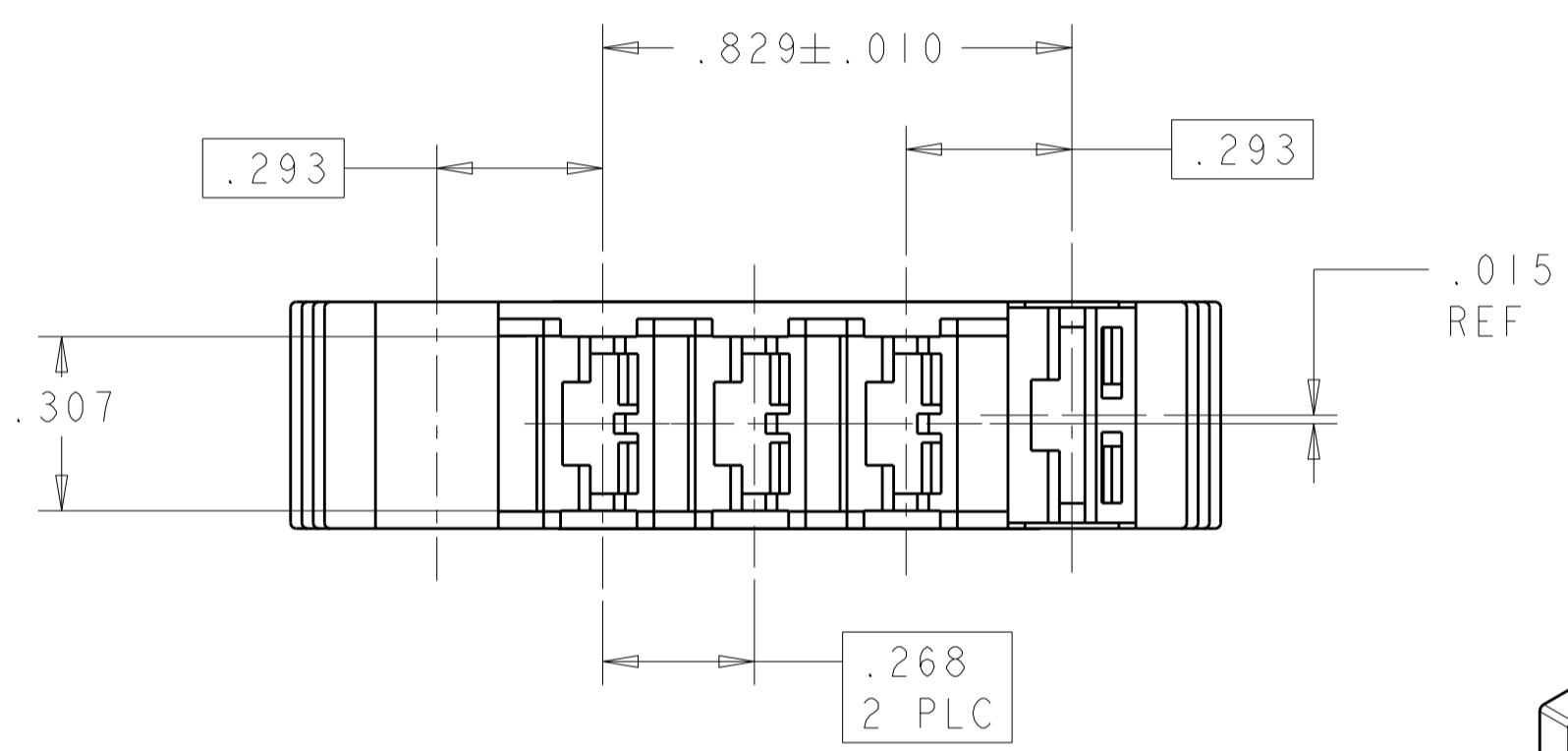


THIS DRAWING IS UNPUBLISHED. RELEASED FOR PUBLICATION 20  
 © COPYRIGHT 20 BY TYCO ELECTRONICS CORPORATION. ALL RIGHTS RESERVED.

LOC	DIST	REVISIONS			
P	LTR	DESCRIPTION	DATE	DWN	APVD
AF	50	CI	REL PER ECR 05-018644	23DEC05	JR EH
		D	REVISED PER ECR-06-003481	28FEB2006	MF EH
		DI	REVISED PER ECR-06-007577	03APR2006	MF EH
		E	REVISED PER ECR-07-018671	08AUG2007	HMR EH



1. CIRCUIT "C" ACCEPTS:  
 .250 MKIII POSITIVE LOCK RECEPTACLES 63933-X, 63854-X, & 1217092-X  
 CIRCUITS L, G, & N ACCEPTS:  
 .187 MKIII POSITIVE LOCK RECEPTACLES 1217113-X, & 1217114-X



NATURAL	NYLON 66/6, V0	521781-1
COLOR	MATERIAL	PART NUMBER

THIS DRAWING IS A CONTROLLED DOCUMENT FOR TYCO ELECTRONICS CORPORATION. IT IS SUBJECT TO CHANGE AND THE CONTROLLING ENGINEERING ORGANIZATION SHOULD BE CONTACTED FOR THE LATEST REVISION.		DWN R FLAIG 19 JAN 2005	Tyco Electronics Harrisburg, PA 17105-3608	
DIMENSIONS: INCHES		CHK G PORTA 19 JAN 2005	NAME HOUSING, RECEPTACLE POSITIVE LOCK, 4 POSITION	
TOLERANCES UNLESS OTHERWISE SPECIFIED: 0 PLC ± 1 PLC ± 2 PLC ± 3 PLC ±.010 4 PLC ± ANGLES ±2° FINISH		APVD G PORTA 19 JAN 2005	RESTRICTED TO	
MATERIAL SEE TABLE		PRODUCT SPEC -	SIZE A200779	DRAWING NO C-521781
SEE TABLE		APPLICATION SPEC -	SCALE	SHEET OF REV E
CUSTOMER DRAWING		WEIGHT -		