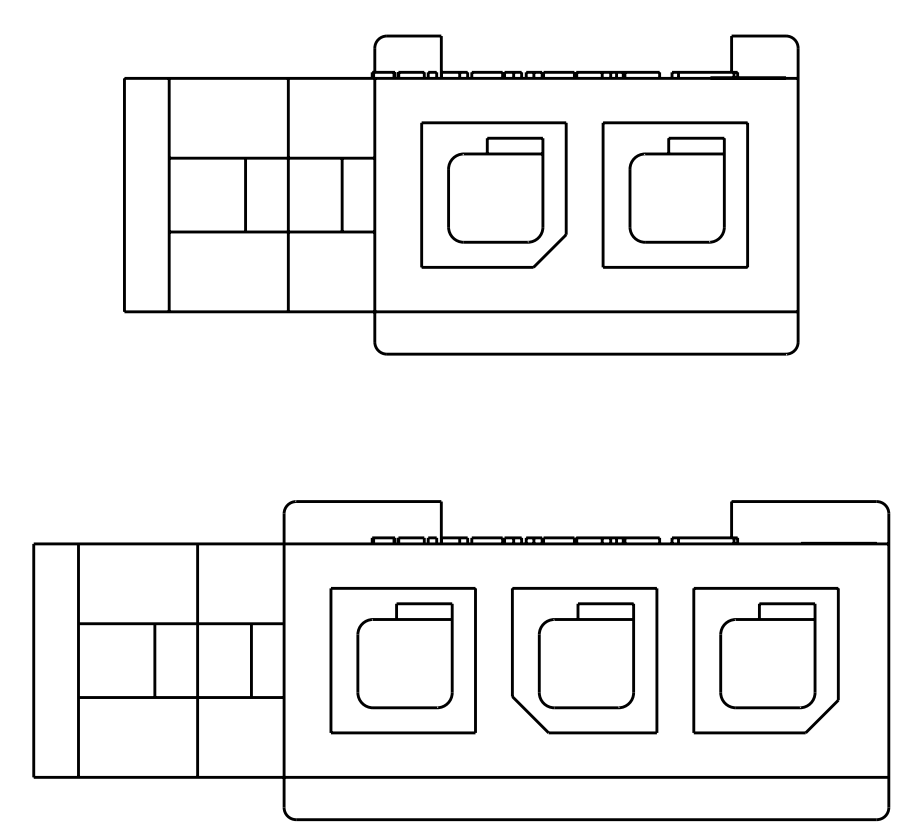
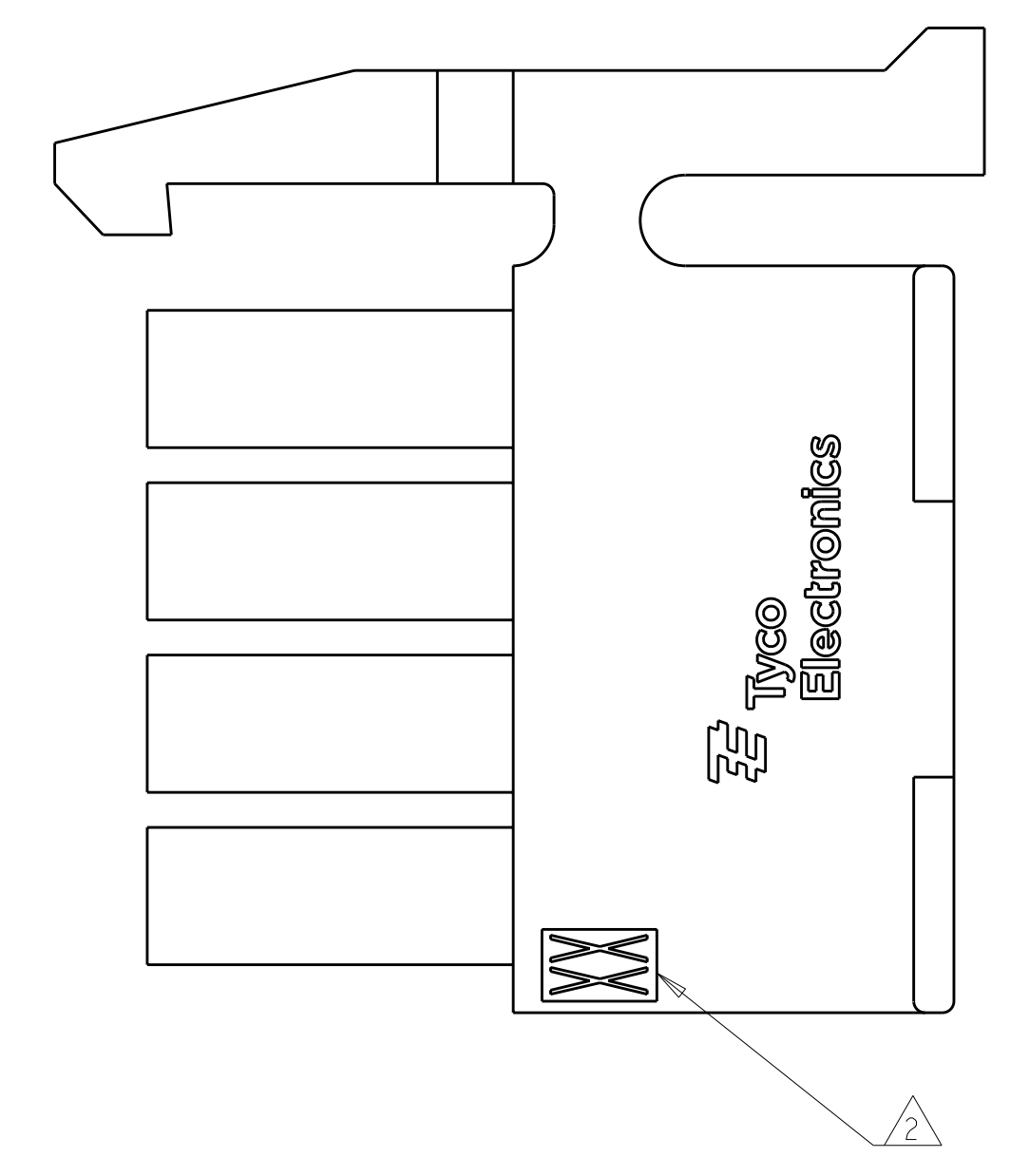


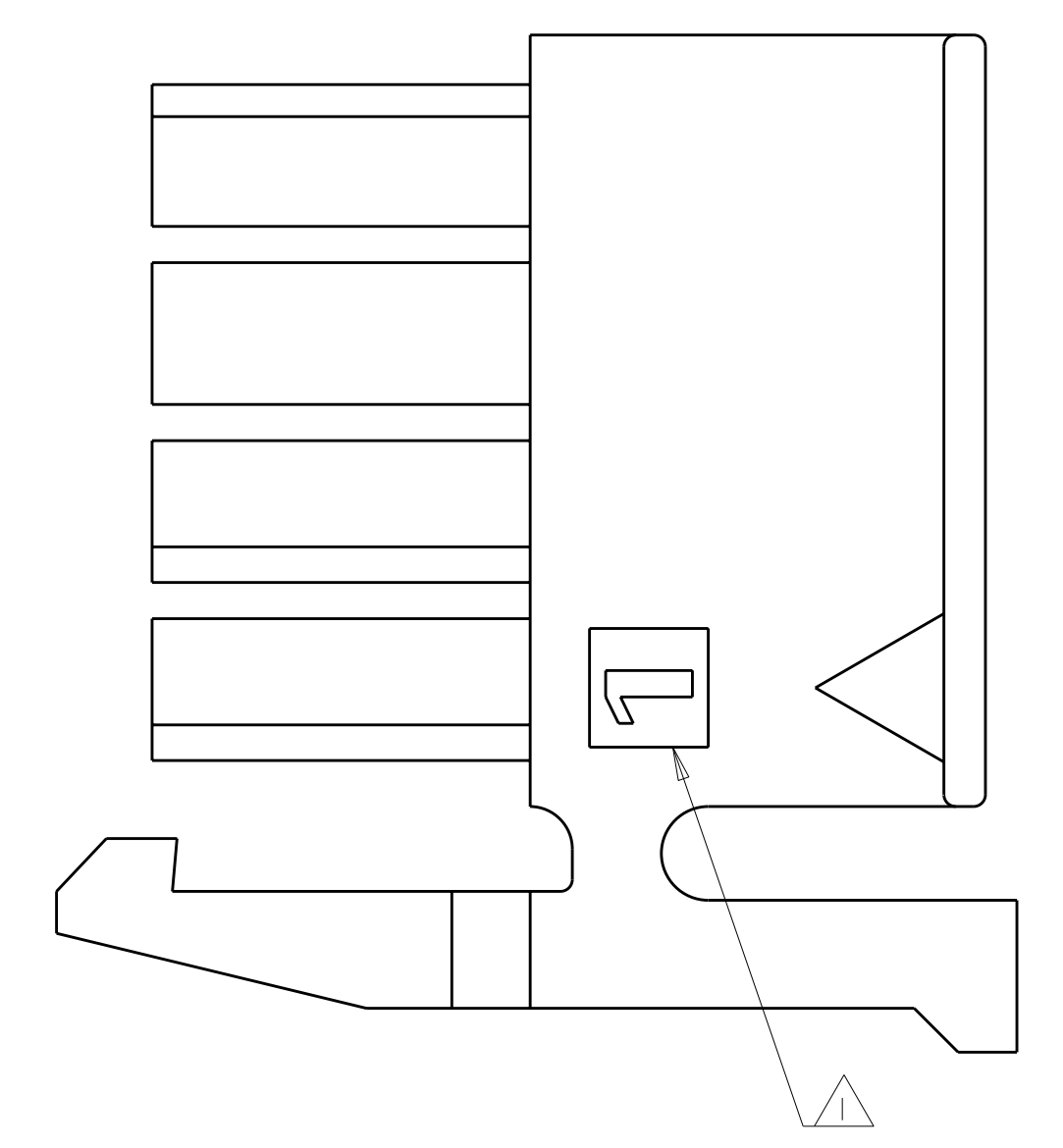
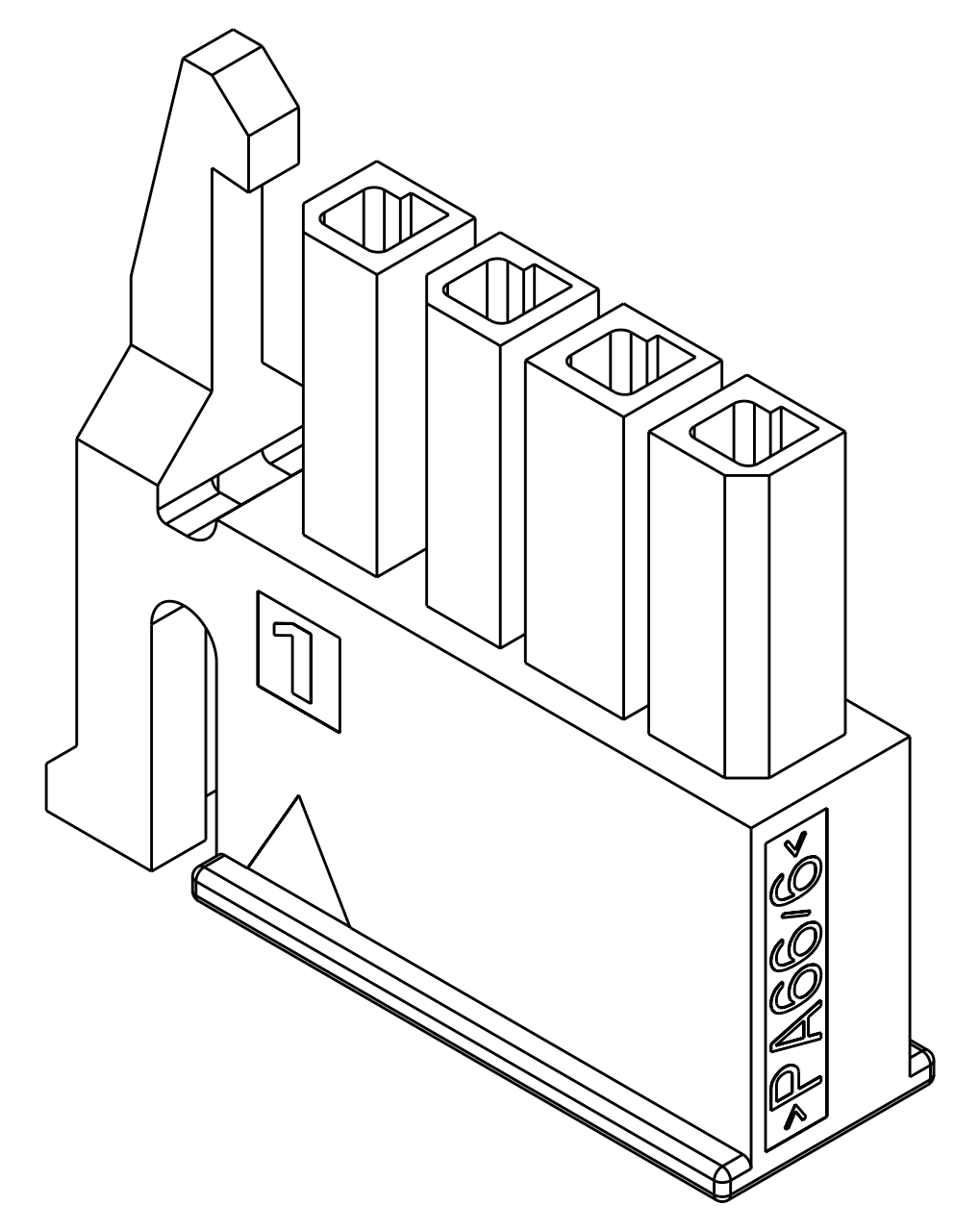
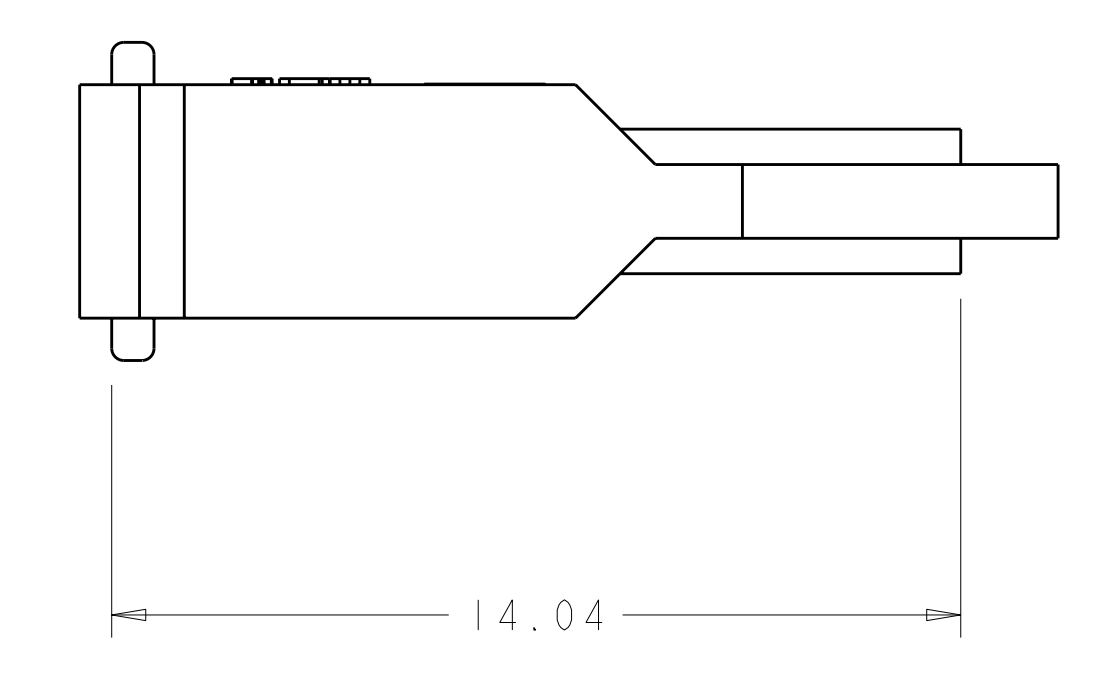
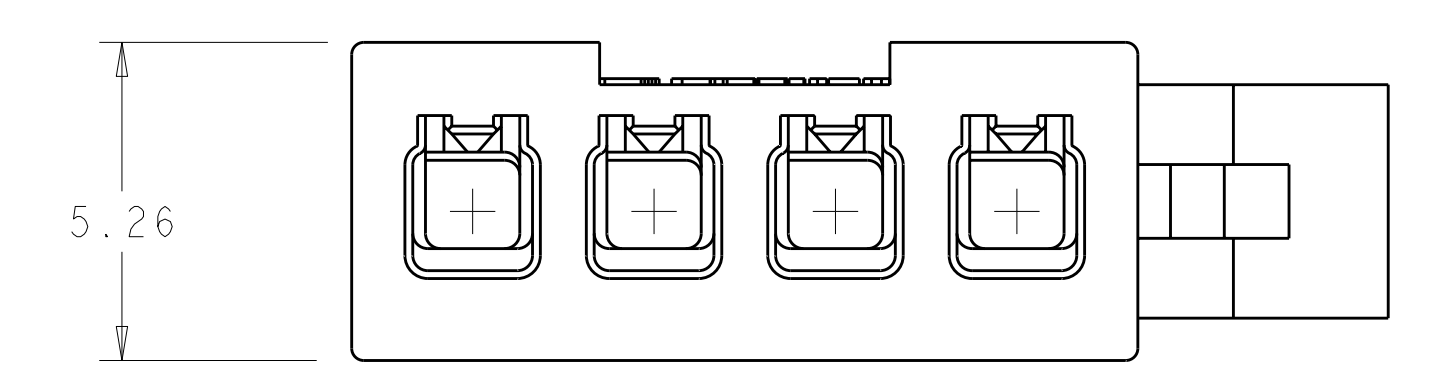
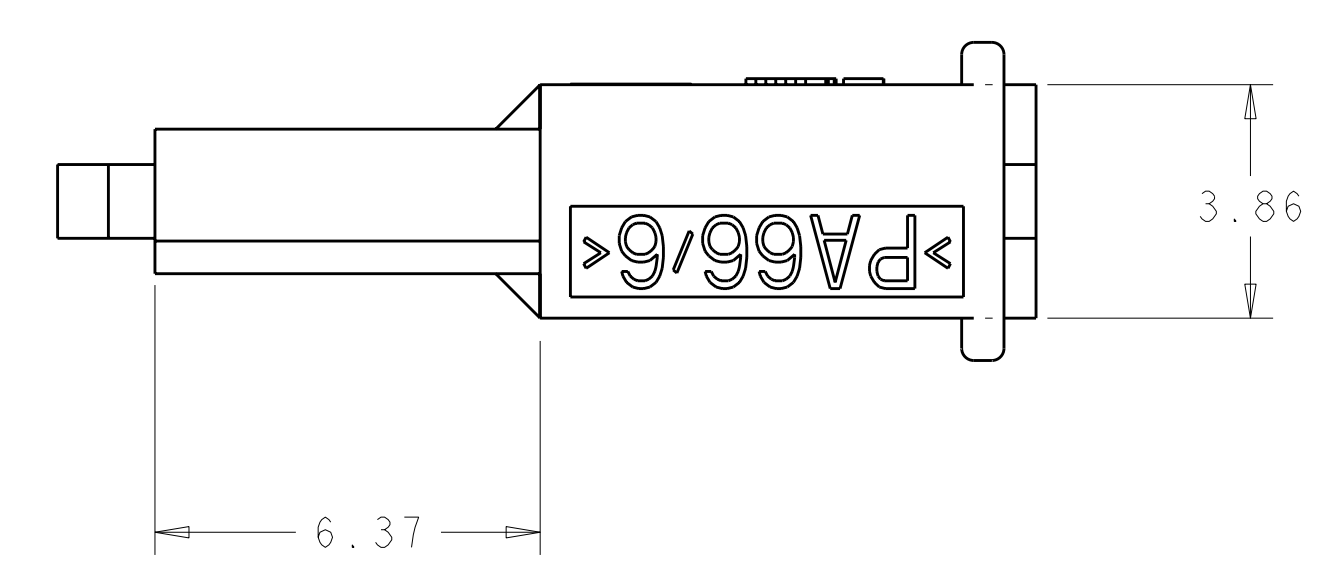
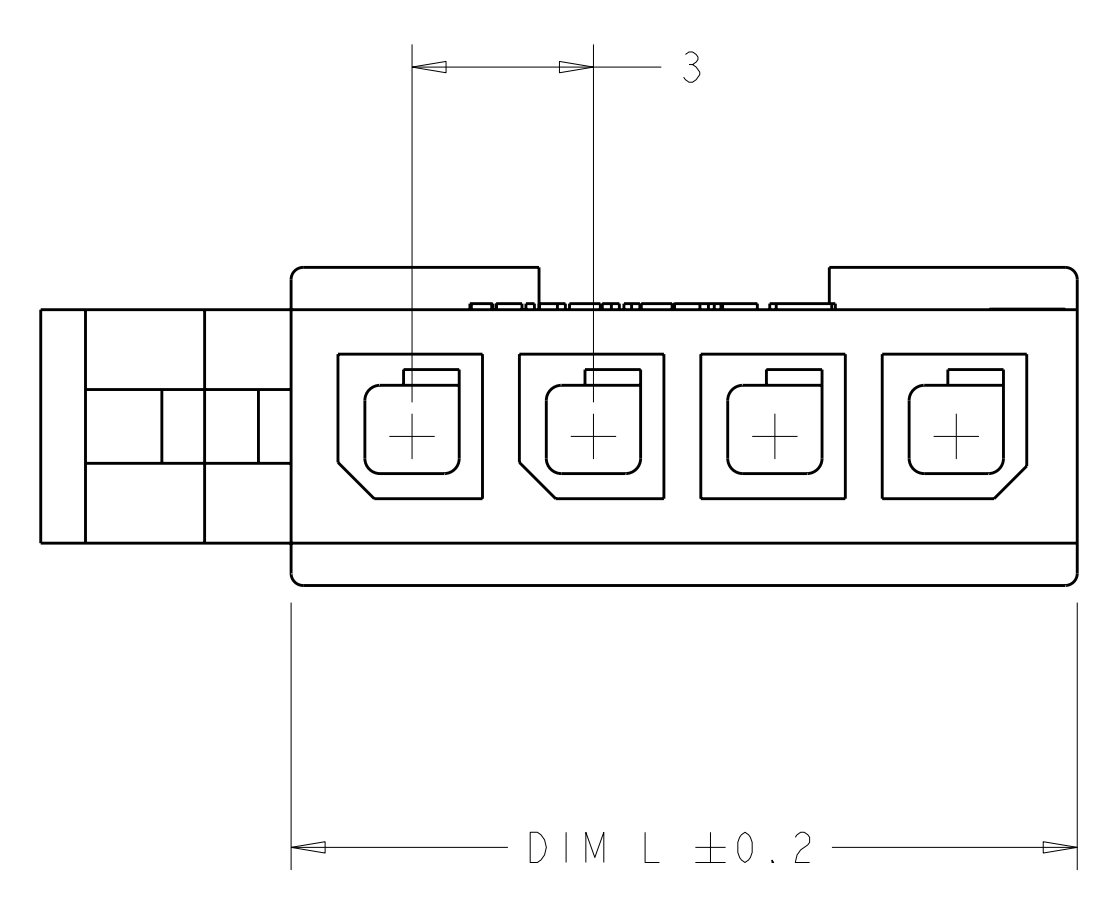
LOC	DIST	REVISIONS			
CM	00	REV	DATE	BY	APPV
		A2	17MAR2011	RK	HMR



KEYING BY POSITION SIZE



① CIRCUIT 1 IDENTIFIER, LOCATED APPROXIMATELY AS SHOWN.  
 ② LAST CIRCUIT IDENTIFIER, LOCATED APPROXIMATELY AS SHOWN.



VOLUME mm <sup>3</sup>	DIM L	NO OF POS.	PART NO.
434.05	13	4	2029102-4
353.32	10	3	2029102-3
272.6	7	2	2029102-2



THIS DRAWING IS A CONTROLLED DOCUMENT.

DIMENSIONS:	TOLERANCES UNLESS OTHERWISE SPECIFIED:	DWN R. WHITAKER 26MAR2008	NAME
mm	0 PLC ±	CHK C. JONES 26MAR2008	RECEPTACLE HOUSING, SPECIAL, SINGLE ROW, MICRO MATE-L-LOK(TM)
	1 PLC ±	APVD C. JONES 26MAR2008	SIZE CAGE CODE DRAWING NO RESTRICTED TO
	2 PLC ±0.13		A100779C=2029102
	3 PLC ±		CUSTOMER DRAWING
	4 PLC ±		SCALE 8:1 SHEET 1 OF 1 REV A2
	ANGLES ±1°		
MATERIAL NYLON UL94V-0 NATURAL	FINISH		