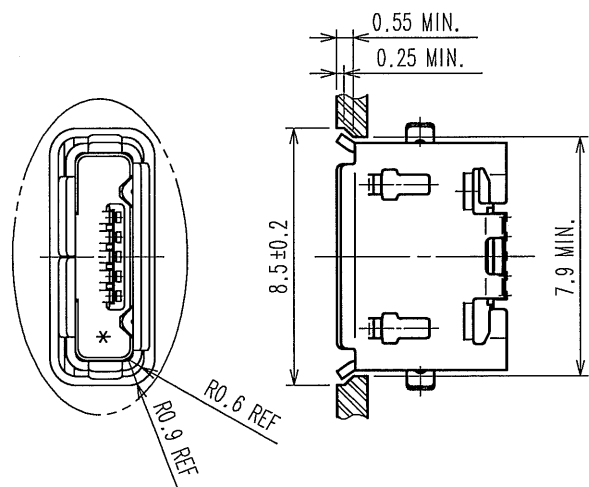
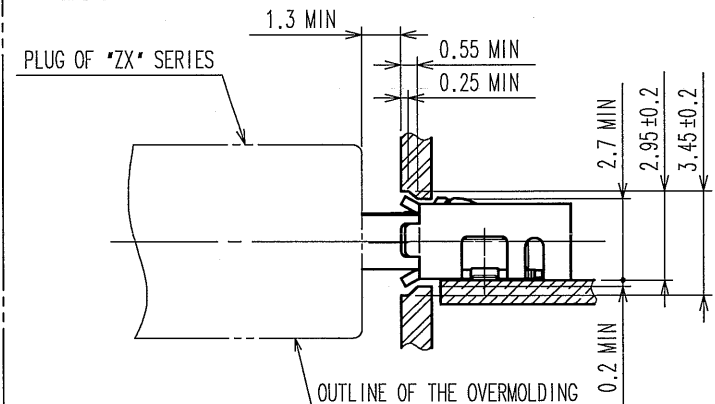


COUNT	DESCRIPTION OF REVISIONS	BY	CHKD	DATE	COUNT	DESCRIPTION OF REVISIONS	BY	CHKD	DATE
18	REVISED DIMENSIONS,EMBOSS SIZE,PER REEL,etc	T.M	N.M	07.02.23					

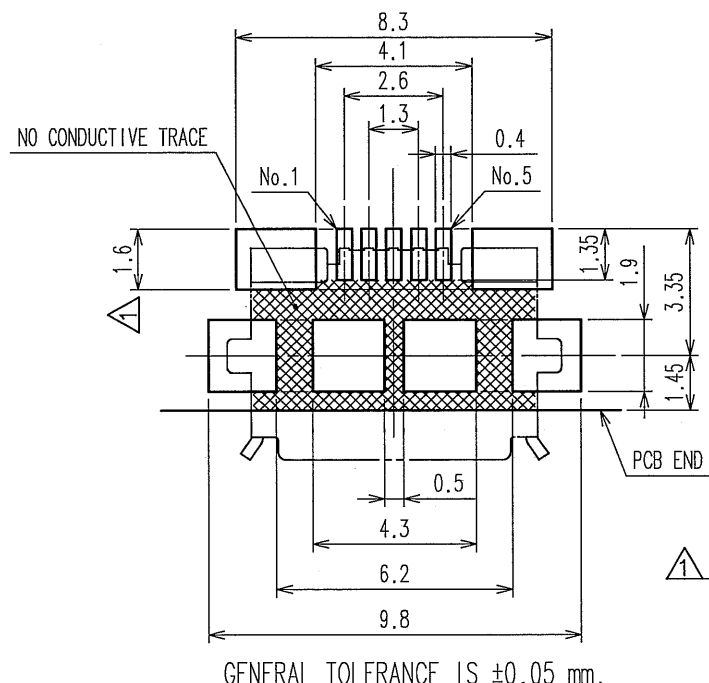
△ RECOMMENDED PANEL CUTOUT (4:1)



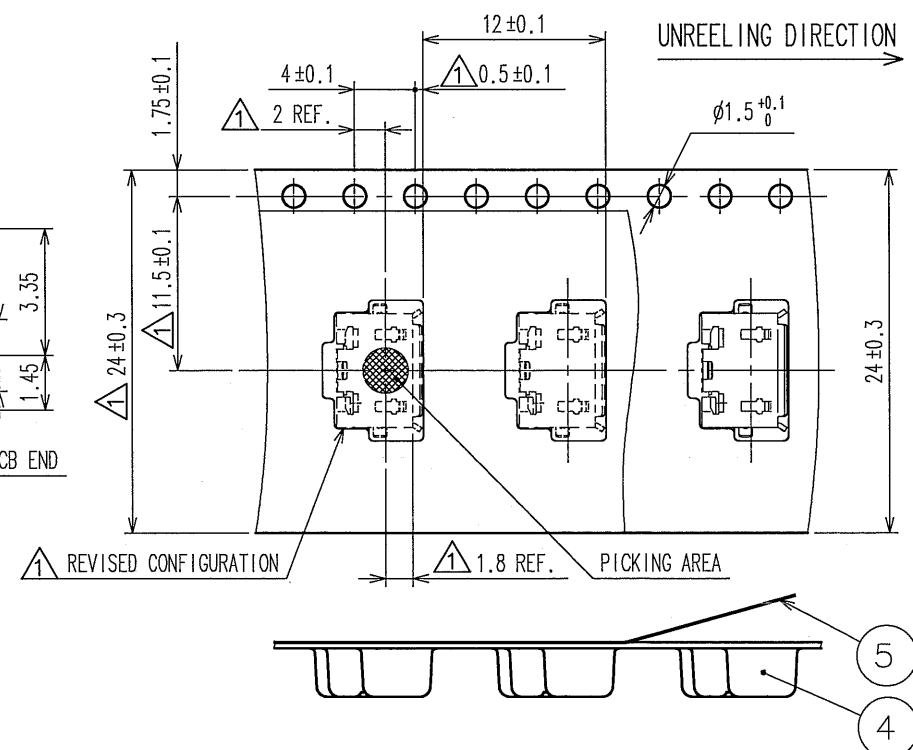
△ MATED WITH CORRESPONDING PLUG (4:1)



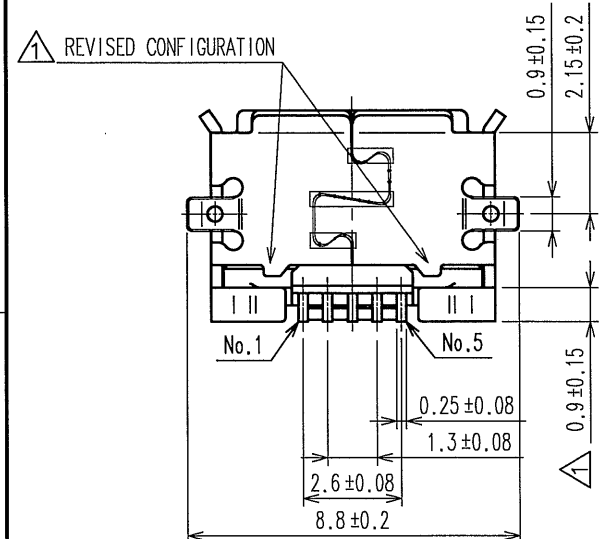
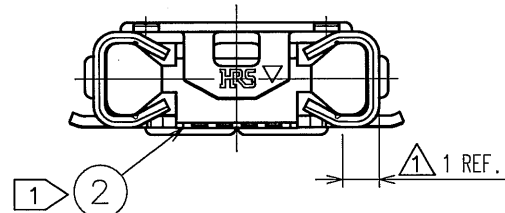
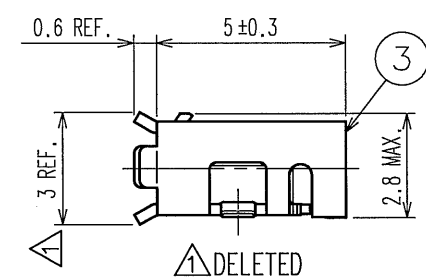
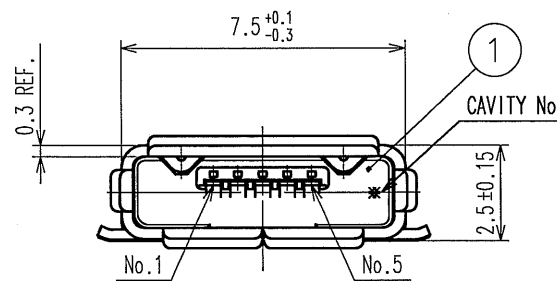
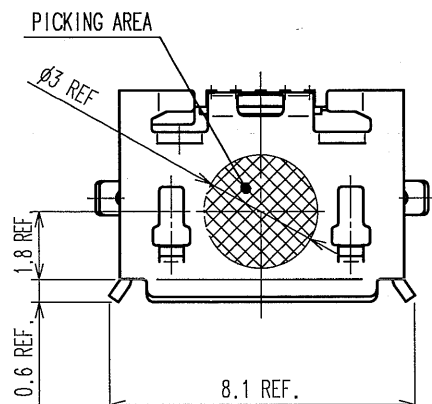
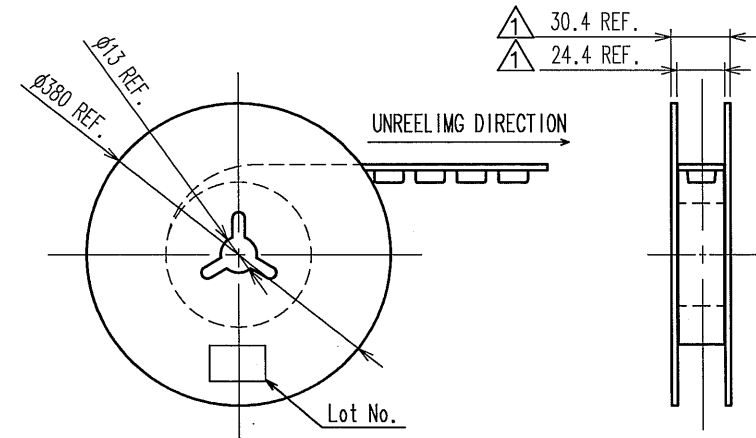
PCB LAYOUT



3 > UNDRAWING FOR PACKING (2:1)



REEL (FREE)



- NOTES
- 1 > CO-PLANARITY IS WITHIN 0.08 mm.
 - 2 > PLATING
CONTACT AREA : GOLD 0.75μ m min.
LEAD AREA : GOLD 0.03μ m min.
UNDER PLATING: NICKEL 2μ m min.
 - 3 > PER REEL : 2000 pcs.
 - 4. INTERFACE DIMENSIONS CONFORM TO USB2.0 SPECIFICATION.

2	COPPER ALLLOY	2 >	5	PE	1	
1	LCP	BLACK,UL94V-0	4	PS		
NO.	MATERIAL	FINISH, REMARKS	NO.	MATERIAL	FINISH, REMARKS	
3	STAINLESS STEEL	TIN PLATING 1μ m min. LUBRICANT				
CODE NO.(OLD)		DRAWN	DESIGNED	CHECKED	APPROVED	RELEASED
DRAWING FOR REFERENCE		M.SHIMOYAMA	M.SHIMOYAMA	H.KOBAYASHI	A.SUZUKI	
This is subject to change without notice.		07.01.22	07.01.22	07.01.22	07.01.22	
DRAWING NO.		PART NO.				
TEDC3-123660-1		ZX62-AB-5P				
SCALE		CODE NO.				
5 : 1		CL242				
UNITS		mm				
HRS		HIROSE ELECTRIC CO., LTD				

TO