



Smart Technology. Delivered.

824-894 MHz/1850-1990 MHz Rotatable Shell Omni-Directional Antenna HCR8210M3



THE HCR ROTATABLE SHELL OMNIDIRECTIONAL ANTENNA – WHEN HIGH PERFORMANCE IS DESIRED & EXTREME RUGGEDNESS & LOW PROFILE IS REQUIRED.

The Laird Patent Pending HCR Rotatable Shell Omnidirectional Antenna is a tough low-profile antenna for outdoor or indoor applications. This antenna provides frequency agility, low visibility, wide bandwidth and a low angle radiation pattern that is superior to traditional gain antennas in most applications.

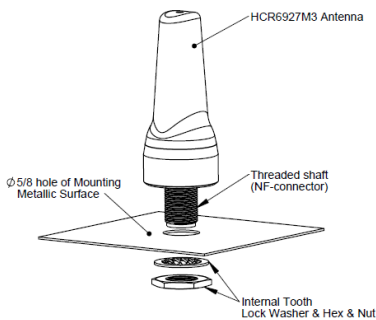
The HCR Rotatable Shell Omnidirectional Antenna is available in various industry standard mounting configurations including a threaded permanent stud mount model for vandal resistant mounting on brackets, panels, ceilings or any other kind of housing.

FEATURES AND BENEFITS

- Multi-band operation: 824-894 MHz / 1850-1990 MHz
- Meets IP67 protection rating for dust tight seal and temporary water immersion.
- Permanent mount provides vandal resistant protection for remote installations.
- Conformance to RoHS

MARKETS

- Security / Public Safety
- Commercial & Industrial - M2M
- Transportation
- Electric, Gas, & Water Utilities
- Retail, Consumer & Home
- Fixed Radio Applications



SPECIFICATIONS

	824-894	1850-1990
Frequency Bands, MHz	824-894	1850-1990
Peak Gain, dBi (Typ)	1.6	3.4
Peak Gain, dBi (Max)	1.7	3.5
VSWR (Typ)	<1.3:1	<1.5:1
VSWR (Max)	<2.0:1	<2.0:1
Nominal Impedance	50 Ω	
Polarization	Vertical (Linear)	
Azimuth Beam Width	360°, Omnidirectional	
Max Power (Ambient 25° C)	50 Watts	
Antenna Dimension (H x Dia)	83.8 x 36.5 mm (3.3" x 1.43")	
Weight	106g (.23 lbs)	
Antenna Color	Black	
Radome	PC, UV Stable, UL 94V0 Material	
Wind Survival	282 km/h (175 mph)	
Operating Temperature	-30°C - +70°C	
Storage Temperature	-40°C - +85°C	
Ingression Protection	IP67	
RoHS Compliance	YES	

Americas: +1.847.839.6907
IAS-AmericasEastSales@lairdtech.com

Europe: +44.1628.858941
IAS-EUSales@lairdtech.com

Asia: +86.21.5855.0827.127
IAS-AsiaSales@lairdtech.com

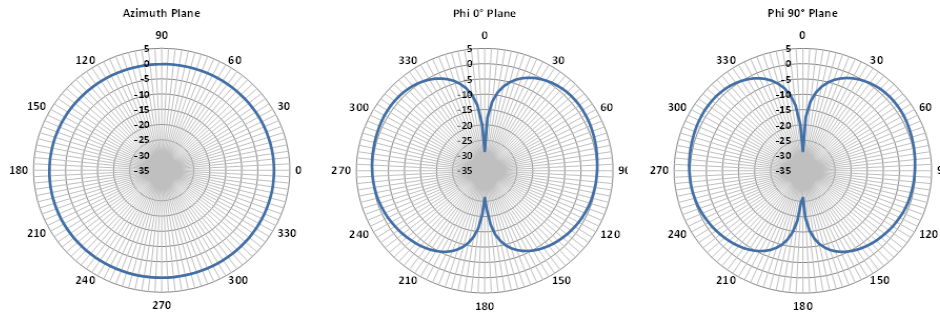
www.lairdtech.com

HCR8210M3NBN-001 NMO mount black no logo
HCR8210M3NWN-001 NMO mount white no logo

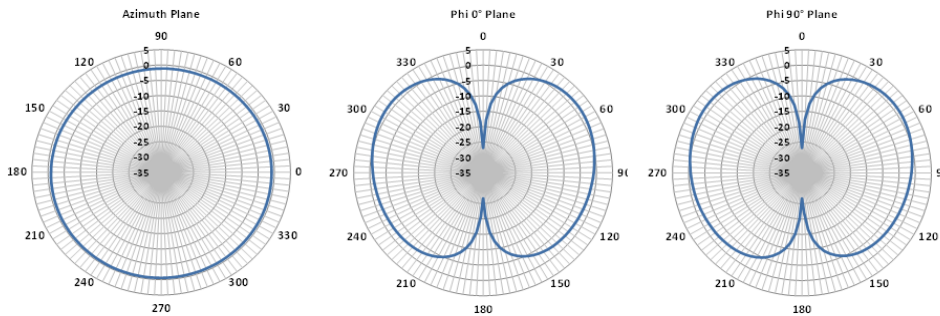
HCR821M3PBN-001 P mount black no logo
HCR821M3WBN-001 P mount white no logo

RADIATION PATTERNS: 30 cm Ground Plane

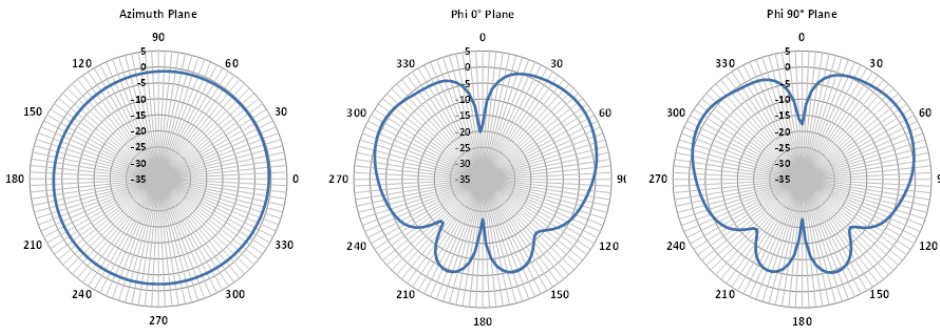
Radiation Pattern at 824 MHz



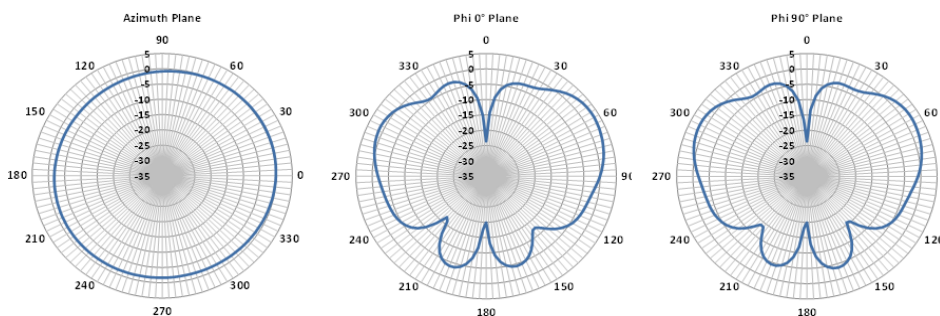
Radiation Pattern at 894 MHz



Radiation Pattern at 1850 MHz



Radiation Pattern at 1990 MHz



IAS-HCR8210M3_032415