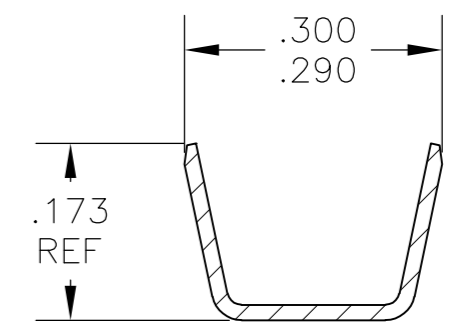
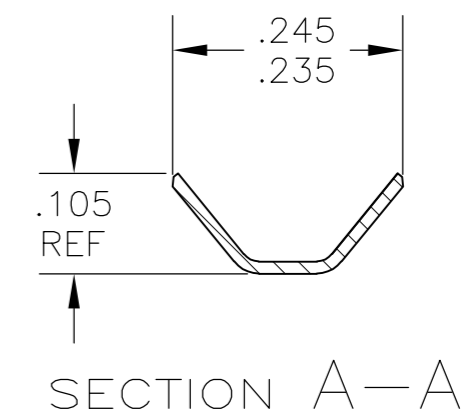
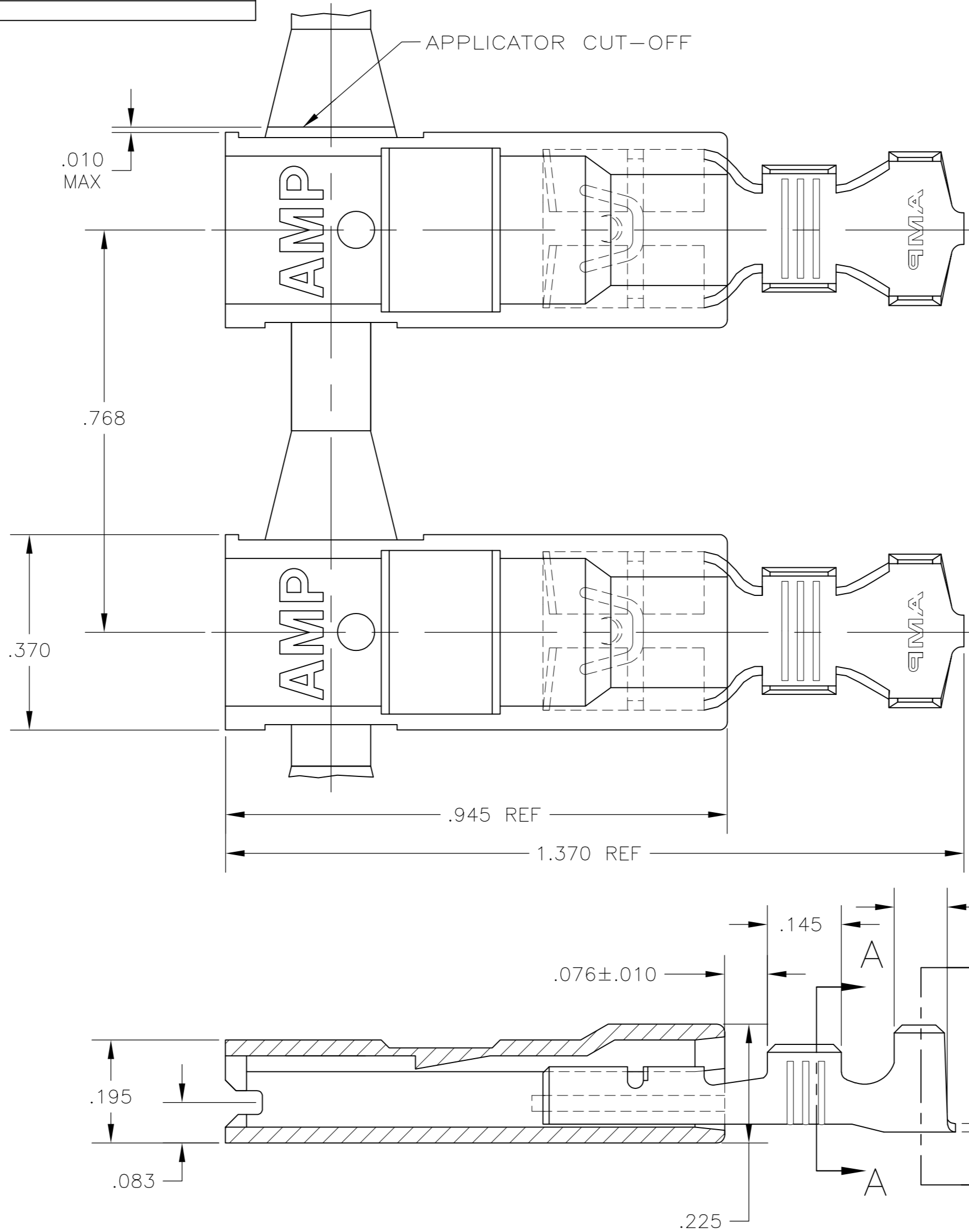


THIS DRAWING IS UNPUBLISHED. RELEASED FOR PUBLICATION
 © COPYRIGHT - By - ALL RIGHTS RESERVED.

LOC	DIST	REVISIONS			
P	LTR	DESCRIPTION	DATE	DWN	APVD
AF	50	D2	REVISED PER ECR-12-013219	08JAN13	KH KR



- 1 LOW-INSERTION FASTON TERMINALS ARE USED IN THIS PRODUCT.
- 2 TIN PLATE PER .000080 MIN
- 3 WIRE SIZE IS 18-14 OR TWO 18'S AWG OR TWO 20'S AWG
- 4 INSULATION RANGE IS .110-.180 DIA OR TWO .105 MAX DIA
- 5 MATING TAB THK IS .032±.001

STANDARD	6/6 VO NYLON, NATURAL	BRASS - TIN	2	521632-2
STANDARD	6/6 VO NYLON, NATURAL	BRASS - PLAIN		521632-1
PACKAGING	HOUSING MATERIAL & FINISH	TERMINAL MATERIAL & FINISH		PART NO.

THIS DRAWING IS A CONTROLLED DOCUMENT.		DWN	JR RUTH	12MAY03	 TE Connectivity ASSEMBLY, ULTRA-POD, RECEPTACLE, .250 SERIES	
DIMENSIONS: INCHES		CHK	MS FEHER	12MAY03		
TOLERANCES UNLESS OTHERWISE SPECIFIED:		APVD	J HUMMEL	12MAY03		
0 PLC ± - 1 PLC ± - 2 PLC ± - 3 PLC ± .010 4 PLC ± - ANGLES ± - FINISH SEE TABLE		PRODUCT SPEC	108-1285			
MATERIAL SEE TABLE		APPLICATION SPEC	114-2124		SIZE	A2
		WEIGHT	-		CAGE CODE	00779
		CUSTOMER DRAWING			DRAWING NO	C=521632
					RESTRICTED TO	-
					SCALE	5:1
					SHEET	1 of 1
					REV	D2