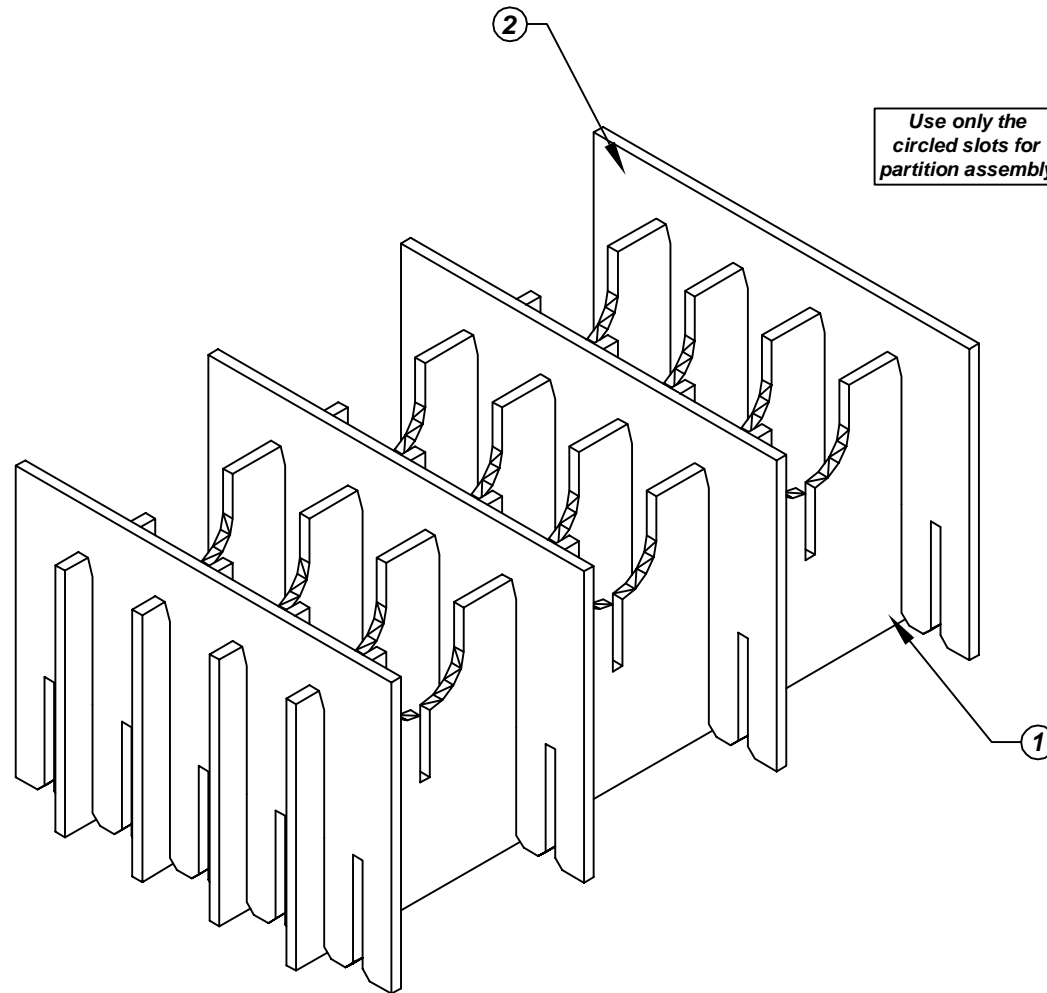
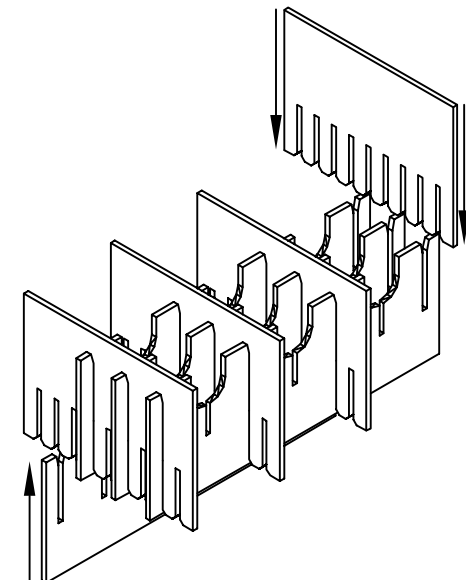
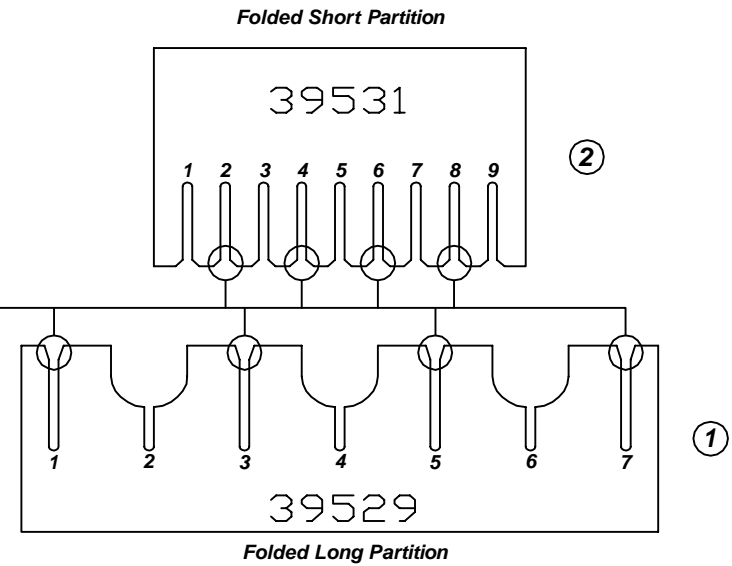


Assembly Instructions for - 37152



Use only the circled slots for partition assembly



Made in America

| | | | | |
|----------|-----------------|-------------------------------------|--|-----------|
| F/N ① | Part # 39529 | Dimensions: 12-3/16" x 16-11/16" | Description: 400 - LP Long Partition | Qty: 4 |
| F/N ② | Part # 39531 | Dimensions: 14-3/16" x 9-3/4" | Description: 400 - SP Short Partition | Qty: 4 |

37152 - 15 Cell Inplant Handler Cell Size - 7-1/4" x 4-3/4" x 1-3/4"

Notes:
For use with the following storage container & lid:
37500 - Storage Container
37550 - Lid

PROTEKTIVE PAK
13520 MONTE VISTA AVENUE, CHINO, CA 91710
PHONE (909) 627-2578, FAX (909) 363-7331
ProtectivePak.com



DRAWING NUMBER
IPH-37152

DATE
Dec. 2007