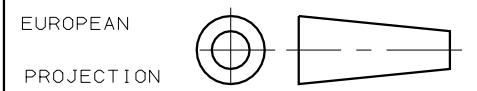


ZEICHNUNG GESCHÜTZT DURCH  
 ©COPYRIGHT 1988  
 AMP DEUTSCHLAND GMBH  
 ALLE RECHTE VORBEHALTEN

REV.	ÄNDERUNG	DATUM	NAME
1	MASS 2.54 $\begin{smallmatrix} +0.3 \\ -0.1 \end{smallmatrix}$ WAR 2.54		
2	MASS 3.0 $\pm$ 0.2 WAR 3.0 HINZU ALLG. TOLERANZ $\pm$ 0.1	02.11.88	AUGUSTINIAK
3	ZEICHNUNG IN EUROPEAN PROJECTION GEÄNDERT	04.12.90	A.HO
	LÖTLÄNGE VON 3.0 IN 3.1 GEÄNDERT	16.03.92	A.HO
C	VERPACKUNGSANGABE HINZU	15.01.96	F.RDT

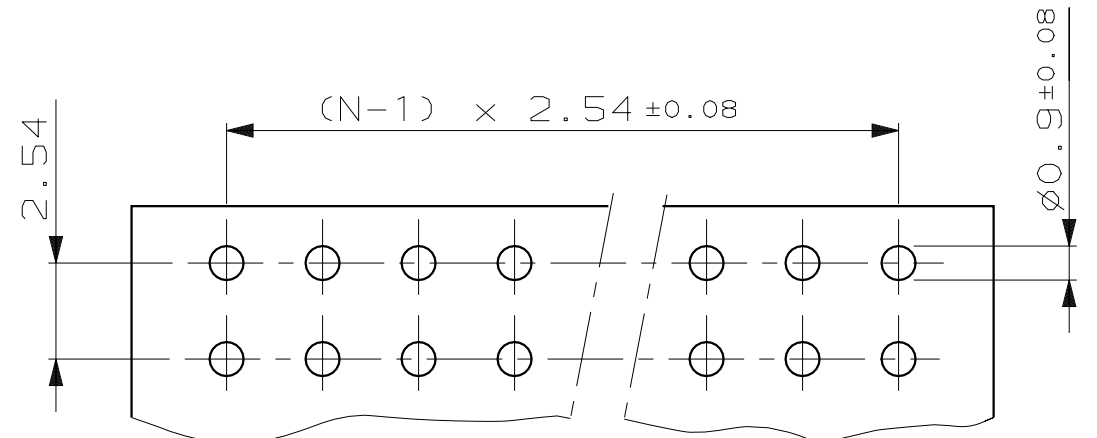
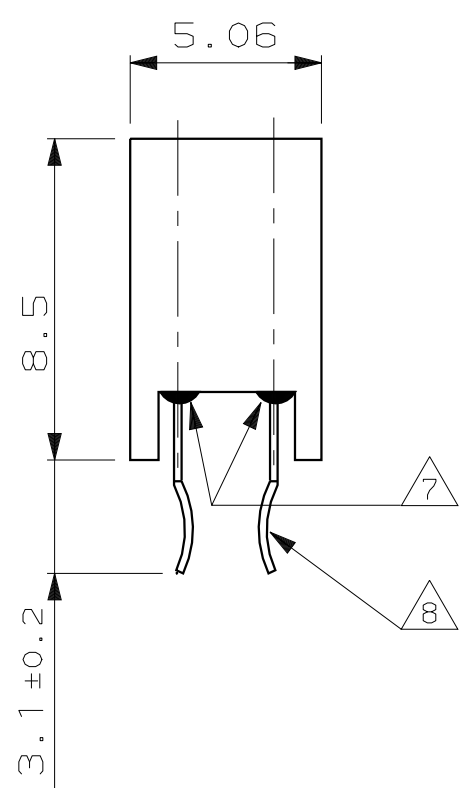
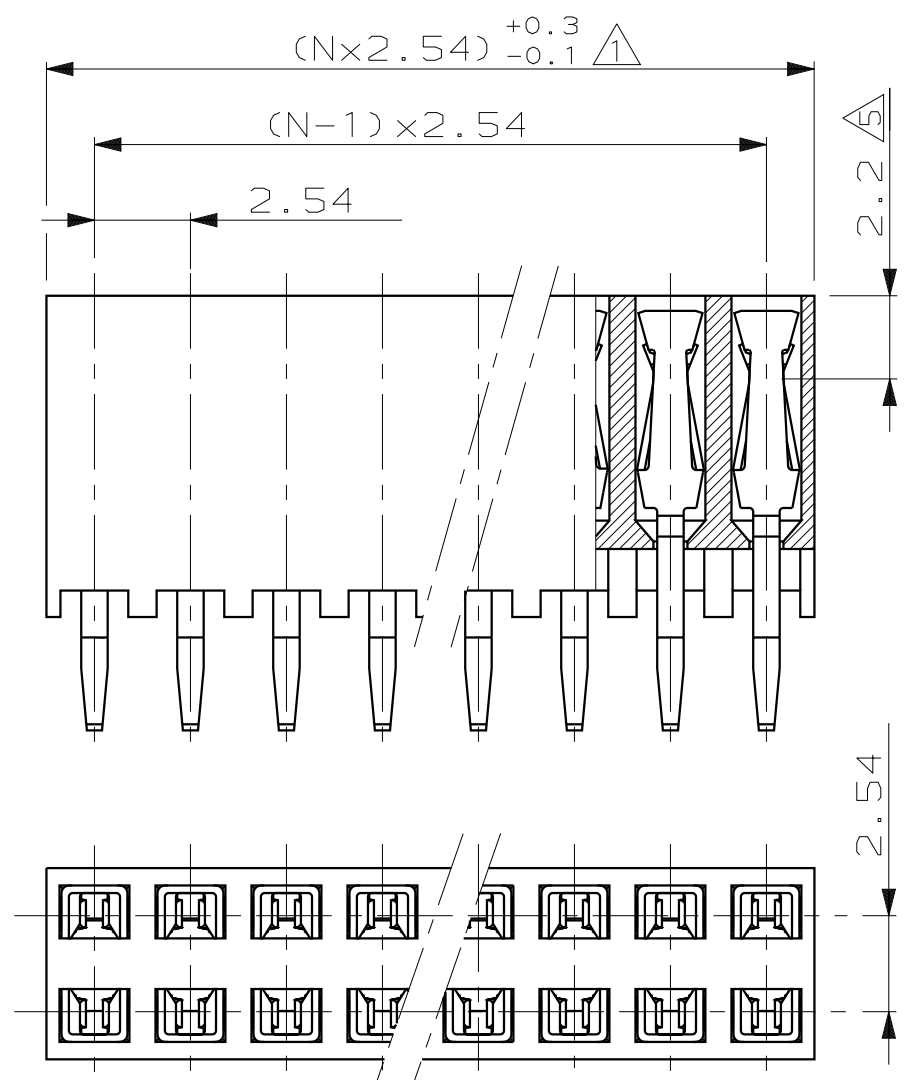
DO NOT SCALE  
 DIMENSIONS IN mm

METRIC

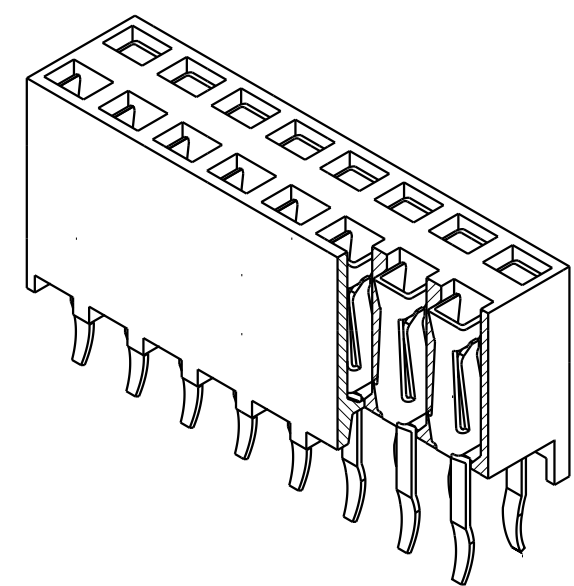


NOTES:

1. TO DETERMINE DIMENSIONS TAKE  $2 \times N = \text{NR. OF POS.}$ .  
 FOR EXAMPLE:  $2 \times 10 \text{ POS.} : N \times 2,54 = 25,4 \text{ mm.}$   
 FOR ORDERNR. USE BASIC NR. + NR. OF POS.  
 FOR EXAMPLE:  $2 \times 2 \text{ POS.} = 215 \text{ 313-2 (SHORTEST VERSION)}$   
 $2 \times 36 \text{ POS.} = 3-215 \text{ 313-6 (LONGEST VERSION)}$
2. HOUSING MATERIAL: GREEN GLASSFILLED POLYESTER, UL 94V-0  
 CONTACT MATERIAL: PHOSPHORBRONZE.
3. PLATING: UNDERCOATING:  $1,3 \mu\text{m Ni.}$   
 AT CONT.PLACE:  $0,8 \mu\text{m Au.}$   
 AT SOLDER-TYNES:  $2,5 \mu\text{m Sn.Pb.}$
4. MATES WITH 0,63 SQUARE/ROUND MODU POSTS.
5. CONTACT-POINT.
6. RECOMMENDED P.C.BOARD-THICKNESS: 1,6.
7. HIGH TEMPERATURE SEALANT.
8. RETENTION FEATURE.
9. HV100 CONNECTOR PACKED IN ANTISTATIC BLISTER



P.C.-BOARD HOLE-PATTERN



NICHT TOLERIERTE MASSE	±0.1
MASSTAB	5:1

VERWENDET FÜR E 92-9803	SEE NOTES FINISH	SEE NOTES MATERIAL	SEE NOTES PARTNUMBER
CUSTOMER DRAWING	AMP   AMP-HOLLAND B.V. 's-Hertogenbosch, The Netherlands.		
FOR REFERENCE ONLY WILL NOT BE UPDATED	THIS DRAWING IS UNPUBLISHED   RELEASED FOR PUBLICATION 14.8.1986		
DR. L.V.D.HEYDEN	DATE 20.05.86	NAME HV 100 VERTICAL CONNECTOR	
CHK. W.SIMONS	DATE	DUAL ROW, 8,5mm HEIGHT, TOP ENTRY, GOLD, MAX. 2x36 POSITIONS, SEALED VERSION.	
APP. L.V.SOEST	DATE	SIZE A3	SHEET 1 OF 1
		DWG. No. 215313	REV.LTR. C

8 7 6 5 4 3 2 1