

DATA SHEET

74ALVT162241

**2.5V/3.3V 16-bit buffer/driver with 30Ω
termination resistors (3-State)**

Product specification
Supersedes data of 1997 Dec 16
IC23 Data Handbook

1998 Feb 13

2.5V/3.3V 16-bit buffer/driver with 30Ω termination resistors (3-State)

74ALVT162241

FEATURES

- 16-bit bus interface
- 5V I/O Compatible
- 3-State buffers
- Output capability: +12mA/-12mA
- TTL input and output switching levels
- Input and output interface capability to systems at 5V supply
- Bus-hold data inputs eliminate the need for external pull-up resistors to hold unused inputs
- Outputs include series resistance of 30Ω making external termination resistors unnecessary
- Live insertion/extraction permitted
- Power-up 3-State
- No bus current loading when output is tied to 5V bus
- Latch-up protection exceeds 500mA per JEDEC Std 17
- ESD protection exceeds 2000V per MIL STD 883 Method 3015 and 200V per Machine Model

DESCRIPTION

The 74ALVT162241 is a high-performance BiCMOS product designed for V_{CC} operation at 2.5V or 3.3V with I/O compatibility up to 5V.

This device is a 16-bit buffer that is ideal for driving bus lines. The device features four Output Enables ($1\overline{OE}$, $2OE$, $3OE$, $4\overline{OE}$), each controlling four of the 3-State outputs.

The 74ALVT162241 is designed with 30Ω series resistance in both High and Low output stages. This design reduces the line noise in applications such as memory address drivers, clock drivers and bus receivers/transmitters. The series termination resistors reduce overshoot and undershoot and are ideal for driving memory arrays.

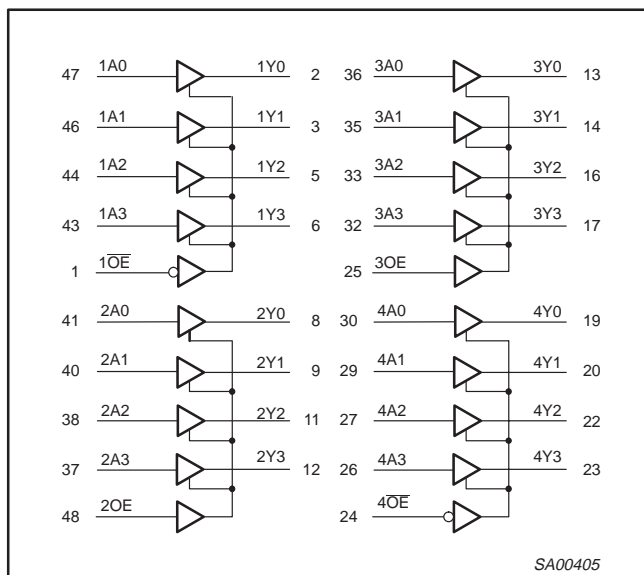
QUICK REFERENCE DATA

| SYMBOL | PARAMETER | CONDITIONS $T_{amb} = 25^{\circ}C$ | TYPICAL | | UNIT |
|------------------------|---------------------------------|---------------------------------------|------------|------------|---------|
| | | | 2.5V | 3.3V | |
| t_{PLH} t_{PHL} | Propagation delay nAx to nYx | $C_L = 50pF$ | 3.1 2.3 | 2.2 2.0 | ns |
| C_{IN} | Input capacitance nOE | $V_I = 0V$ or V_{CC} | 3 | 3 | pF |
| C_{Out} | Output pin capacitance | $V_{I/O} = 0V$ or V_{CC} | 9 | 9 | pF |
| I_{CCZ} | Total supply current | Outputs disabled | 40 | 70 | μA |

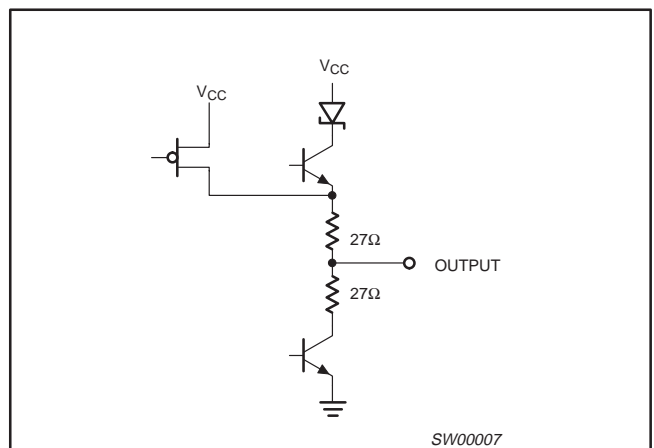
ORDERING INFORMATION

| PACKAGES | TEMPERATURE RANGE | OUTSIDE NORTH AMERICA | NORTH AMERICA | DWG NUMBER |
|------------------------------|-------------------|-----------------------|---------------|------------|
| 48-Pin Plastic SSOP Type III | -40°C to +85°C | 74ALVT162241 DL | AV162241 DL | SOT370-1 |
| 48-Pin Plastic TSSOP Type II | -40°C to +85°C | 74ALVT162241 DGG | AV162241 DGG | SOT362-1 |

LOGIC SYMBOL



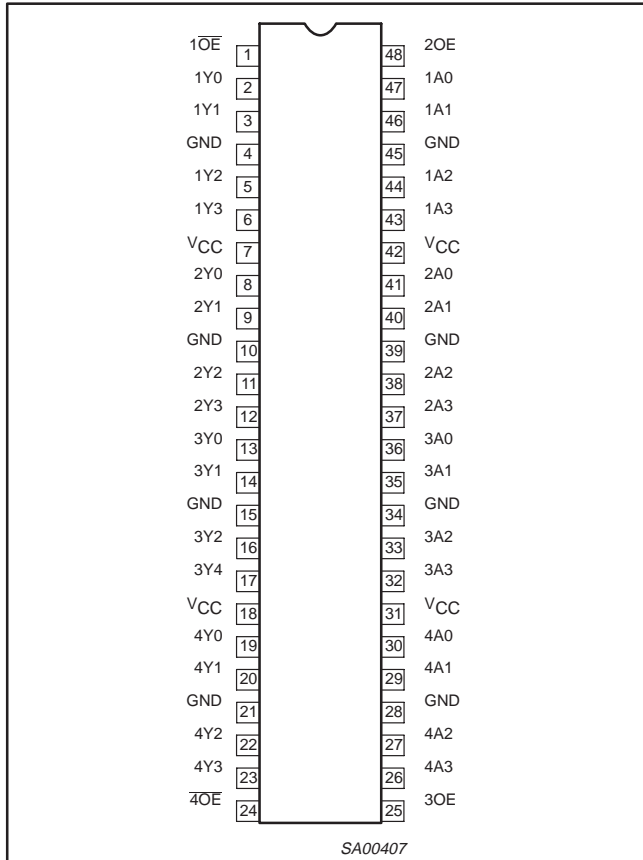
SCHEMATIC OF EACH OUTPUT



2.5V/3.3V 16-bit buffer/driver with 30Ω termination resistors (3-State)

74ALVT162241

PIN CONFIGURATION



PIN DESCRIPTION

| PIN NUMBER | SYMBOL | NAME AND FUNCTION |
|--|--|-------------------------|
| 47, 46, 44, 43, 41, 40, 38, 37, 36, 35, 33, 32, 30, 29, 27, 26 | 1A0-1A3 2A0-2A3 3A0-3A3 4A0-4A3 | Data inputs |
| 2, 3, 5, 6, 8, 9, 11, 12, 13, 14, 16, 17, 19, 20, 22, 23 | 1Y0-1Y3 2Y0-2Y3 3Y0-3Y3 4Y0-4Y3 | Data outputs |
| 1, 48, 25, 24 | 1OE, 2OE, 3OE, 4OE | Output enables |
| 4, 10, 15, 21, 28, 34, 39, 45 | GND | Ground (0V) |
| 7, 18, 31, 42 | V _{CC} | Positive supply voltage |

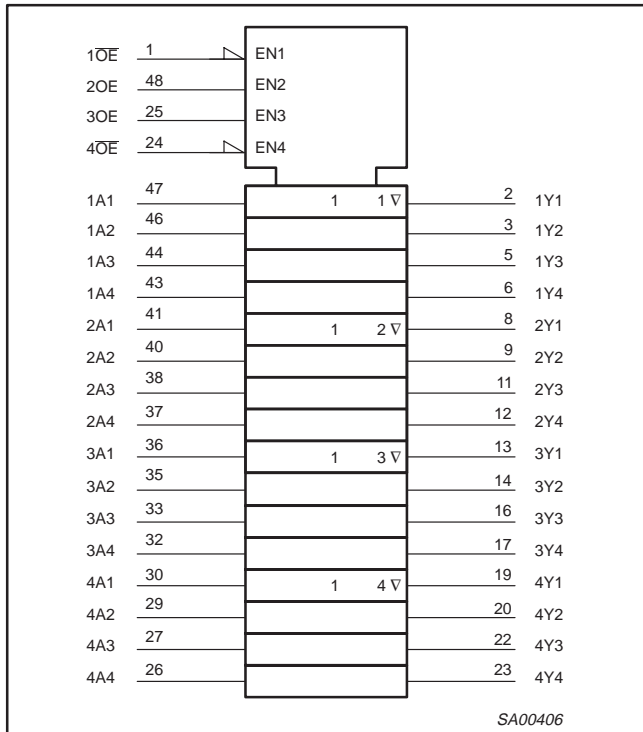
FUNCTION TABLE

| Inputs | | Outputs |
|----------|----------|----------|
| 1OE, 4OE | 1Ax, 4Ax | 1Yx, 4Yx |
| L | H | H |
| L | L | L |
| H | X | Z |

| Inputs | | Outputs |
|----------|----------|----------|
| 2OE, 3OE | 2Ax, 3Ax | 2Yx, 3Yx |
| H | H | H |
| H | L | L |
| L | X | Z |

H = High voltage level
 L = Low voltage level
 X = Don't care
 Z = High Impedance "off" state

LOGIC SYMBOL (IEEE/IEC)



2.5V/3.3V 16-bit buffer/driver with 30Ω termination resistors (3-State)

74ALVT162241

ABSOLUTE MAXIMUM RATINGS^{1, 2}

| SYMBOL | PARAMETER | CONDITIONS | RATING | UNIT |
|------------------|--------------------------------|-----------------------------|--------------|------|
| V _{CC} | DC supply voltage | | -0.5 to +4.6 | V |
| I _{IK} | DC input diode current | V _I < 0 | -50 | mA |
| V _I | DC input voltage ³ | | -0.5 to +7.0 | V |
| I _{OK} | DC output diode current | V _O < 0 | -50 | mA |
| V _{OUT} | DC output voltage ³ | Output in Off or High state | -0.5 to +7.0 | V |
| I _{OUT} | DC output current | Output in Low state | 128 | mA |
| | | Output in High state | -64 | |
| T _{stg} | Storage temperature range | | -65 to +150 | °C |

NOTES:

- Stresses beyond those listed may cause permanent damage to the device. These are stress ratings only and functional operation of the device at these or any other conditions beyond those indicated under "recommended operating conditions" is not implied. Exposure to absolute-maximum-rated conditions for extended periods may affect device reliability.
- The performance capability of a high-performance integrated circuit in conjunction with its thermal environment can create junction temperatures which are detrimental to reliability. The maximum junction temperature of this integrated circuit should not exceed 150°C.
- The input and output negative voltage ratings may be exceeded if the input and output clamp current ratings are observed.

RECOMMENDED OPERATING CONDITIONS

| SYMBOL | PARAMETER | 2.5V RANGE LIMITS | | 3.3V RANGE LIMITS | | UNIT |
|------------------|---|-------------------|-----|-------------------|-----|------|
| | | MIN | MAX | MIN | MAX | |
| V _{CC} | DC supply voltage | 2.3 | 2.7 | 3.0 | 3.6 | V |
| V _I | Input voltage | 0 | 5.5 | 0 | 5.5 | V |
| V _{IH} | High-level input voltage | 1.7 | | 2.0 | | V |
| V _{IL} | Input voltage | | 0.7 | | 0.8 | V |
| I _{OH} | High-level output current | | -8 | | -12 | mA |
| I _{OL} | Low-level output current | | 12 | | 12 | mA |
| Δt/Δv | Input transition rise or fall rate; Outputs enabled | | 10 | | 10 | ns/V |
| T _{amb} | Operating free-air temperature range | -40 | +85 | -40 | +85 | °C |

2.5V/3.3V 16-bit buffer/driver with 30Ω termination resistors (3-State)

74ALVT162241

DC ELECTRICAL CHARACTERISTICS (3.3V ± 0.3V RANGE)

| SYMBOL | PARAMETER | TEST CONDITIONS | LIMITS | | | UNIT | |
|--------------------|--|--|------------------------|------------------|------|------|----|
| | | | Temp = -40°C to +85°C | | | | |
| | | | MIN | TYP ¹ | MAX | | |
| V _{IK} | Input clamp voltage | V _{CC} = 3.0V; I _{IK} = -18mA | | -0.85 | -1.2 | V | |
| V _{OH} | High-level output voltage | V _{CC} = 3.0V; I _{OH} = -12mA | 2.0 | 2.3 | | V | |
| V _{OL} | Low-level output voltage | V _{CC} = 3.0V; I _{OL} = 12mA | | 0.5 | 0.8 | V | |
| I _I | Input leakage current | V _{CC} = 3.6V; V _I = V _{CC} or GND | Control pins | | 0.1 | ±1 | μA |
| | | V _{CC} = 0 or 3.6V; V _I = 5.5V | | | 0.1 | 10 | μA |
| | | V _{CC} = 3.6V; V _I = V _{CC} | Data pins ⁴ | | 0.5 | 1 | μA |
| | | V _{CC} = 3.6V; V _I = 0 | | | 0.1 | -5 | μA |
| I _{OFF} | Off current | V _{CC} = 0V; V _I or V _O = 0 to 4.5V | | 0.1 | ±100 | μA | |
| I _{HOLD} | Bus Hold current Data inputs ⁶ | V _{CC} = 3.0V; V _I = 0.8V | 75 | 130 | | μA | |
| | | V _{CC} = 3.0V; V _I = 2.0V | -75 | 200 | | | |
| | | V _{CC} = 0V to 3.6V; V _{CC} = 3.6V | ±500 | | | | |
| I _{EX} | Current into an output in the High state when V _O > V _{CC} | V _O = 5.5V; V _{CC} = 3.0V | | 10 | 125 | μA | |
| I _{PU/PD} | Power up/down 3-State output current ³ | V _{CC} ≤ 1.2V; V _O = 0.5V to V _{CC} ; V _I = GND or V _{CC} OE/OE = Don't care | | 1 | ±100 | μA | |
| I _{OZH} | 3-State output High current | V _{CC} = 3.6V; V _O = 3.0V; V _I = V _{IL} or V _{IH} | | 0.5 | 5 | μA | |
| I _{OZL} | 3-State output Low current | V _{CC} = 3.6V; V _O = 0.5V; V _I = V _{IL} or V _{IH} | | 0.5 | -5 | μA | |
| I _{CCH} | Quiescent supply current | V _{CC} = 3.6V; Outputs High, V _I = GND or V _{CC} , I _O = 0 | | 0.07 | 0.1 | mA | |
| I _{CCL} | | V _{CC} = 3.6V; Outputs Low, V _I = GND or V _{CC} , I _O = 0 | | 3.5 | 7 | | |
| I _{CCZ} | | V _{CC} = 3.6V; Outputs Disabled; V _I = GND or V _{CC} , I _O = 0 ⁵ | | 0.07 | 0.1 | | |
| ΔI _{CC} | Additional supply current per input pin ² | V _{CC} = 3V to 3.6V; One input at V _{CC} -0.6V, Other inputs at V _{CC} or GND | | 0.04 | 0.4 | mA | |

NOTES:

- All typical values are at V_{CC} = 3.3V and T_{amb} = 25°C.
- This is the increase in supply current for each input at the specified voltage level other than V_{CC} or GND
- This parameter is valid for any V_{CC} between 0V and 1.2V with a transition time of up to 10msec. From V_{CC} = 1.2V to V_{CC} = 3.3V ± 0.3V a transition time of 100μsec is permitted. This parameter is valid for T_{amb} = 25°C only.
- Unused pins at V_{CC} or GND.
- I_{CCZ} is measured with outputs pulled up to V_{CC} or pulled down to ground.
- This is the bus hold overdrive current required to force the input to the opposite logic state.

AC CHARACTERISTICS (3.3V ± 0.3V RANGE)

GND = 0V; t_R = t_F = 2.5ns; C_L = 50pF; R_L = 500Ω; T_{amb} = -40°C to +85°C.

| SYMBOL | PARAMETER | WAVEFORM | LIMITS | | | UNIT |
|--------------------------------------|--|----------|-------------------------------|------------------|------------|------|
| | | | V _{CC} = 3.3V ± 0.3V | | | |
| | | | MIN | TYP ¹ | MAX | |
| t _{PLH} t _{PHL} | Propagation delay nAx to nYx | 1 | 0.5 0.5 | 2.2 2.0 | 3.6 3.0 | ns |
| t _{PZH} t _{PZL} | Output enable time to High and Low level | 2 | 1.0 0.5 | 3.9 2.6 | 5.8 4.0 | ns |
| t _{PHZ} t _{PLZ} | Output disable time from High and Low Level | 2 | 1.5 1.0 | 4.1 2.9 | 6.6 5.3 | ns |

NOTE:

- All typical values are at V_{CC} = 3.3V and T_{amb} = 25°C.

2.5V/3.3V 16-bit buffer/driver with 30Ω termination resistors (3-State)

74ALVT162241

DC ELECTRICAL CHARACTERISTICS (2.5V ± 0.2V RANGE)

| SYMBOL | PARAMETER | TEST CONDITIONS | LIMITS | | | UNIT |
|--------------------------------|--|--|------------------------|------------------|------|------|
| | | | Temp = -40°C to +85°C | | | |
| | | | MIN | TYP ¹ | MAX | |
| V _{IK} | Input clamp voltage | V _{CC} = 2.3V; I _{IK} = -18mA | | -0.85 | -1.2 | V |
| V _{OH} | High-level output voltage | V _{CC} = 2.3V; I _{OH} = -8mA | 1.7 | 2.1 | | V |
| V _{OL} | Low-level output voltage | V _{CC} = 2.3V; I _{OL} = 12mA | | 0.5 | 0.7 | V |
| I _I | Input leakage current | V _{CC} = 2.7V; V _I = V _{CC} or GND | Control pins | 0.1 | ±1 | μA |
| | | V _{CC} = 0 or 2.7V; V _I = 5.5V | | 0.1 | 10 | |
| | | V _{CC} = 2.7V; V _I = V _{CC} | Data pins ⁴ | 0.1 | 1 | |
| | | V _{CC} = 2.7V; V _I = 0 | | 0.1 | -5 | |
| I _{OFF} | Off current | V _{CC} = 0V; V _I or V _O = 0 to 4.5V | | 0.1 | ±100 | μA |
| I _{HOLD} ⁶ | Bus Hold current | V _{CC} = 2.5V; V _I = 0.7V | | 90 | | μA |
| | Data inputs | V _{CC} = 2.5V; V _I = 1.7V | | -70 | | μA |
| I _{EX} | Current into an output in the High state when V _O > V _{CC} | V _O = 5.5V; V _{CC} = 2.3V | | 10 | 125 | μA |
| I _{PU/PD} | Power up/down 3-State output current ³ | V _{CC} ≤ 1.2V; V _O = 0.5V to V _{CC} ; V _I = GND or V _{CC} OE/OE = Don't care | | 1 | ±100 | μA |
| I _{OZH} | 3-State output High current | V _{CC} = 2.7V; V _O = 2.3V; V _I = V _{IL} or V _{IH} | | 0.5 | 5 | μA |
| I _{OZL} | 3-State output Low current | V _{CC} = 2.7V; V _O = 0.5V; V _I = V _{IL} or V _{IH} | | 0.5 | -5 | μA |
| I _{CCH} | Quiescent supply current | V _{CC} = 2.7V; Outputs High, V _I = GND or V _{CC} , I _O = 0 | | 0.04 | 0.1 | mA |
| I _{CCL} | | V _{CC} = 2.7V; Outputs Low, V _I = GND or V _{CC} , I _O = 0 | | 2.3 | 4.5 | |
| I _{CCZ} | | V _{CC} = 2.7V; Outputs Disabled; V _I = GND or V _{CC} , I _O = 0 ⁵ | | 0.04 | 0.1 | |
| ΔI _{CC} | Additional supply current per input pin ² | V _{CC} = 2.3V to 2.7V; One input at V _{CC} -0.6V, Other inputs at V _{CC} or GND | | 0.01 | 0.4 | mA |

NOTES:

- All typical values are at V_{CC} = 2.5V and T_{amb} = 25°C.
- This is the increase in supply current for each input at the specified voltage level other than V_{CC} or GND
- This parameter is valid for any V_{CC} between 0V and 1.2V with a transition time of up to 10msec. From V_{CC} = 1.2V to V_{CC} = 2.5V ± 0.2V a transition time of 100μsec is permitted. This parameter is valid for T_{amb} = 25°C only.
- Unused pins at V_{CC} or GND.
- I_{CCZ} is measured with outputs pulled up to V_{CC} or pulled down to ground.
- Not guaranteed.

AC CHARACTERISTICS (2.5V ± 0.2V RANGE)

GND = 0V; t_R = t_F = 2.5ns; C_L = 50pF; R_L = 500Ω; T_{amb} = -40°C to +85°C.

| SYMBOL | PARAMETER | WAVEFORM | LIMITS | | | UNIT |
|--------------------------------------|--|----------|-------------------------------|------------------|-----|------|
| | | | V _{CC} = 2.5V ± 0.2V | | | |
| | | | MIN | TYP ¹ | MAX | |
| t _{PLH} t _{PHL} | Propagation delay nAx to nYx | 1 | 0.5 | 3.1 | 4.6 | ns |
| | | | 0.5 | 2.3 | 3.6 | |
| t _{PZH} t _{PZL} | Output enable time to High and Low level | 2 | 1.5 | 4.8 | 7.5 | ns |
| | | | 1.0 | 3.4 | 6.0 | |
| t _{PHZ} t _{PLZ} | Output disable time from High and Low Level | 2 | 1.0 | 4.5 | 8.3 | ns |
| | | | 0.5 | 3.0 | 6.3 | |

NOTE:

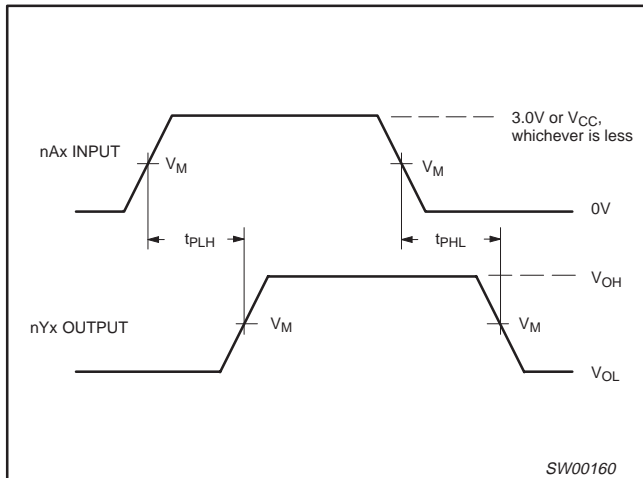
- All typical values are at V_{CC} = 2.5V and T_{amb} = 25°C.

2.5V/3.3V 16-bit buffer/driver with 30Ω termination resistors (3-State)

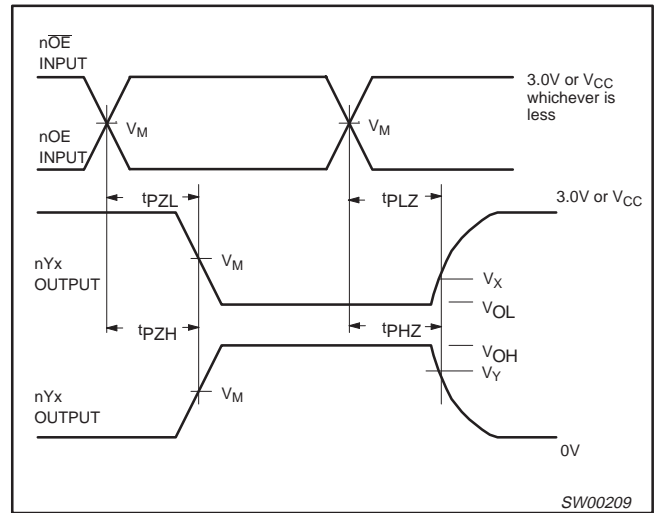
74ALVT162241

AC WAVEFORMS

$V_M = 1.5V$ at $V_{CC} \geq 3.0V$; $V_M = V_{CC}/2$ at $V_{CC} \leq 2.7V$
 $V_X = V_{OL} + 0.3V$ at $V_{CC} \geq 3.0V$; $V_X = V_{OL} + 0.15V$ at $V_{CC} \leq 2.7V$
 $V_Y = V_{OH} - 0.3V$ at $V_{CC} \geq 3.0V$; $V_Y = V_{OH} - 0.15V$ at $V_{CC} \leq 2.7V$



Waveform 1. Input (nAx) to Output (nYx) Propagation Delays



Waveform 2. 3-State Output Enable and Disable Times

TEST CIRCUIT AND WAVEFORMS

Test Circuit for 3-State Outputs

Input Pulse Definition

$V_M = 1.5V$ or $V_{CC} / 2$, whichever is less

SWITCH POSITION

| TEST | SWITCH |
|-------------------|-------------------------|
| t_{PHZ}/t_{PZH} | GND |
| t_{PLZ}/t_{PZL} | 6V or $V_{CC} \times 2$ |
| t_{PLH}/t_{PHL} | open |

DEFINITIONS

R_L = Load resistor; see AC CHARACTERISTICS for value.
 C_L = Load capacitance includes jig and probe capacitance; see AC CHARACTERISTICS for value.
 R_T = Termination resistance should be equal to Z_{OUT} of pulse generators.

| FAMILY | INPUT PULSE REQUIREMENTS | | | | |
|----------|------------------------------------|--------------|-------|--------------|--------------|
| | Amplitude | Rep. Rate | t_W | t_R | t_F |
| 74ALVT16 | 3.0V or V_{CC} whichever is less | $\leq 10MHz$ | 500ns | $\leq 2.5ns$ | $\leq 2.5ns$ |

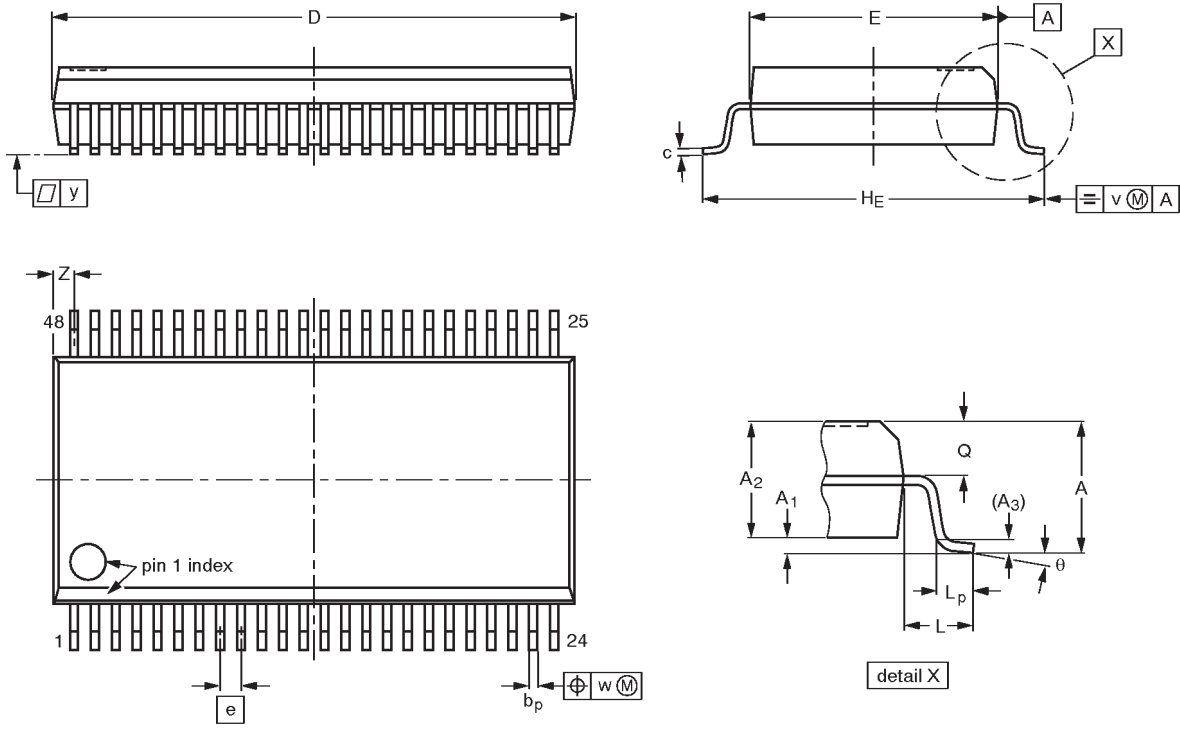
SW00162

2.5V/3.3V ALVT 16-bit buffer/driver with 30Ω termination resistors (3-State)

74ALVT162241

SSOP48: plastic shrink small outline package; 48 leads; body width 7.5 mm

SOT370-1



DIMENSIONS (mm are the original dimensions)

| UNIT | A max. | A ₁ | A ₂ | A ₃ | b _p | c | D ⁽¹⁾ | E ⁽¹⁾ | e | H _E | L | L _p | Q | v | w | y | Z ⁽¹⁾ | θ |
|------|--------|----------------|----------------|----------------|----------------|--------------|------------------|------------------|-------|----------------|-----|----------------|------------|------|------|-----|------------------|----------|
| mm | 2.8 | 0.4 0.2 | 2.35 2.20 | 0.25 | 0.3 0.2 | 0.22 0.13 | 16.00 15.75 | 7.6 7.4 | 0.635 | 10.4 10.1 | 1.4 | 1.0 0.6 | 1.2 1.0 | 0.25 | 0.18 | 0.1 | 0.85 0.40 | 8° 0° |

Note

1. Plastic or metal protrusions of 0.25 mm maximum per side are not included.

| OUTLINE VERSION | REFERENCES | | | | EUROPEAN PROJECTION | ISSUE DATE |
|-----------------|------------|----------|------|--|---------------------|-----------------------|
| | IEC | JEDEC | EIAJ | | | |
| SOT370-1 | | MO-118AA | | | | 93-11-02- 95-02-04 |

2.5V/3.3V ALVT 16-bit buffer/driver with 30Ω termination resistors (3-State)

74ALVT162241

TSSOP48: plastic thin shrink small outline package; 48 leads; body width 6.1mm

SOT362-1



2.5V/3.3V 16-bit buffer/driver with 30Ω termination resistors (3-State)

74ALVT162241

Data sheet status

| Data sheet status | Product status | Definition [1] |
|---------------------------|----------------|--|
| Objective specification | Development | This data sheet contains the design target or goal specifications for product development. Specification may change in any manner without notice. |
| Preliminary specification | Qualification | This data sheet contains preliminary data, and supplementary data will be published at a later date. Philips Semiconductors reserves the right to make changes at any time without notice in order to improve design and supply the best possible product. |
| Product specification | Production | This data sheet contains final specifications. Philips Semiconductors reserves the right to make changes at any time without notice in order to improve design and supply the best possible product. |

[1] Please consult the most recently issued datasheet before initiating or completing a design.

Definitions

Short-form specification — The data in a short-form specification is extracted from a full data sheet with the same type number and title. For detailed information see the relevant data sheet or data handbook.

Limiting values definition — Limiting values given are in accordance with the Absolute Maximum Rating System (IEC 134). Stress above one or more of the limiting values may cause permanent damage to the device. These are stress ratings only and operation of the device at these or at any other conditions above those given in the Characteristics sections of the specification is not implied. Exposure to limiting values for extended periods may affect device reliability.

Application information — Applications that are described herein for any of these products are for illustrative purposes only. Philips Semiconductors make no representation or warranty that such applications will be suitable for the specified use without further testing or modification.

Disclaimers

Life support — These products are not designed for use in life support appliances, devices or systems where malfunction of these products can reasonably be expected to result in personal injury. Philips Semiconductors customers using or selling these products for use in such applications do so at their own risk and agree to fully indemnify Philips Semiconductors for any damages resulting from such application.

Right to make changes — Philips Semiconductors reserves the right to make changes, without notice, in the products, including circuits, standard cells, and/or software, described or contained herein in order to improve design and/or performance. Philips Semiconductors assumes no responsibility or liability for the use of any of these products, conveys no license or title under any patent, copyright, or mask work right to these products, and makes no representations or warranties that these products are free from patent, copyright, or mask work right infringement, unless otherwise specified.

Philips Semiconductors
811 East Arques Avenue
P.O. Box 3409
Sunnyvale, California 94088-3409
Telephone 800-234-7381

© Copyright Philips Electronics North America Corporation 1998
All rights reserved. Printed in U.S.A.

print code

Date of release: 05-96

Document order number:

9397-750-03562

Let's make things better.