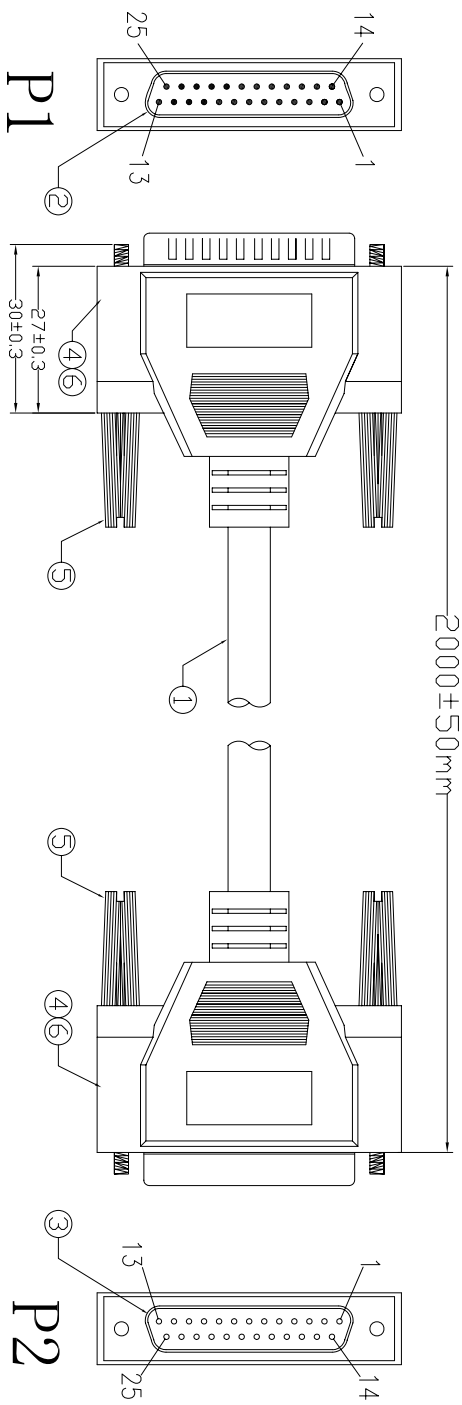
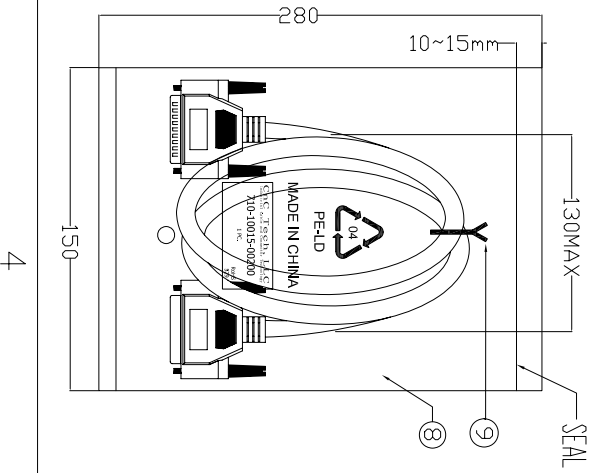


Units:mm



**Electrical test:**  
 1. 100% short, open, miswire test  
 2. Conduct resistance: 2 Ohm(max)  
 3. Insulation resistance: 5Mohm(min)  
 4. dielectric test: DC 300V



⑨	TIE	1	WHITE L=80mm
⑧	PE BAG	1/10	CLEAR SIZE: 360*380*0.05mm PRINT BLACK"MADE IN CHINA"+"10PCS" 及印生产周期,有透气孔.
⑦	PE BAG	1	CLEAR SIZE: 150*280*0.05mm PRINT BLACK"MADE IN CHINA"+"1PC" 及印生产周期,有透气孔.
⑥	TUBE	2	HEAT SHRINK TUBE BLACK OD1.5*20MM
⑤	SCREW	4	#4-40UNC TYPE L=30mm/NICKEL PLATED.MOLD:BEIGE(V-29) ABS
④	IN JACKET	18g	CLEAR LD=PE (Mould NO.:NW-33)
③	OUT JACKET	60g	BEIGE(V-29) 40P PVC(Mould NO.MW-017)
②	CONN	1	DB 25P FEMALE SODER TYPE PIN G/F SHELL NI-PLATED INSULATOR COLOR:BLUE
①	CABLE	1	DB 25P MALE SODER TYPE PIN G/F SHELL NI-PLATED INSULATOR COLOR:BLUE
①	CABLE	1	NOUL 30#(7/0.10)*25C+D+AL/MY OD6.5mm JACKET BEIGE(V-29) L=2000±10MM

PIN ASSIGNMENT		
P1		P2
1	黑	1
2	棕	2
3	红	3
4	橙	4
5	黄	5
6	绿	6
7	蓝	7
8	紫	8
9	灰	9
10	白	10
11	粉红	11
12	浅绿	12
13	红/黑	13
14	橙/黑	14
15	黄/黑	15
16	绿/黑	16
17	蓝/黑	17
18	紫/黑	18
19	白/黑	19
20	红/白	20
21	橙/白	21
22	绿/白	22
23	蓝/白	23
24	紫/白	24
25	棕/白	24
	地线	25
	SHELL	SHELL

**CNC Tech, LLC**  
 Industrial Cable and Connector Technology

DRAWN BY	ZHONGHS	DRAWING NO.	
CHECKED BY		CUSTOMER	
APPROVAL BY		ITEM NO.	710-10015-00200
DECIDE BY		DATE	2012-02-06
VERSIONS/EDITION	A/0	PROJECTION	