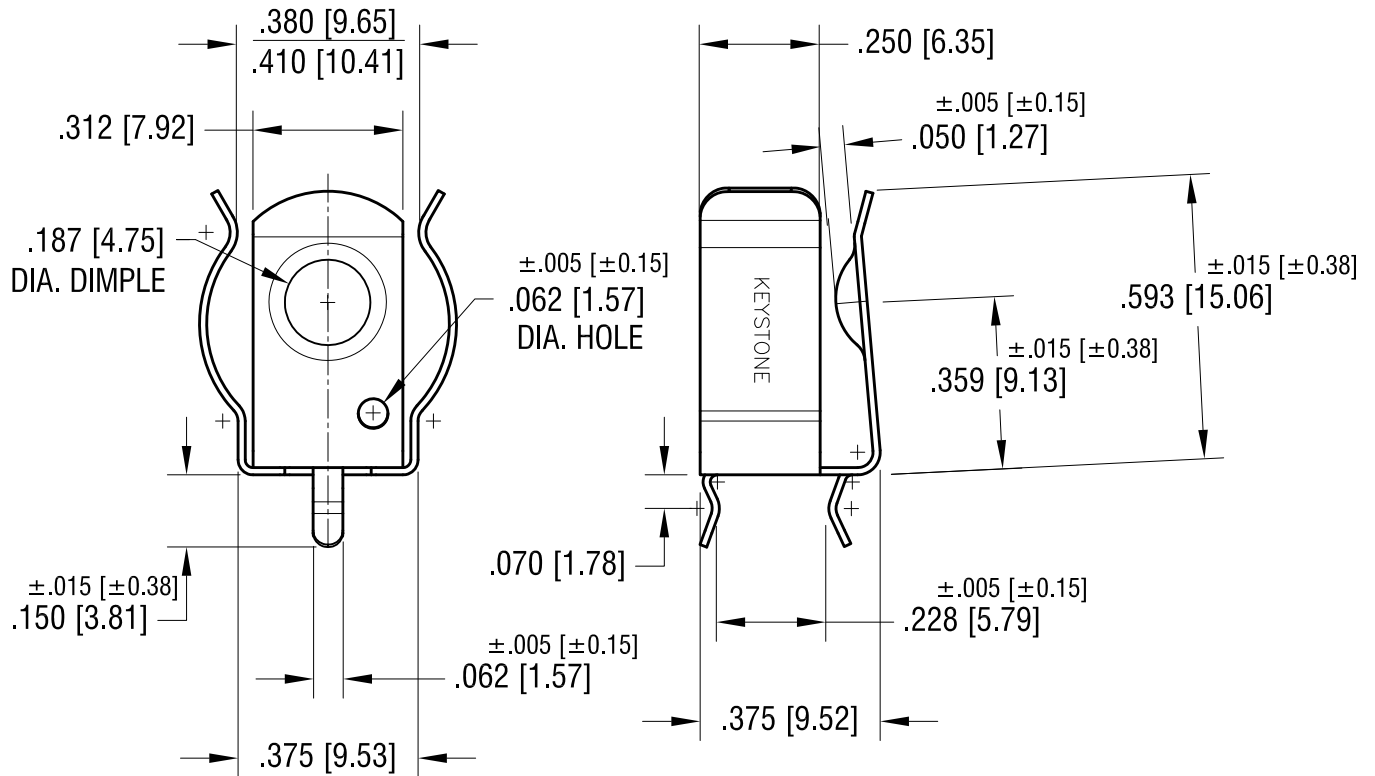
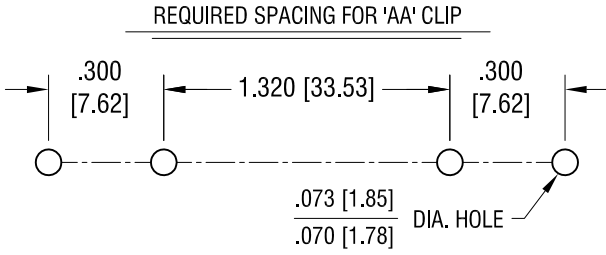


THIS DOCUMENT IS THE PROPERTY OF
KEYSTONE ELECTRONICS CORP. AND
SHALL NOT BE REPRODUCED, DISTRIBUTED
OR USED AS A BASIS FOR MANUFACTURE
WITHOUT PRIOR WRITTEN PERMISSION
FROM KEYSTONE ELECTRONICS CORP.

ACTUAL SIZE



NOTE:

1. HEAT TREAT TO SPRING TEMPER.

DATE	DESCRIPTION	REV.
10.06.16	CHANGE AS PER ECR 16-062	D
7.17.14	CHANGE AS PER ECN 14-068	C
6.19.06	CHANGE AS PER ECN 06-039	B

KEYSTONE ELECTRONICS CORP.			
www.keyelco.com • ASTORIA, N.Y. 11105-2017 • Tel (718) 956-8900			
PART NAME		'A'-AA' PC BATTERY CLIP	
MATERIAL		.015 [.38] TH'K ANNEALED SPRING STEEL	
FINISH		DRN BY	DATE
TIN NICKEL PLATE		BOONE	4.3.01
		APP'D	SCALE
TOLERANCES INCH [MM]		LN	2.5X
		DWG NO.	
DECIMAL	± .010 [± 0.25]	CODE	2915
ANGULAR	± 2°	C	
UNLESS OTHERWISE SPECIFIED			