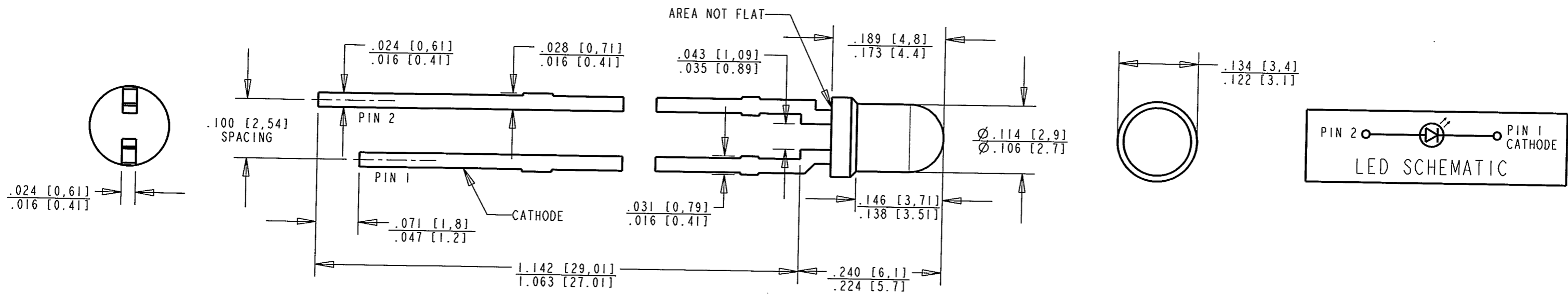


REV	ECN NO	REVISIONS	DRN	CKD	APP	DATE
A		NEW RELEASE	KLJ	no		4/4/08



OPERATING CHARACTERISTICS AT 25°C AMBIENT						
CHARACTERISTICS	COLOR	MIN	TYP	MAX	UNITS	TEST CONDITIONS
LUMINOUS INTENSITY	TRUE GREEN	280		710	mcd	I <sub>F</sub> = 10 mA
FORWARD VOLTAGE	TRUE GREEN	2.7	3.0	3.7	V	I <sub>F</sub> = 10 mA
REVERSE CURRENT	TRUE GREEN		0.01	10	µA	V <sub>R</sub> = 5 V
DOMINANT WAVELENGTH	TRUE GREEN	523	532	541	nm	I <sub>F</sub> = 10 mA
PEAK WAVELENGTH	TRUE GREEN		523		nm	I <sub>F</sub> = 10 mA
VIEWING ANGLE	TRUE GREEN		30		Degree	

ABSOLUTE MAXIMUM RATING AT 25°C AMBIENT		
CHARACTERISTICS	TRUE GREEN	UNITS
POWER DISSIPATION	80	mW
FORWARD CURRENT	20	mA
REVERSE VOLTAGE	5	V
OPERATING TEMPERATURE	-55 TO +100	°C
STORAGE TEMPERATURE	-55 TO +100	°C

**RoHS COMPLIANT 521-9985F**

Part Numbers with the "F" suffix ending are RoHS Compliant. Packaging is marked with "RoHS Compliant" label or equivalent markings. Parts can be wave soldered, dip soldered or hand soldered using typical lead-free soldering process with max 260°C temp. for 5 sec.

NOTES:

- LENS COLOR: WATER CLEAR
- DIE: InGaN
- APPROXIMATE WEIGHT: 15g
- OPTICAL EFFICIENCY: 8 lm/W
- PLATING ON LEADS: 8.0±2.0 µm PURE TIN (Sn) OVER 0.5-1.0 µm NICKEL (Ni) ON COPPER (Cu).
- LEAD SPACING IS MEASURED NEAR EPOXY PACKAGE.
- PIN NUMBERS FOR REFERENCE ONLY; DESIGNATION NON-EXISTENT ON PART.
- SOLDERING METHODS: TTW SOLDERING
- DIALIGHT P/N: 521-9985F
- BULK PACKAGING
- THIS ASSEMBLY CONTAINS ELECTROSTATIC DISCHARGE SENSITIVE DEVICES (ESDS). MAINTAIN ALL PRECAUTIONARY MEASURES DURING ASSEMBLY, HANDLING, AND STORAGE IN ACCORDANCE WITH IPC-A-610.
- THIS PRODUCT IS RoHS COMPLIANT. EACH BAG IS MARKED WITH RoHS COMPLIANT LABEL OR EQUIVALENT MARKINGS. LED MUST BE Pb FREE.



**ATTENTION:**  
OBSERVE PRECAUTIONS FOR  
HANDLING ELECTROSTATIC  
SENSITIVE DEVICES

THIS DRAWING AND THE CONTENTS HEREIN ARE CONFIDENTIAL AND THE SOLE PROPERTY OF DIALIGHT. REPRODUCTION OF THIS DRAWING OR CONSTRUCTION OF ANY PARTS WITHIN THIS DRAWING ARE FORBIDDEN WITHOUT THE WRITTEN CONSENT OF DIALIGHT.		
SCALE: 6.000	DRAWING NUMBER	REV
ALL DIM'S IN: INCHES (MM)	C-17599	A
TOLERANCES: UNLESS OTHERWISE SPECIFIED	TITLE 3mm LED, NON-DIFFUSED, TRUE GREEN RoHS COMPLIANT	
FRACTIONS: ±1/64	MATERIAL	
DECIMALS (.XX): ±.01	Dialight	
DECIMALS (.XXX): ±.005	1501 ROUTE 34 SOUTH FARMINGDALE, NJ 07727	
DECIMALS (.XXXX): ±.0005	SHEET 1 OF 1 FAMILY TABLE:	
ANGLES: ±1°	FSCM 83330	
FINISH:		