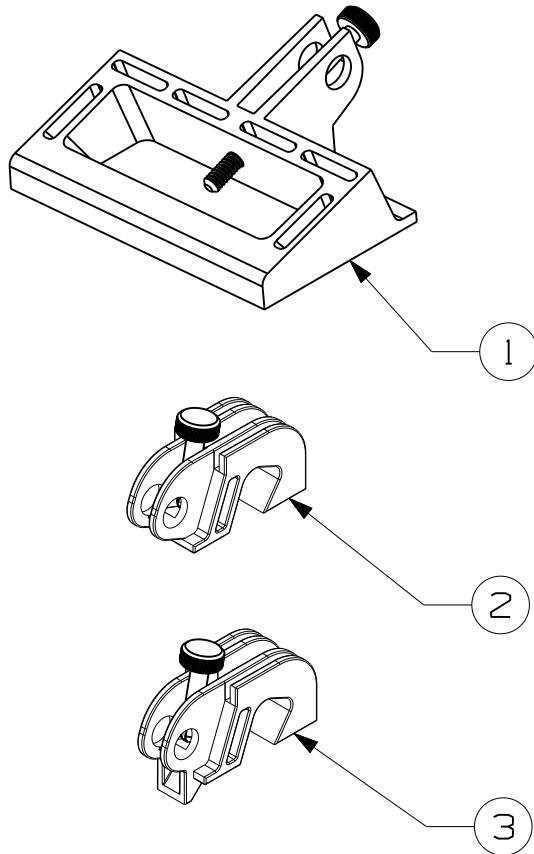


THIS COPY IS PROVIDED ON A RESTRICTED BASIS AND IS NOT TO BE USED IN ANY WAY DETRIMENTAL TO THE INTERESTS OF PANDUIT CORP.

Item No.	QTY.	PART NO.	DESCRIPTION
1	1	PSL-CBL	Large Handle Circuit Breaker Lockout
2	1	PSL-CBNT	No-Tool Circuit Breaker Lockout Device, Red
3	1	PSL-CB1LNT	No-Tool 1-Line Circuit Breaker Lockout Device, Red



CAD FILENAME/LAYERS 100295FK-DC-C10865/00A

REV	DATE	BY	CHK	DESCRIPTION	ECN	R	CUST	SUP
0	10/18/10	RVU		DRAWING RELEASE.	6177	R		

<h1>PANDUIT</h1> <p>CORP. TINLEY PARK, ILLINOIS</p>	
<p>CUSTOMER DRAWING PSL-CBKIT CIRCUIT BREAKER DEVICES KITS</p>	
<p>UNLESS OTHERWISE SPECIFIED, DIMENSIONAL TOLERANCES ARE: (.X) ± (.XXX) ± (.XX) ± ANGLES ±</p>	<p>UNLESS OTHERWISE SPECIFIED, ALL DIMENSIONS ARE GIVEN IN INCHES, THIRD ANGLE PROJECTION.</p>
<p>DRAWN BY RVU</p> <p>DATE 10/18/10</p> <p>CHK'D</p>	<p>MAT'L: SEE TABLE</p>
<p>SCALE NTS</p>	
<p>DRAWING NO. C10865</p>	
<p>DWG SIZE A</p>	