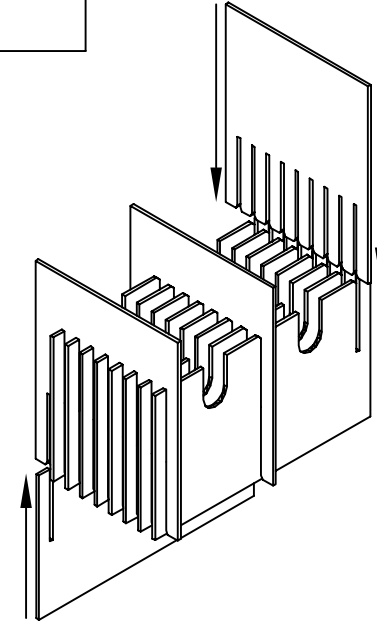
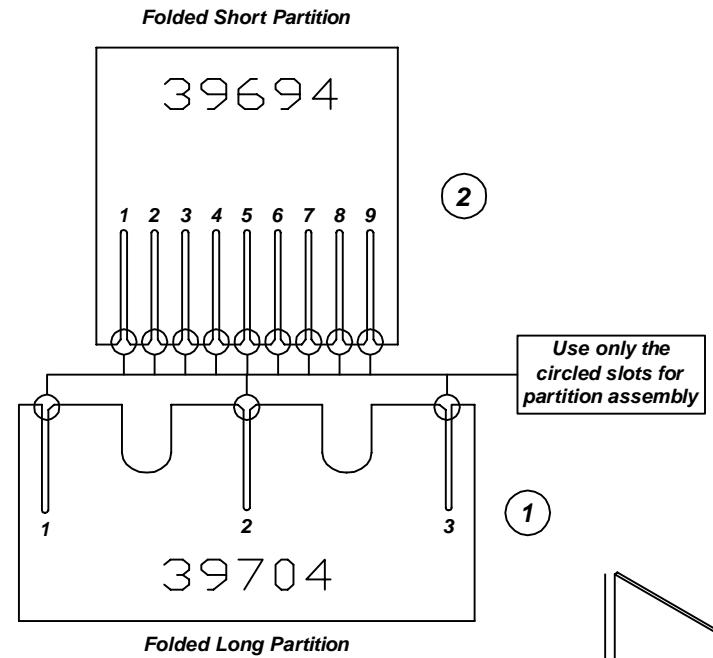
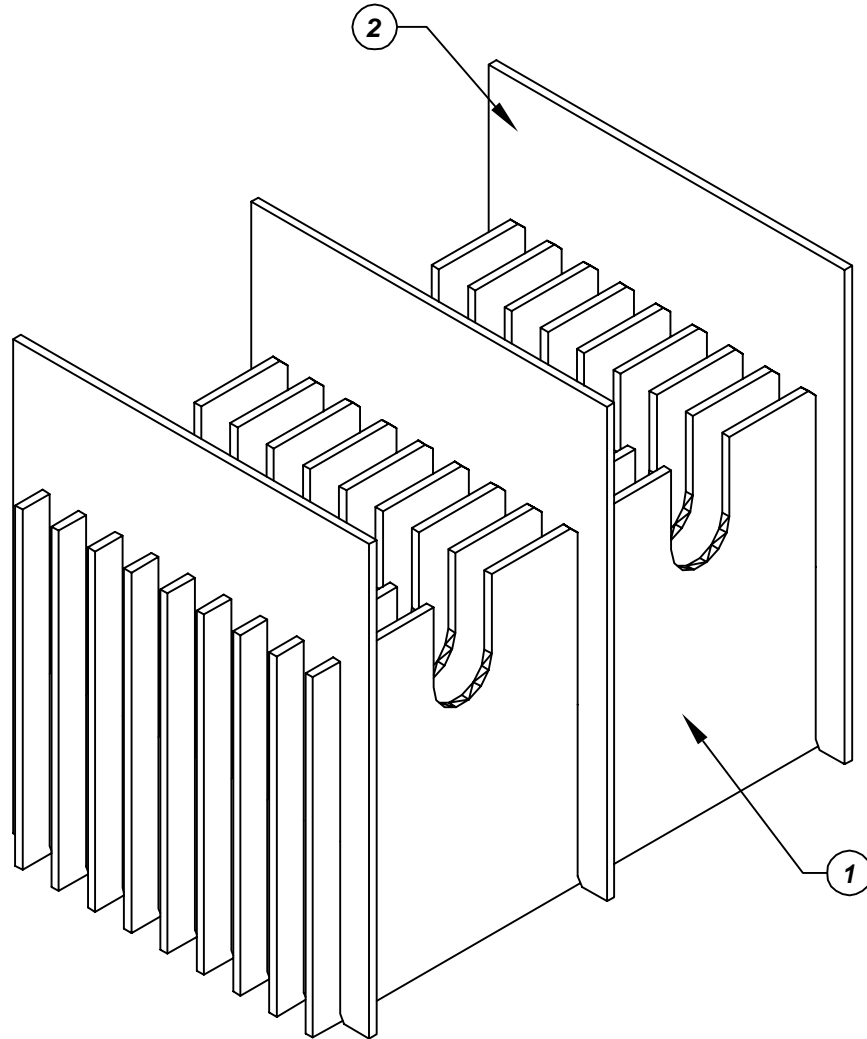


Assembly Instructions for - 37313



Made in America

F/N ①	Part # 39704	Dimensions: 21-3/4" x 18-1/2"	Description: 459/452/455-LP Long Partition	Qty: 9
F/N ②	Part # 39694	Dimensions: 29-3/4" x 12-1/4"	Description: 455-SP Short Partition	Qty: 3

37313 - 20 Cell Inplant Handler Cell Size - 14-3/4" x 7-3/4" x 1"

Notes:
For use with the following storage container & lid:
37519 - Storage Container
37553 - Lid

PROTEKTIVE PAK
13520 MONTE VISTA AVENUE, CHINO, CA 91710
PHONE (909) 627-2578, FAX (909) 363-7331
ProtektivePak.com



DRAWING NUMBER
IPH-37313

DATE
Dec. 2007