



PART NAME

NEMA 4X PLASTIC BOX (PTS SERIES)

PART No.

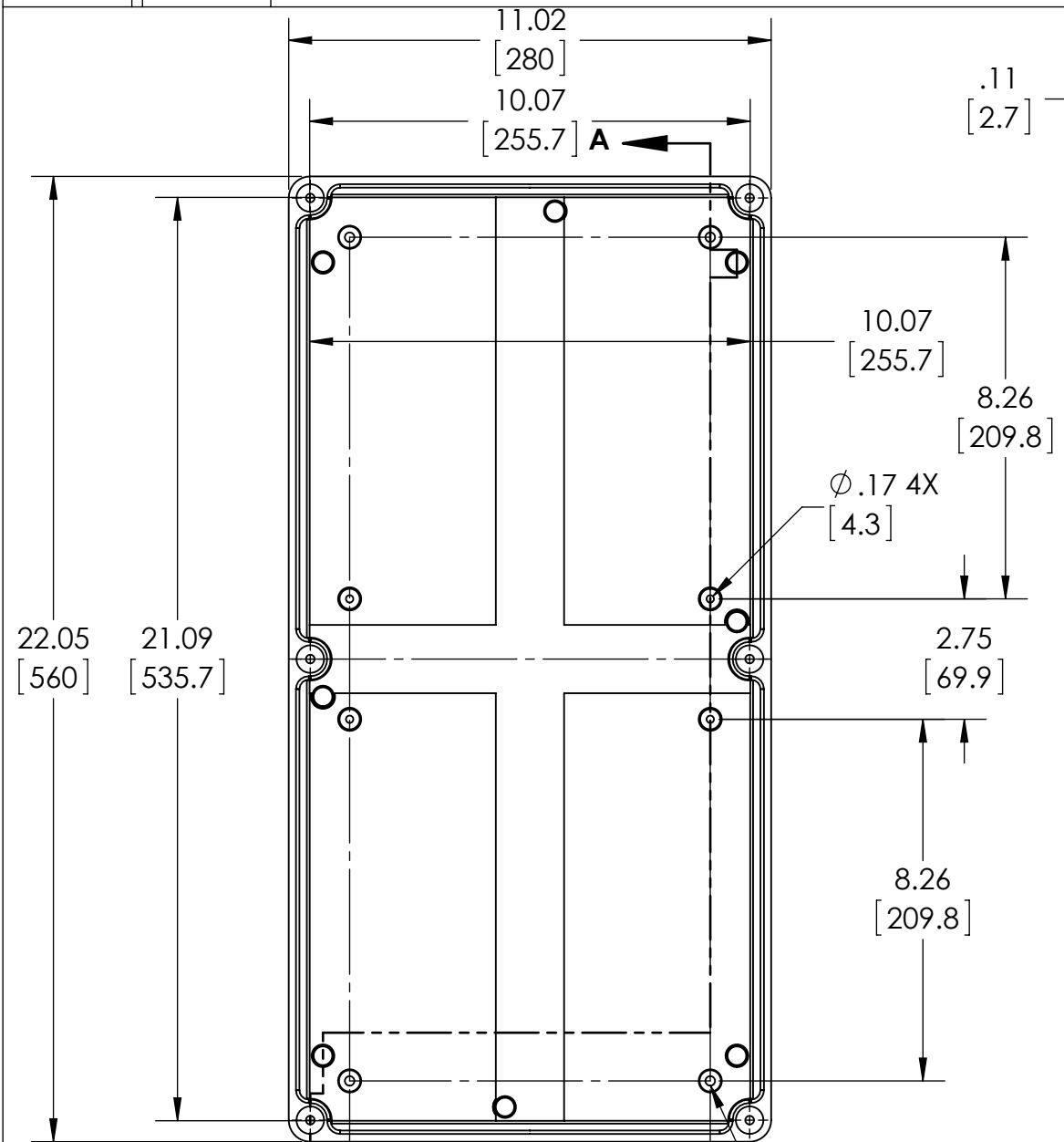
PTS-25349 & PTS-25349-C

REVISION DATE

4-22-16

DRAWING FOR REFERENCE

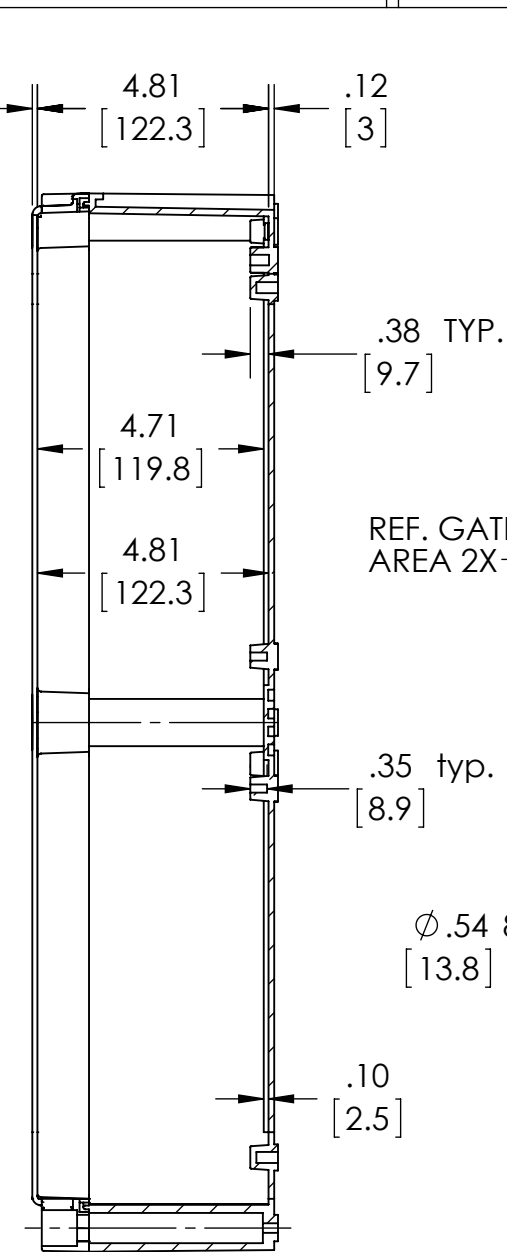
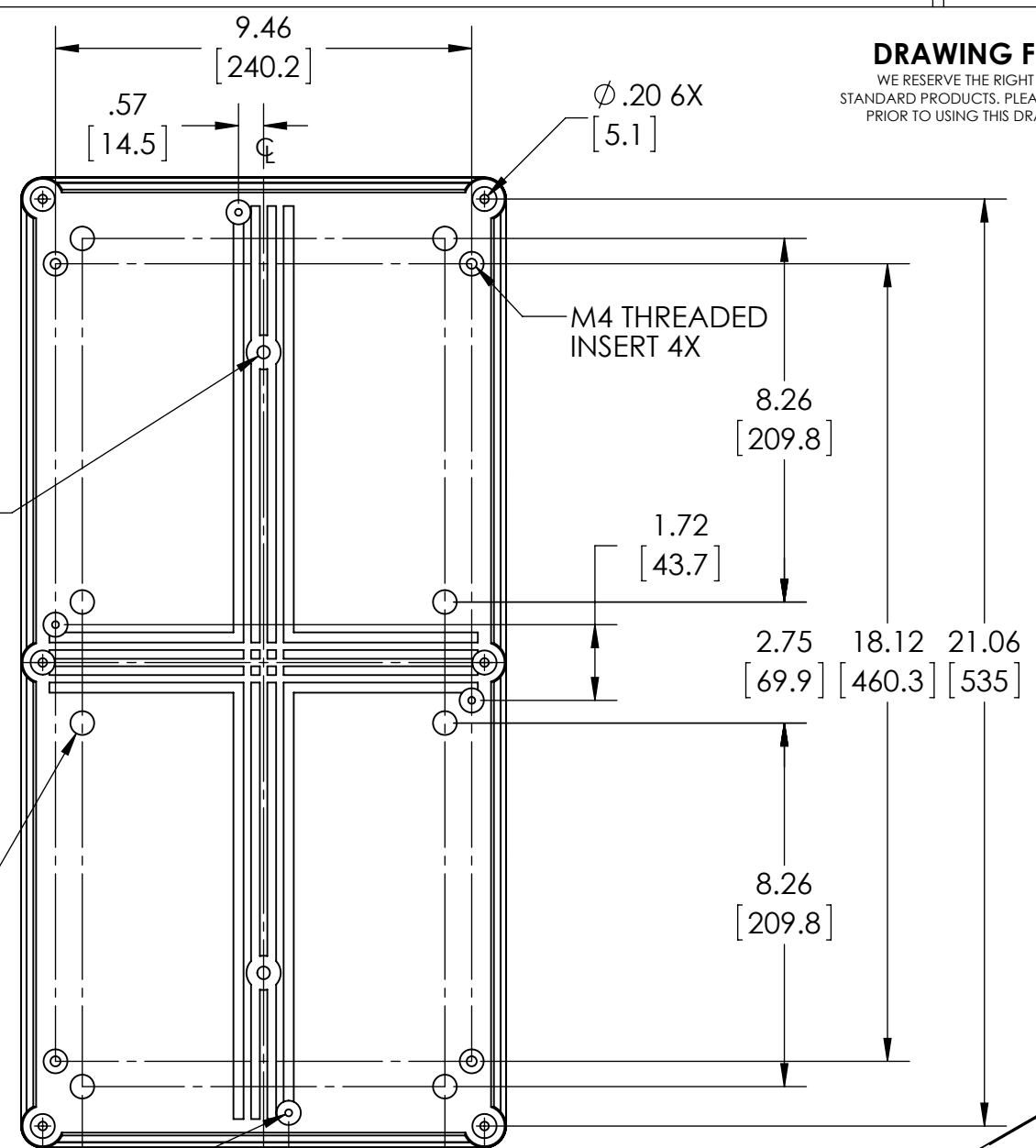
WE RESERVE THE RIGHT TO MAKE CHANGES TO OUR STANDARD PRODUCTS. PLEASE CONSULT WITH BUD INDUSTRIES PRIOR TO USING THIS DRAWING FOR DESIGN PURPOSE.



COVER NOT SHOWN

M4 THREADED
INSERT 4X ON
THE ENDS

SECTION A-A

REF. GATE
AREA 2XM4 THREADED
INSERT 4X

NOTES:

- 1- MATERIAL: BODY - POLYCARBONATE WITH 10% FIBERGLASS
COVER - POLYCARBONATE
- 2- COLOR: NO SUFFIX - GRAY BODY & GRAY COVER
(-C) SUFFIX - GRAY BODY & CLEAR COVER
- 3- COVER ATTACHES WITH NON-METALLIC CAPTIVE SCREWS
(ITEMS NOT SHOWN)
- 4- SUPPLIED WITH FOUR M4 x 10mm LG. PAN HEAD SCREWS
(ITEMS NOT SHOWN)
- 5- DIMENSIONS ARE INCH [MM]

OPTIONAL ACCESSORIES:

- STEEL EXTERNAL BRACKET #NBX-10922
- PLASTIC EXTERNAL BRACKET #PIX-4117

