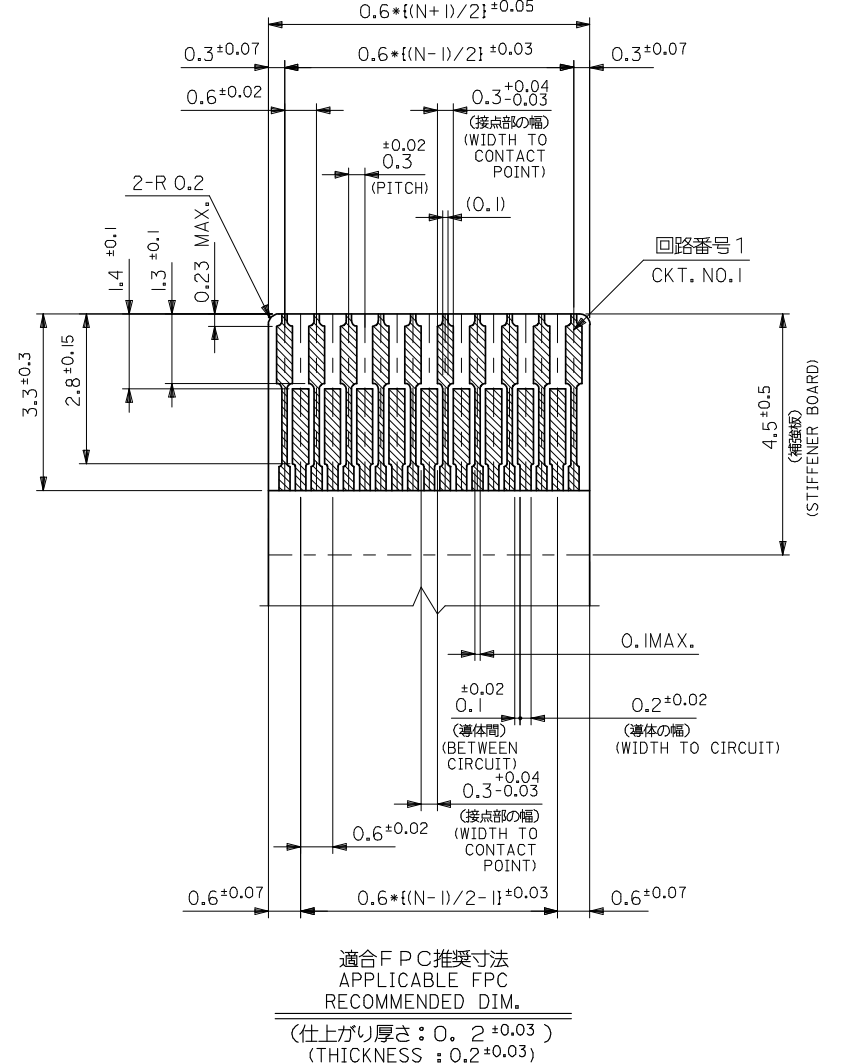
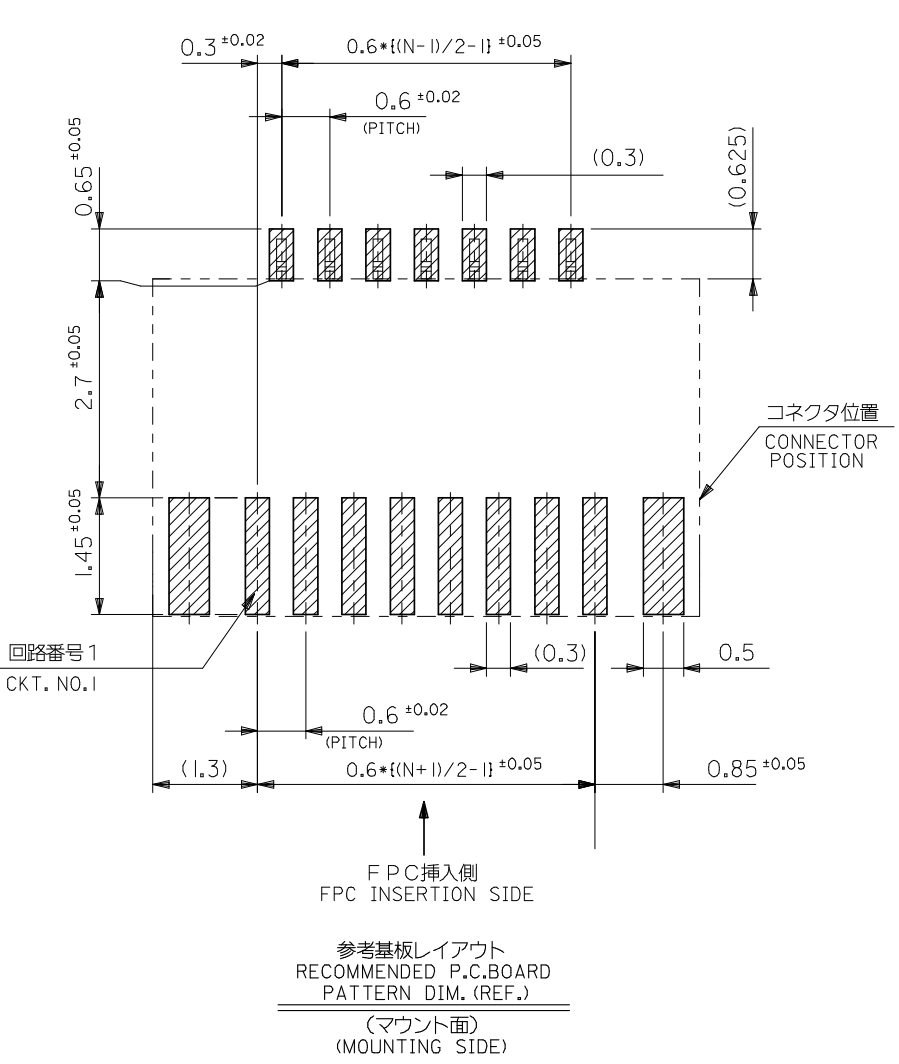


15.6	15.0	14.4	17.6	54809-5198	54809-5128	51
15.0	14.4	13.8	17.0	54809-4998	54809-4928	49
13.8	13.2	12.6	15.8	54809-4598	54809-4528	45
12.0	11.4	10.8	14.0	54809-3998	54809-3928	39
10.8	10.2	9.6	12.8	54809-3598	54809-3528	35
10.2	9.6	9.0	12.2	54809-3398	54809-3328	33
9.6	9.0	8.4	11.6	54809-3198	54809-3128	31
8.4	7.8	7.2	10.4	54809-2798	54809-2728	27
7.8	7.2	6.6	9.8	54809-2598	54809-2528	25
7.2	6.6	6.0	9.2	54809-2398	54809-2328	23
6.6	6.0	5.4	8.6	54809-2198	54809-2128	21
6.0	5.4	4.8	8.0	54809-1998	54809-1928	19
4.8	4.2	3.6	6.8	54809-1598	54809-1528	15
3.6	3.0	2.4	5.6	54809-1198	54809-1128	11
D	C	B	A	EMBOSSED TAPE		MATERIAL NO.
				ORDER No. オーダー番号		CKT.

注記 NOTES

- 使用材料 MATERIAL
ハウジング HOUSING : LCP , UL94V-0
アクチュエータ ACTUATOR : PA 46 , UL94V-0
ターミナル : リン青銅 (t=0.12) , 鍍・ピスマス (2%) , ニッケル下地
TERMINAL PHOSPHOR BRONZE , TIN- 2% BISMUTH OVER NICKEL PLATING.
金具 : リン青銅 (t=0.2) , 鍍メッキ , ニッケル下地
STOPPER PHOSPHOR BRONZE , TIN OVER NICKEL PLATING.
- ソルダーテール半田付け面のスレ量は、基準面 [R] に対し、上方0MAX. 下方向0.1MAX. とする。又、相互のバラツキ量は0.1MAX. とする。
MISALIGNMENT OF SOLDER TAILS AND FITTING NAILS FROM [R] UPPER DIRECTION : 0 MAX. , LOWER DIRECTION : 0.1 MAX. OFFSET BETWEEN SOLDER TAILS AND FITTING NAILS : 0.1 MAX.
- 一般公差 : ±0.3
GENERAL TOLERANCES : ±0.3
- 本製品は54809-**27の鉛フリー品である。
THIS PRODUCT IS LEAD FREE OF 54809-**27

REVISED EC NO: J2008-4026 DR: M. NABEI 2008/05/27 CH: K. THARUYAMA 2008/05/27 APPR: N. KUNITA 2008/05/27	GENERAL TOLERANCES (UNLESS SPECIFIED)		DIMENSION STYLE MM ONLY		SCALE ---	DESIGN UNITS METRIC	THIRD ANGLE PROJECTION	
	10 UNDER	± ---	DRAWN BY M. NABEI	DATE '03/12/22	TITLE 0.3 FPC CONN E/O HSG ASSY (H=1.3) -LEAD FREE-			
	10 OVER 30 UNDER	± ---	CHECKED BY K. TOJO	DATE '03/12/22	MOLEX INCORPORATED			
	30 OVER	± ---	APPROVED BY M. SASAO	DATE '03/12/22	MATERIAL NO.	DOCUMENT NO. SD-54809-036	SHEET NO. 1 OF 2	
	ANGULAR	± --- °	DRAFT WHERE APPLICABLE MUST REMAIN WITHIN DIMENSIONS		THIS DRAWING CONTAINS INFORMATION THAT IS PROPRIETARY TO MOLEX INCORPORATED AND SHOULD NOT BE USED WITHOUT WRITTEN PERMISSION			



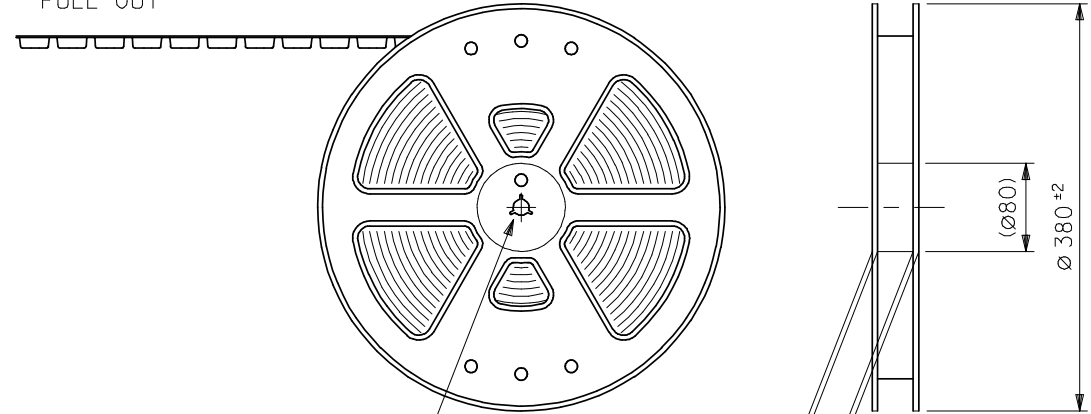
FPCについて:
 打抜き方向は、導体側から補強板側を推奨いたします。
 補強フィルム材質は、ポリイミドを推奨いたします。
 接着剤は、熱硬化接着剤を推奨いたします。

ABOUT FPC
 RECOMMENDED PUNCHER DIRECTION : FROM CONDUCTOR SIDE TO STIFFENER BOARD SIDE.
 RECOMMENDED MATERIAL
 STIFFENER FILM : POLYIMIDE
 BONDING AGENT : TERMOSETTING BONDING AGENT

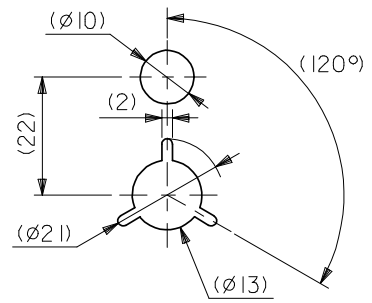
REVISED EC NO: J2008-4026 DRWN: NABEI 2008/05/27 CHKD: THARUYAMA 2008/05/27 APPR: NUKITA 2008/05/27	GENERAL TOLERANCES (UNLESS SPECIFIED)		DIMENSION STYLE MM ONLY		SCALE ---	DESIGN UNITS METRIC	THIRD ANGLE PROJECTION	
	10 UNDER	± ---	DRAWN BY M. NABEI	DATE '03/12/22	TITLE 0.3 FPC CONN E/O HSG ASSY (H=1.3) -LEAD FREE-			
	10 OVER 30 UNDER	± ---	CHECKED BY K. TOJO	DATE '03/12/22	APPROVED BY M. SASAO '03/12/22			
	30 OVER	± ---	MATERIAL NO. SEE SHEET 1		DOCUMENT NO. SD-54809-036		SHEET NO. 2 OF 2	
	ANGULAR ± --- °		DRAFT WHERE APPLICABLE MUST REMAIN WITHIN DIMENSIONS					

F

引き出し方向
PULL OUT



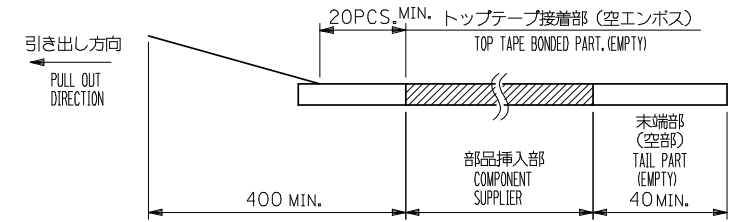
"F"



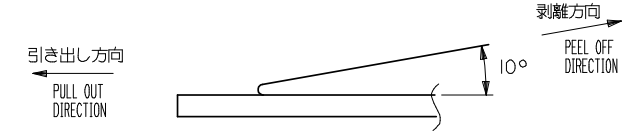
DETAIL "F"

注記 NOTES

- 製品詳細寸法については、図面SD-54809-036を参照下さい。
RE DETAILED DIMENSION, SEE SD-54809-036.
- 梱包数量：2500個/リール
NUMBER OF CONNECTORS : 2500PCS/REEL
- リードテープ長さ LEAD TAPE LENGTH



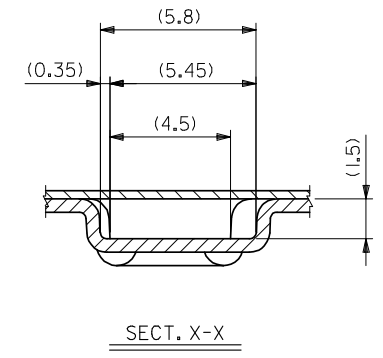
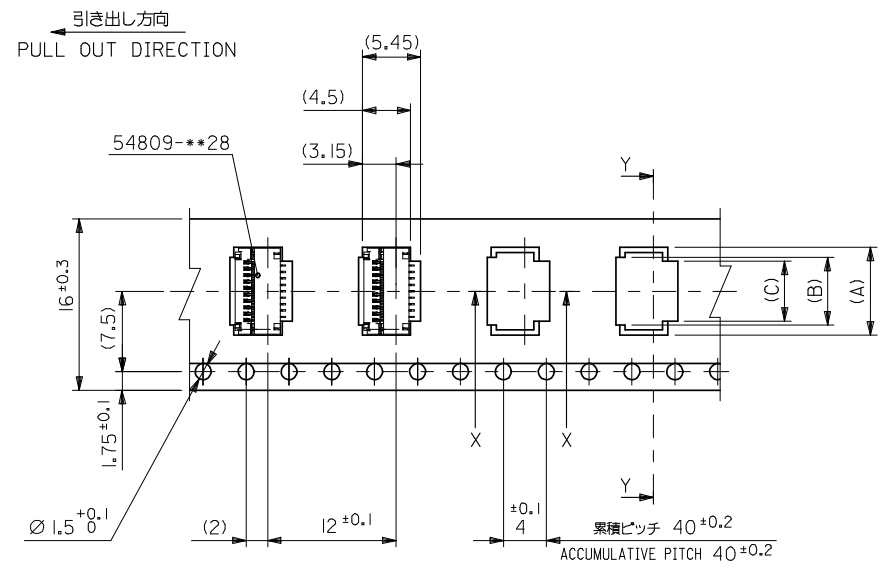
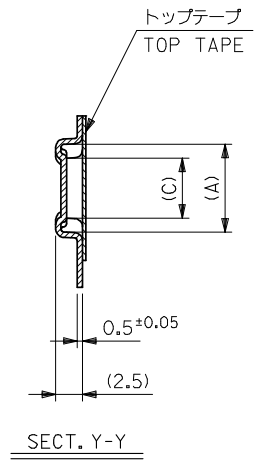
- トップテープの剥離強度：0.1 ~ 1.3N (10 ~ 130gf)
(剥離方向は下図参照)
尚、本規格値は出荷時に適用。(但し、輸送時に剥離が発生しないこと。)
PEELING OFF FORCE OF TOP TAPE : 0.1 ~ 1.3N (10 ~ 130gf)
(PEELING DIRECTION AS SHOWN IN FOLLOWING FIG.)
THIS REQUIREMENT SHOULD BE APPLIED AT SHIPMENT.
PEEL OFF SHOULD NOT BE ALLOWED, DURING TRANSPORTATION.



- 材料 (MATERIAL)
キャリアテープ (CARRIER TAPE) : ポリプロピレン (POLYPROPYLENE)
トップテープ (TOP TAPE) : PET, PE, PEF
リール (REEL) : ポリスチレン (PS) <リサイクル材を含む>
POLYSTYRENE(PS) <RECYCLE MATERIAL CONTAINED>
- 本製品は54809-**-91の鉛フリー品である。
THIS PRODUCT IS LEAD FREE OF 54809-**-91

A

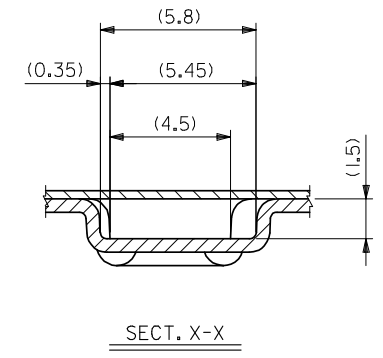
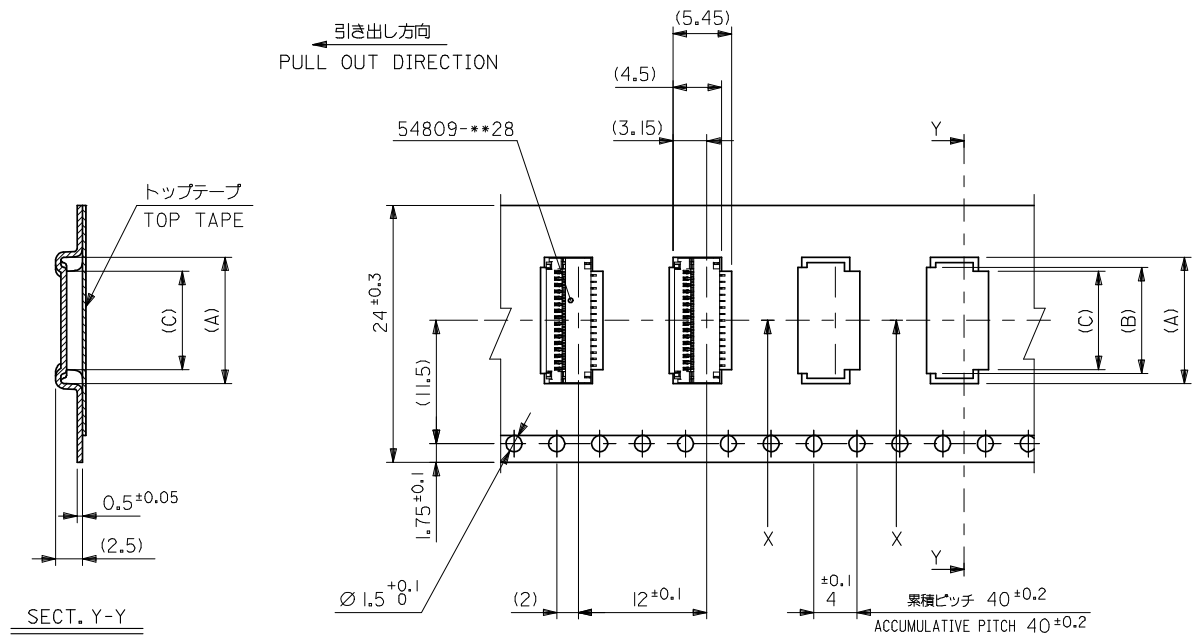
REVISED EC NO: J2008-4026 DRWN: NABEI 2008/05/27 CHKD: THARUYAMA 2008/05/27 APPR: NUKITA 2008/05/27	GENERAL TOLERANCES (UNLESS SPECIFIED)		DIMENSION STYLE MM ONLY		SCALE ---	54809-**98	MODEL NO.
	10 UNDER ±---		DRAWN BY DATE M. NABEI '03/12/22		TITLE EMBSTP PKG FOR 0.3 FPC CONN E/O -LEAD FREE-	DESIGN UNITS METRIC	THIRD ANGLE PROJECTION
	10 OVER 30 UNDER ±---		CHECKED BY DATE K. TOJO '03/12/22			MOLEX INCORPORATED	
	30 OVER ±---		APPROVED BY DATE M. SASAO '03/12/22		MATERIAL NO.	DOCUMENT NO.	SHEET NO.
	ANGULAR ±--- °		DRAFT WHERE APPLICABLE MUST REMAIN WITHIN DIMENSIONS		SEE TABLE	SD-54809-037	1 OF 4
B	THIS DRAWING CONTAINS INFORMATION THAT IS PROPRIETARY TO MOLEX INCORPORATED AND SHOULD NOT BE USED WITHOUT WRITTEN PERMISSION						



16mm幅キャリアテープ
16mm WIDTH CARRIER TAPE

16	21.4	17.4	6.8	7.5	9.4	54809-2398	23
			6.2	6.9	8.8	54809-2198	21
			5.6	6.3	8.2	54809-1998	19
			4.4	5.1	7.0	54809-1598	15
			3.2	3.9	5.8	54809-1198	11
キャリアテープ幅 CARRIER TAPE WIDTH	E	D	C	B	A	MATERIAL NO.	種数 CKT.

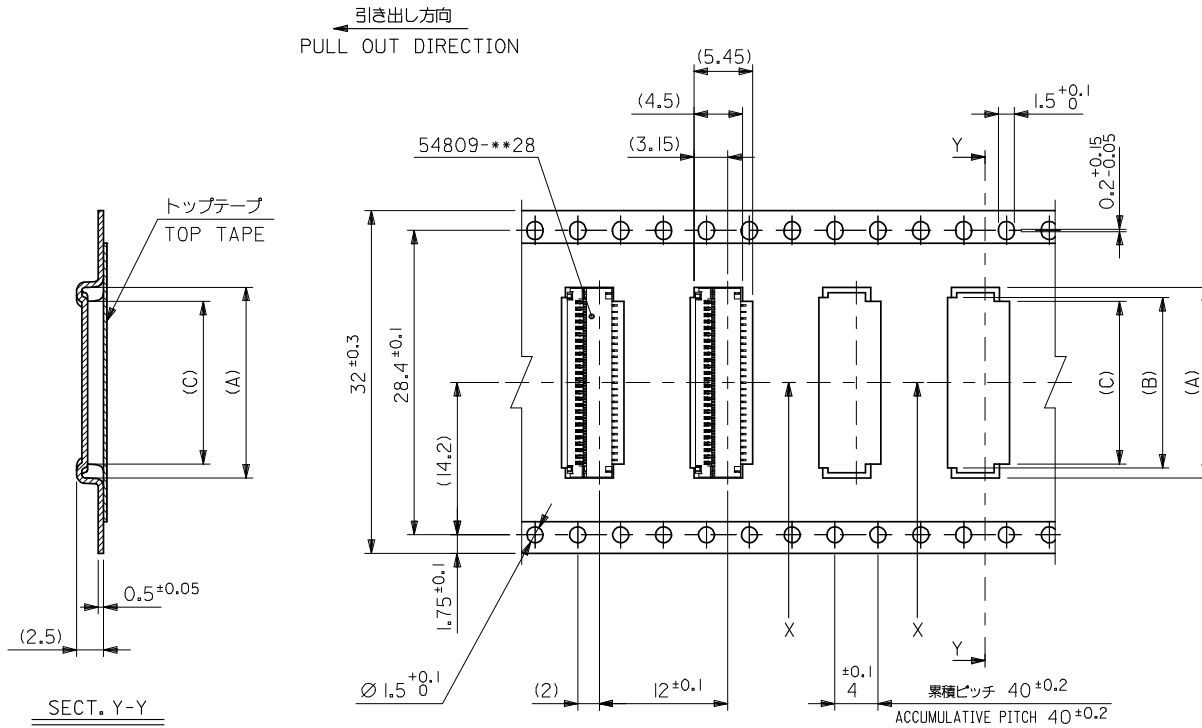
REVISED EC NO: J2008-4026 DRWN: NABEI 2008/05/27 CHKD: THARUYAMA 2008/05/27 APPR: NUKITA 2008/05/27	GENERAL TOLERANCES (UNLESS SPECIFIED)		DIMENSION STYLE	SCALE	DESIGN UNITS	MODEL NO.		
	10 UNDER ± ---		MM ONLY	---	METRIC	54809-***98		
	10 OVER 30 UNDER ± ---		DRAWN BY DATE	TITLE				
	30 OVER ± ---		M. NABEI '03/12/22	EMBSTP PKG FOR 0.3 FPC CONN E/O -LEAD FREE-				
	ANGULAR ± --- °		CHECKED BY DATE	MOLEX INCORPORATED				
DRAFT WHERE APPLICABLE MUST REMAIN WITHIN DIMENSIONS		M. TOJO '03/12/22	MATERIAL NO.		DOCUMENT NO.		SHEET NO.	
		APPROVED BY DATE	SEE TABLE		SD-54809-037		2 OF 4	
		M. SASAO '03/12/22	THIS DRAWING CONTAINS INFORMATION THAT IS PROPRIETARY TO MOLEX INCORPORATED AND SHOULD NOT BE USED WITHOUT WRITTEN PERMISSION					



24mm幅キャリアテープ
24mm WIDTH CARRIER TAPE

24	29.4	25.4	13.4	14.1	16.0	54809-4598	45
			11.6	12.3	14.2	54809-3998	39
			10.4	11.1	13.0	54809-3598	35
			9.8	10.5	12.4	54809-3398	33
			9.2	9.9	11.8	54809-3198	31
			8.0	8.7	10.6	54809-2798	27
			7.4	8.1	10.0	54809-2598	25
キャリアテープ幅 CARRIER TAPE WIDTH	E	D	C	B	A	MATERIAL NO.	種別 CKT.

REVISED EC NO: J2008-4026 DRWN: NABEI 2008/05/27 CH'KD: THARUYAMA 2008/05/27 APPR: NUKITA 2008/05/27	GENERAL TOLERANCES (UNLESS SPECIFIED)		DIMENSION STYLE	SCALE	DESIGN UNITS	THIRD ANGLE PROJECTION		
	10 UNDER ± ---		MM ONLY	---	METRIC	◎ □		
	10 OVER 30 UNDER ± ---		DRAWN BY DATE	TITLE				
	30 OVER ± ---		M. NABEI '03/12/22	EMBSTP PKG FOR 0.3 FPC CONN E/O -LEAD FREE-				
	ANGULAR ± --- °		CHECKED BY DATE	MOLEX INCORPORATED				
DRAFT WHERE APPLICABLE MUST REMAIN WITHIN DIMENSIONS		M. SASAO '03/12/22	MATERIAL NO.	DOCUMENT NO.	SHEET NO.			
		SEE TABLE	SD-54809-037	3 OF 4				
THIS DRAWING CONTAINS INFORMATION THAT IS PROPRIETARY TO MOLEX INCORPORATED AND SHOULD NOT BE USED WITHOUT WRITTEN PERMISSION								



32mm幅キャリアテープ
32mm WIDTH CARRIER TAPE

32	37.4	33.4	15.2	15.9	17.8	54809-5198	51
			14.6	15.3	17.2	54809-4998	49
キャリアテープ幅 CARRIER TAPE WIDTH	E	D	C	B	A	MATERIAL NO.	種別 CKT.

REVISED EC NO: J2008-4026 DRW: M. NABEI CH: K. D. THARUYAMA APPR: N. KUKITA	DESCRIPTION	GENERAL TOLERANCES (UNLESS SPECIFIED)	DIMENSION STYLE	SCALE	DESIGN UNITS	MODEL NO.
	REV	10 UNDER	MM ONLY	---	METRIC	54809-***98
		10 OVER 30 UNDER	± ---	DRAWN BY	DATE	TITLE
		30 OVER	± ---	M. NABEI	'03/12/22	EMBSTP PKG FOR 0.3 FPC CONN E/O -LEAD FREE-
		ANGULAR	± --- °	CHECKED BY	DATE	
		DRAFT WHERE APPLICABLE MUST REMAIN WITHIN DIMENSIONS	APPROVED BY	DATE		
			M. SASAO	'03/12/22		
			MATERIAL NO.	DOCUMENT NO.		
			SEE TABLE	SD-54809-037		
			SIZE	THIS DRAWING CONTAINS INFORMATION THAT IS PROPRIETARY TO MOLEX INCORPORATED AND SHOULD NOT BE USED WITHOUT WRITTEN PERMISSION		
			A3			