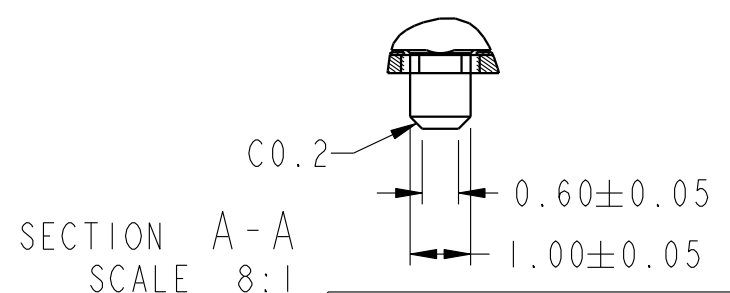
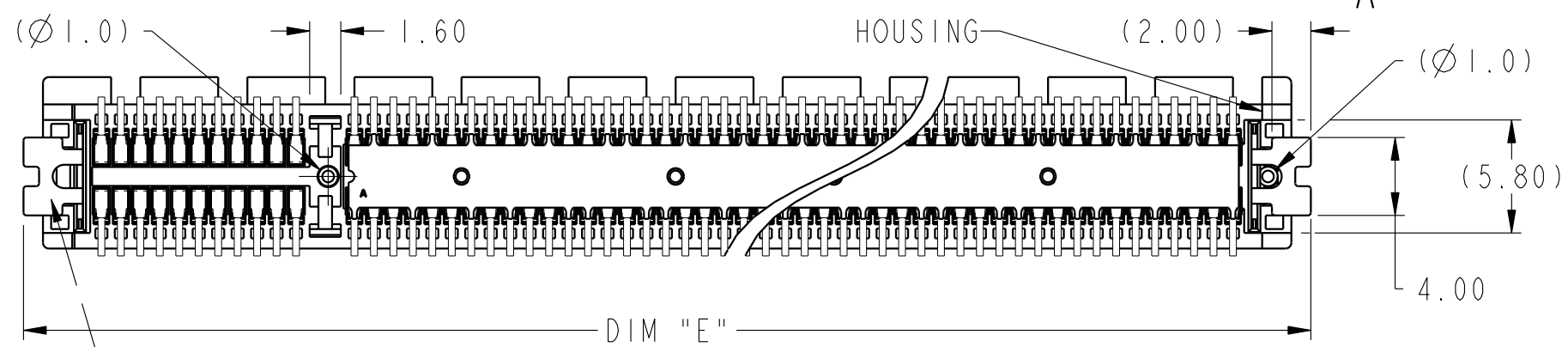
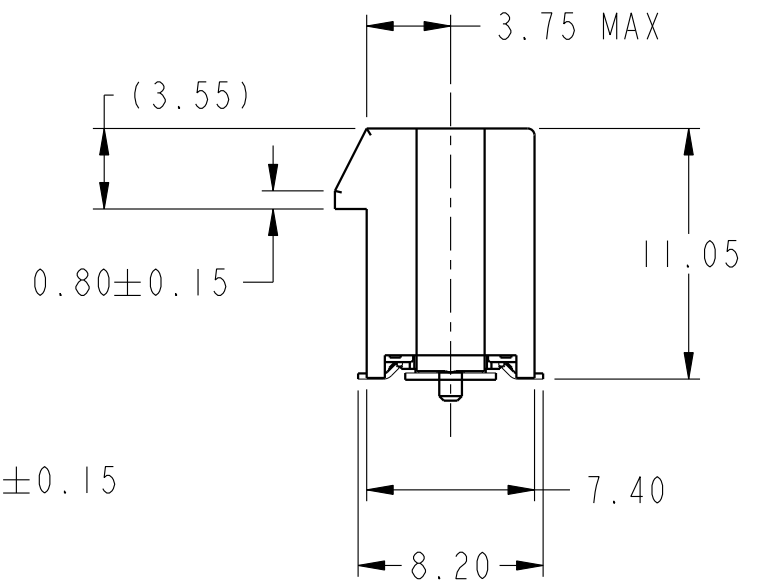
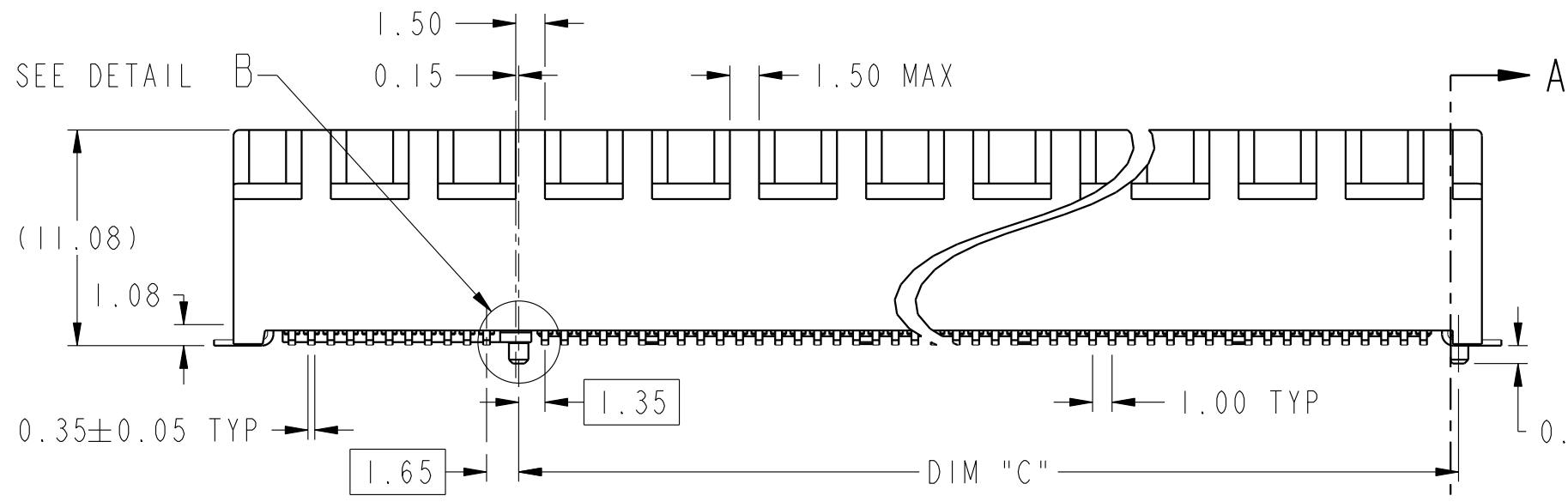
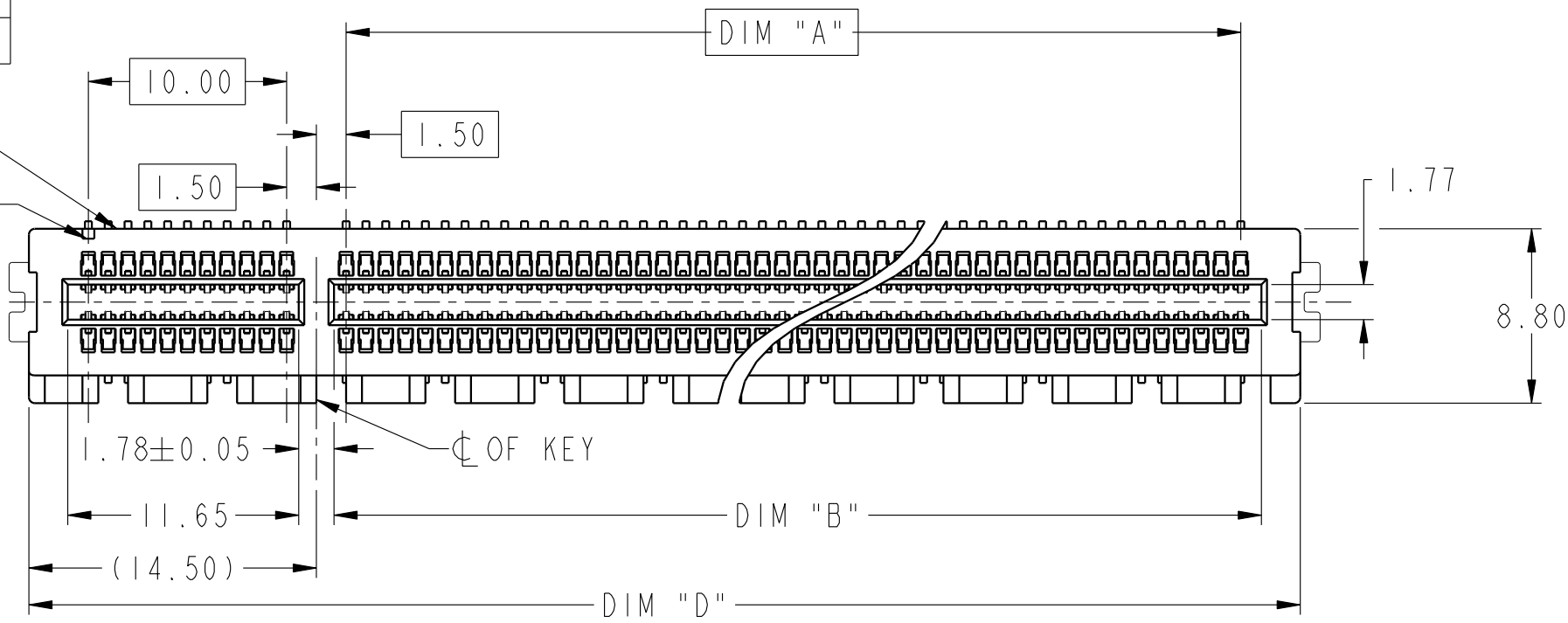


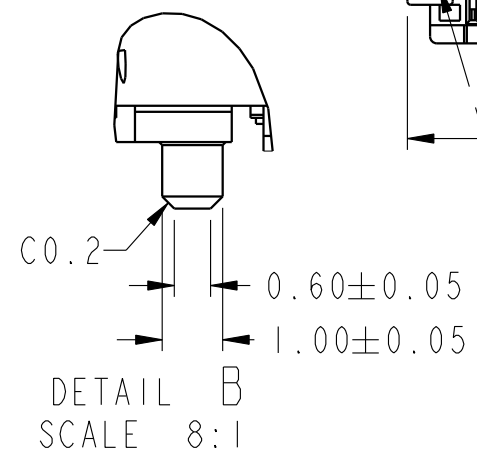
PRODUCT PARTNUMBER  
10141523-XXXX0LF

DATA CODE &  
PARTNO

#AI IDENTIFIER



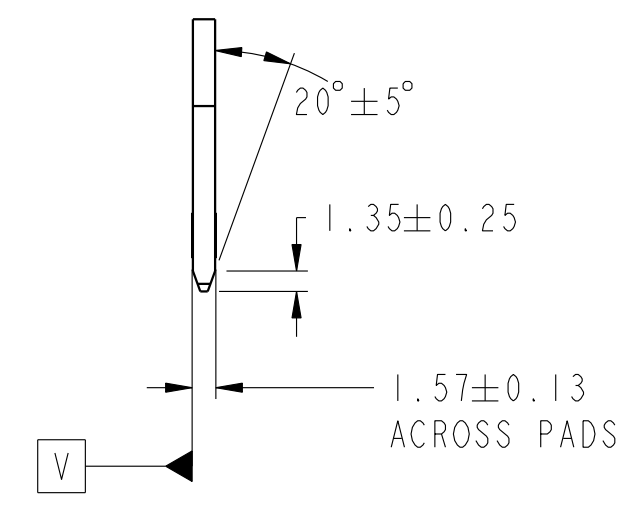
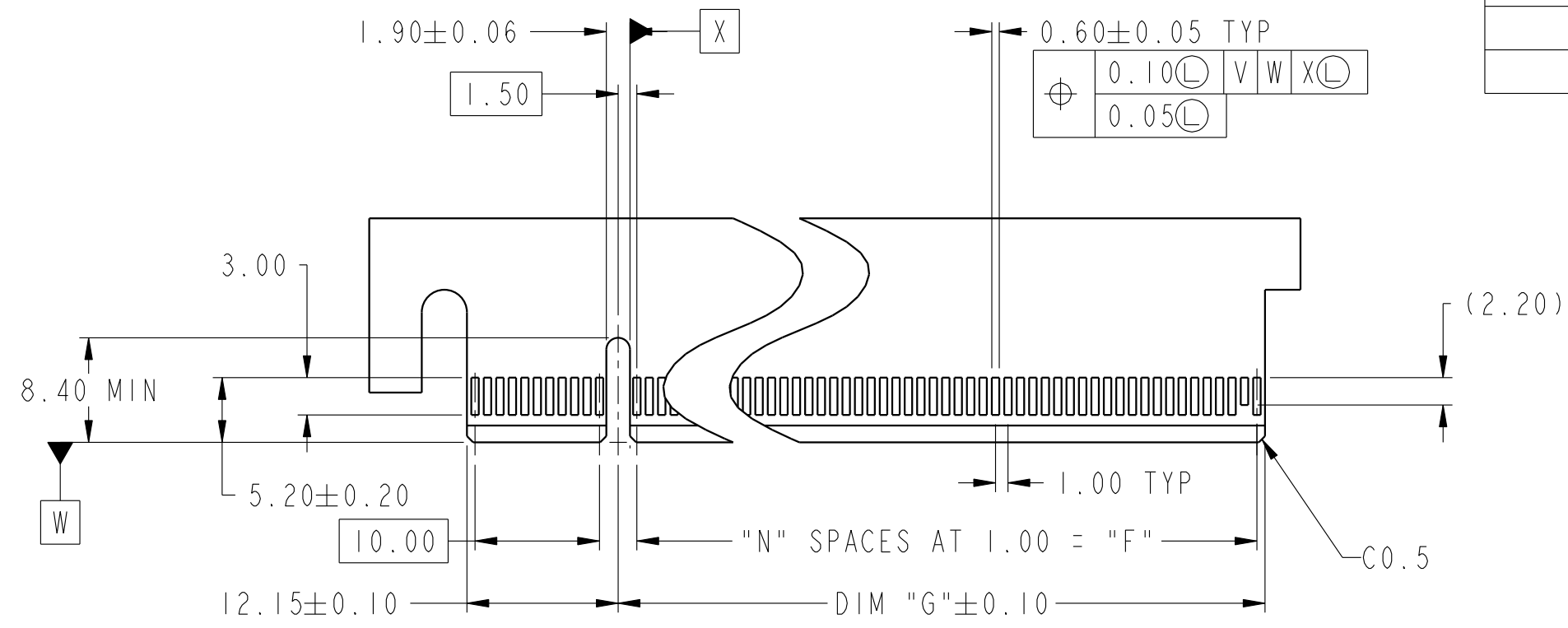
**PRELIMINARY**



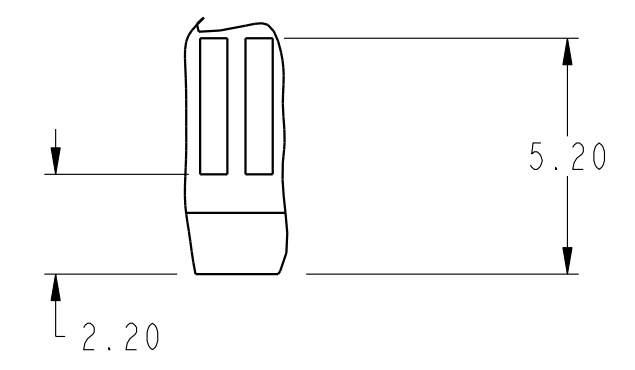
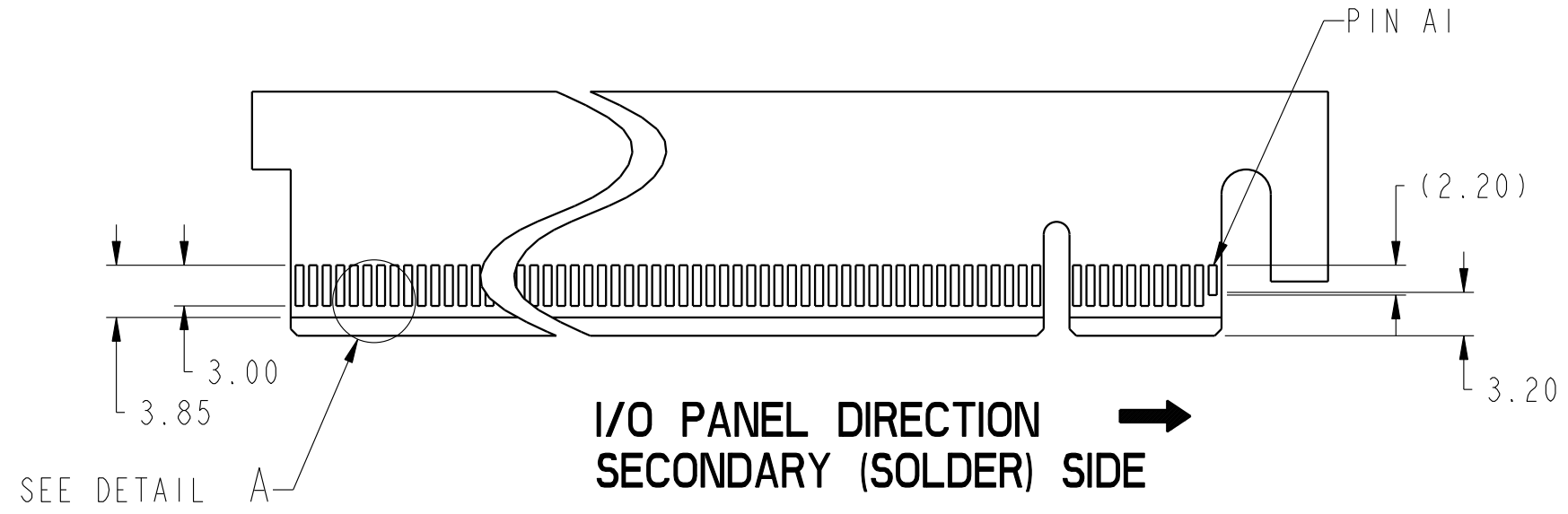
HOLDDOWN  
CLIP

spec ref	-	dr	M. Cheong	2016-04-26	projection	MM	size	A3	scale	3:1
tolerance std	ISO 406 ISO 1101	eng	M. Cheong	2017-11-22			ecn no	In Work		
surface	linear	appr					rel level	In Work		
	angular	<b>Amphenol FCI</b> www.fci.com		PCI Express Gen 5 (32Gb/s) SMT Type	product family PCI express	scale 3:1	size A3	scale 3:1	rev 8	
ISO 1302	0.X ±0.30 0.XX ±0.20 0.XXX ±0.1	cat. no.	-	Product - Customer Drw	sheet 1 of 4					

CONNECTOR LINK WIDTH	POSITION	N	DIM "G"	DIM "F"	PIN "L"
X1	36	6	8.15	6.00	B17
X4	64	20	22.15	20.00	B31
X8	98	37	39.15	37.00	B48
X16	164	70	72.15	70.00	B81



← I/O PANEL DIRECTION  
PRIMARY (COMPONENT) SIDE



DETAIL A  
SCALE 6:1

I/O PANEL DIRECTION →  
SECONDARY (SOLDER) SIDE

Amphenol  
FCi

© 2016 AFCI

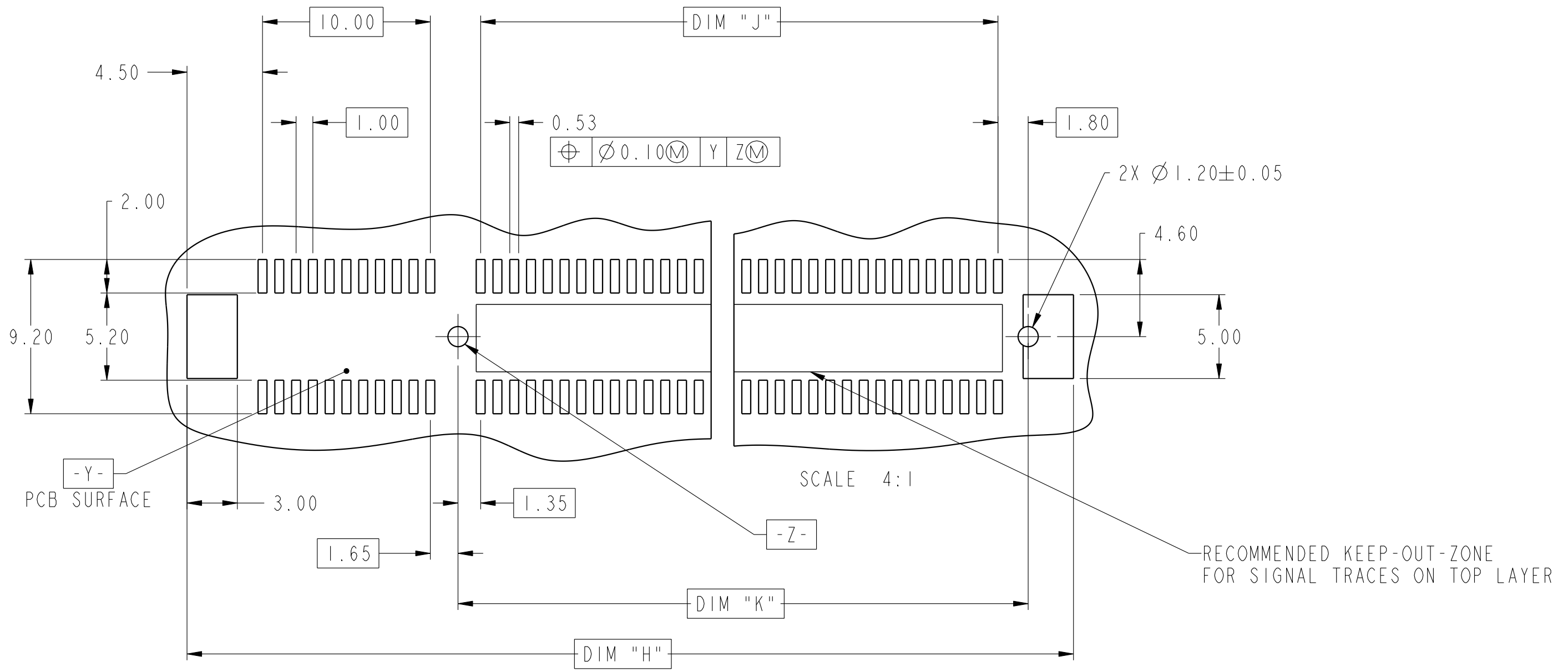
- NO TIE BAR PERMITTED FROM CARD EDGE TO LEADING EDGE OF PAD FOR PIN A1 AND PIN "L".
- CHAMFER EDGES MUST BE FREE OF CUTTING BURRS.
- TOLERANCE : ± 0.13
- CONTACT AFCI ENGINEERING FOR SI REPORT

spec ref	-	dr	M. Cheong	2016-04-26	projection	MM	size	A3	scale	2:1
tolerance std	ISO 406 ISO 1101	eng	M. Cheong	2017-11-22	product family	PCI express	ecn no		rel level	In Work
surface	linear	0.X	±0.30	Amphenol FCi	PCI Express Gen 5 (32Gb/s) SMT Type	www.fci.com	cat. no.	Product - Customer Drw	sheet 2 of 4	rev
	0.XX	±0.20								
	0.XXX	±0.1								
	angular	0°	±2°							

**PRELIMINARY**

10141523

8



DIMENSIONS								
POSITION	A	B $\begin{smallmatrix} +0.15 \\ -0.05 \end{smallmatrix}$	C $\pm 0.10$	D $\pm 0.23$	E $\pm 0.20$	H $\pm 0.10$	J	K $\pm 0.10$
36	6.00	7.65	9.15	25.00	27.00	28.00	6.00	9.15
64	20.00	21.65	23.15	39.00	41.00	42.00	20.00	23.15
98	37.00	38.65	40.15	56.00	58.00	59.00	37.00	40.15
164	70.00	71.65	73.15	89.00	91.00	92.00	70.00	73.15

**PRELIMINARY**

spec ref	-	dr	M. Cheong	2016-04-26	projection	MM	size	A3	scale	4:1
tolerance std	ISO 406 ISO 1101	eng	M. Cheong	2017-11-22	chr		ecn no			
surface	-	appr			product family	PCI express	rel level	In Work		
	linear				Amphenol FCi	PCI Express Gen 5 (32Gb/s)	dwg no	10141523	rev	8
	angular				www.fci.com	SMT Type				
					cat. no.	-	Product - Customer Drw		sheet 3 of 4	

**PRODUCT NUMBER CODE**

10141523- □□□□ 0LF

**HOUSING COLOR**

0: WHITE  
1: BLACK

**CONTACT AREA PLATING**

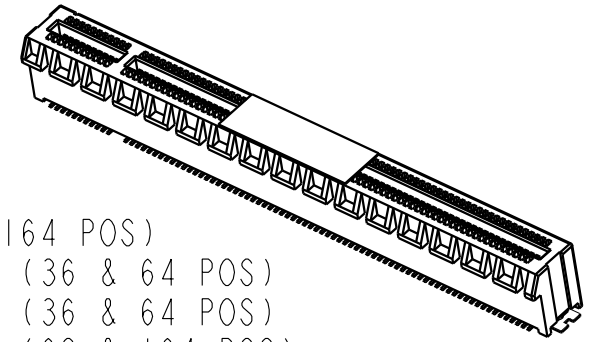
1: 30u" Au  
2: 15u" Au

**PACKAGING OPTIONS**

A: HARD TRAY (DIM: 323 x 136 x 19) WITH KAPTON TAPE (164 POS)  
 C: SOFT TRAY (DIM: 317.5 x 235 x 18) WITH PICK UP CAP (36 & 64 POS)  
 T: SOFT TRAY (DIM: 317.5 x 235 x 18) WITH KAPTON TAPE (36 & 64 POS)  
 X: HARD TRAY (DIM: 330 x 235 x 19.3) WITH PICK UP CAP (98 & 164 POS)  
 Y: HARD TRAY (DIM: 330 x 235 x 19.3 WITH KAPTON TAPE (98 & 164 POS)  
 Z: HARD TRAY (DIM: 330 x 235 x 19.3 WITH KAPTON TAPE, 86MM (164 POS)

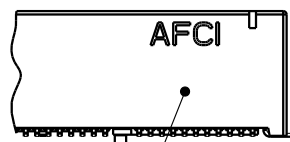
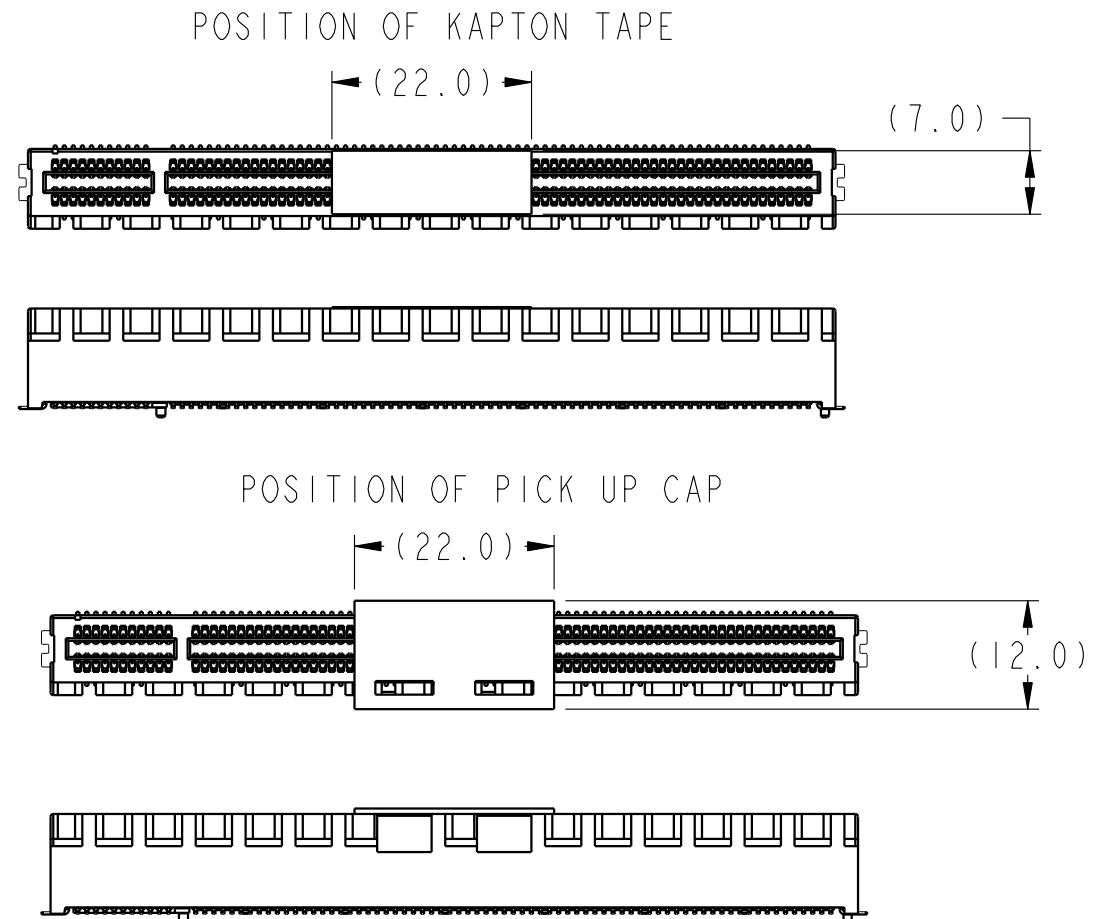
**NO. OF POSITION**

0: 36 POSITIONS  
 1: 64 POSITIONS  
 2: 98 POSITIONS  
 3: 164 POSITIONS



**NOTES:**

- MATERIAL:**  
HOUSING: HIGH PERFORMANCE RESINS, GLASS FILLED, UL94V-0  
CONTACT: COPPER ALLOY.  
METAL PADS: COPPER ALLOY
- PLATING:**  
CONTACT: UNDERPLATE: 50u" NICKEL OVER ALL.  
SOLDER AREA: 100u" TIN (LEAD FREE).  
MATING AREA: SEE PRODUCT NUMBER CODE.  
HOLDDOWN CLIP: 100u" TIN OVER 50 u" NICKEL.
- PRODUCT SPECIFICATION:** GS-12-1406
- PRODUCT MEETS EUROPEAN UNION DIRECTIVES AND OTHER COUNTRY REGULATIONS AS DESCRIBED IN GS-22-008.**
- DATE CODE "MMDDYYL", MMDDYY IS ASSEMBLY DATE. " L" IS AFCI PRODUCTION SITE.**
- THIS HOUSING WILL WITHSTAND EXPOSURE TO 260° PEAK TEMPERATURE FOR 10 SECONDS IN A CONVECTION, INFRA-RED OR VAPOR PHASE REFLOW OVEN.**



DATA CODE & PARTNO

**PRELIMINARY**

spec ref	-	dr	M. Cheong	2016-04-26	projection	MM	size	A3	scale	2:1
tolerance std	ISO 406 ISO 1101	eng	M. Cheong	2017-11-22			ecn no		rel level	
TOLERANCES UNLESS OTHERWISE SPECIFIED		chr					In Work			
surface	linear	0.X	±0.30	<b>Amphenol FCI</b> PCI Express Gen 5 (32Gb/s) SMT Type www.fci.com	product family PCI express	dwg no 10141523	rev		8	
		0.XX	±0.20				Product - Customer Drw		sheet 4 of 4	
	angular	0°	±2°							