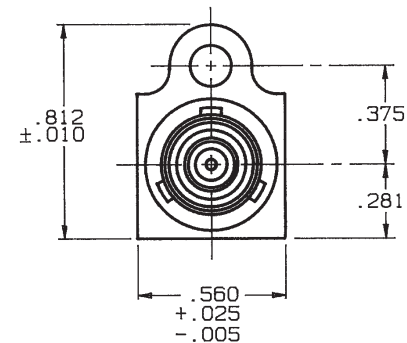
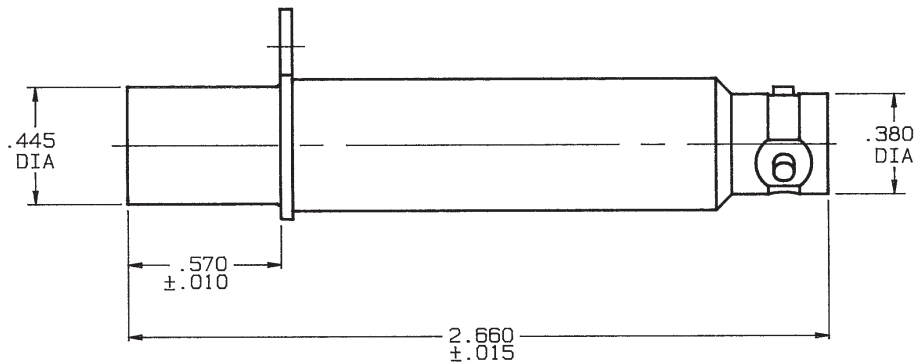
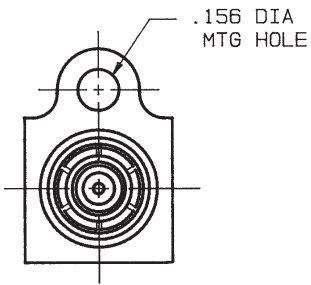


DATA CONTAINED IN THIS DOCUMENT IS PROPRIETARY TO TROMPETER ELECTRONICS INC. AND SHALL NOT BE DISCLOSED, COPIED OR USED FOR PROCUREMENT OR MANUFACTURE WITHOUT EXPRESS WRITTEN PERMISSION.

REVISIONS			3-0243	SH 1	
REV	EO	DESCRIPTION	DWN	APPROVED	DATE



INCH	MM
.005	0.13
.010	0.25
.015	0.38
.025	0.64
.156	3.96
.281	7.14
.375	9.53
.380	9.65
.445	11.30
.560	14.22
.570	14.48
.812	20.62
2.660	67.56

3. CONCENTRIC TWINAX/TRIAX PATCH JACK WITH TRB REAR ENTRY
2. FINISH: TFS-1A (NICKEL)
1. ALL DIM ARE IN INCHES

QTY	DESCRIPTION		PART NUMBER	ITEM
TOL UNLESS SPECIFIED .XX ± .XXX ± .005 .XXXX+ ANGLES+			J72L	
DWN RAG 8/17/88				
CHK <i>[Signature]</i> 10/4/88		14949	3-0243	
ENGR <i>[Signature]</i> 10/7/88				
NEXT ASSY	APPR <i>[Signature]</i> 10-10-88	SCALE 2/1	DATE 10-11-88	SHEET 1 OF 2