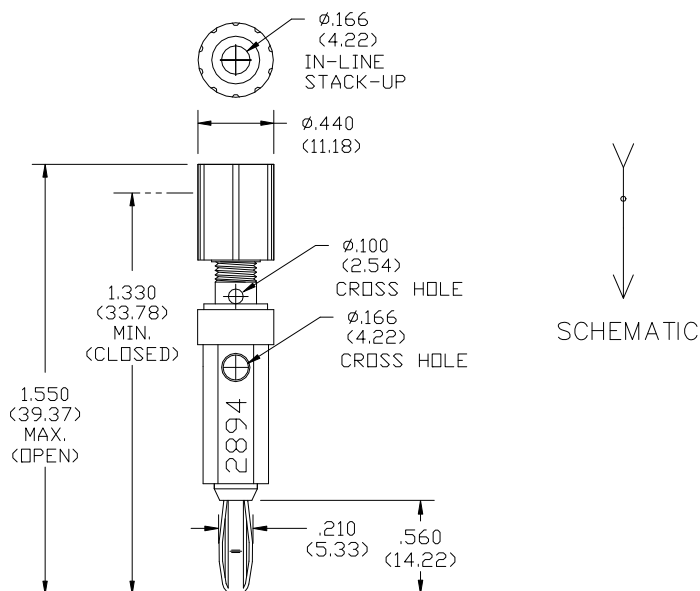


Model 2894
Binding Post to Single Banana Plug



Model 2894
Binding Post to Single Banana Plug



Features

- Features insulated binding post for rapid mounting and interchangeability of components.
- Center cross hole of 4.2mm (.166") dia. provides side stack-up connection.

Materials

Binding Post:

- Material: Body – Brass per QQ-B-626, Alloy 360, ½ Hard.
- Finish: Nickel plate per QQ-N-290, Class 2, 200/300 micro-inches.
- Insulation: Polycarbonate. Color: See Ordering Information

Banana Plug:

- Body: Brass per QQ-B-626, Alloy 360, ½ Hard.
- Spring: Beryllium Copper per QQ-C-533, Alloy 172, Cond.
- Finish: Nickel plate per QQ-N-290, Class 2, 200/300 micro-inches.

Insulation:

- Material: Polypropylene molded to Binding Post and Banana Plug bodies.
- Marking: "2894, POMONA ELECTRONICS, CALIF."

Specifications

Operating Voltage:

Hands free usage in controlled voltage environments: 2500 Vrms maximum.

For CE compliance: not intended for hand-held use at voltages above 33 Vrms/70 Vdc.

Operating Temperature: +50°C (+122°F) Max.

Current: 15 Amperes

Ordering Information

Model: 2894-*

*=Color, -0 (Black), -2 (Red)

Ordering Example: 2894-2 (Color of Binding Post collar is Red)

Other colors available upon request.

USA: Sales: 800-490-2361
Technical Support: technicalsupport@pomonatest.com
Fax: 425-446-5844

Europe: 31-(0) 40 2675 150 **International:** 425-446-5500

Where to Buy: www.pomonaelectronics.com

All dimensions are in inches. Tolerances (except noted): .xx = ±.02" (.51 mm), .xxx = ±.005" (.127 mm). All specifications are to the latest revisions. Specifications are subject to change without notice. Registered trademarks are the property of their respective companies.