

Thermostats *SKT Series*



Features

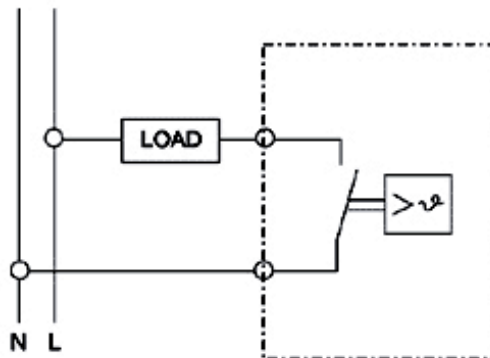
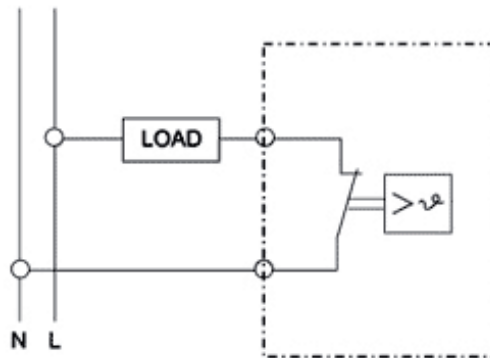
- Designed to provide air temperature control and monitoring in cabinets.
- Thermostat NC (Normally Closed) for the control of heaters and heater fans
- Thermostat NO (Normally Open) for the control of cooling units, or for switching signal transmitters in case of overheating.
- Available in Fahrenheit or Celsius.

NC - Normally Closed (Red)

- Used in conjunction with heaters.
- Contact opens when rising temperatures reach the set point temperature, shutting heater off.

NO - Normally open (Blue)

- Used in conjunction with fans.
- Contact closes when rising temperatures reach the set point temperature, turning fan on.



Part No.	Scale	Contact Type	Dimensions		Switching Capacity	Ship Wt. lbs
			Height x Width x Depth			
SKT011409NC	F°	Normally Closed	2.8 x 1.5 x 1.4		15 A (1) AC 120 V, 10 A (1) AC 250 V	1

Part No.	Scale	Contact Type	Dimensions		Switching Capacity	Ship Wt. lbs
			Height x Width x Depth			
SKT011409NC-C	C°	Normally Closed	2.8 x 1.5 x 1.4		15 A (1) AC 120 V, 10 A (1) AC 250 V	1
SKT011419NO	F°	Normally Open	2.8 x 1.5 x 1.4		15 A (1) AC 120 V, 10 A (1) AC 250 V	1
SKT011419NO-C	C°	Normally Open	2.8 x 1.5 x 1.4		15 A (1) AC 120 V, 10 A (1) AC 250 V	1

Sensor Element:	Thermostatic bi-metal
Switching difference (hysteresis):	+ or - 4°F (+or- 3°K)
Adjustment Range:	30 - 140°F
Noise Suppression:	N (according to VDE 0875)
Connection:	2 pole terminal for AWG 14 (2.5 mm ²)
Mounting:	Easily installed by clip mounting on 35 or 38mm DIN rail (included)
Housing:	Flame retardant plastic UL94VO
Color:	Gray (SB)
Protection:	IP20
Approval:	UL Recognized Component, cUL Recognized Component, CE

Data subject to change without notice